

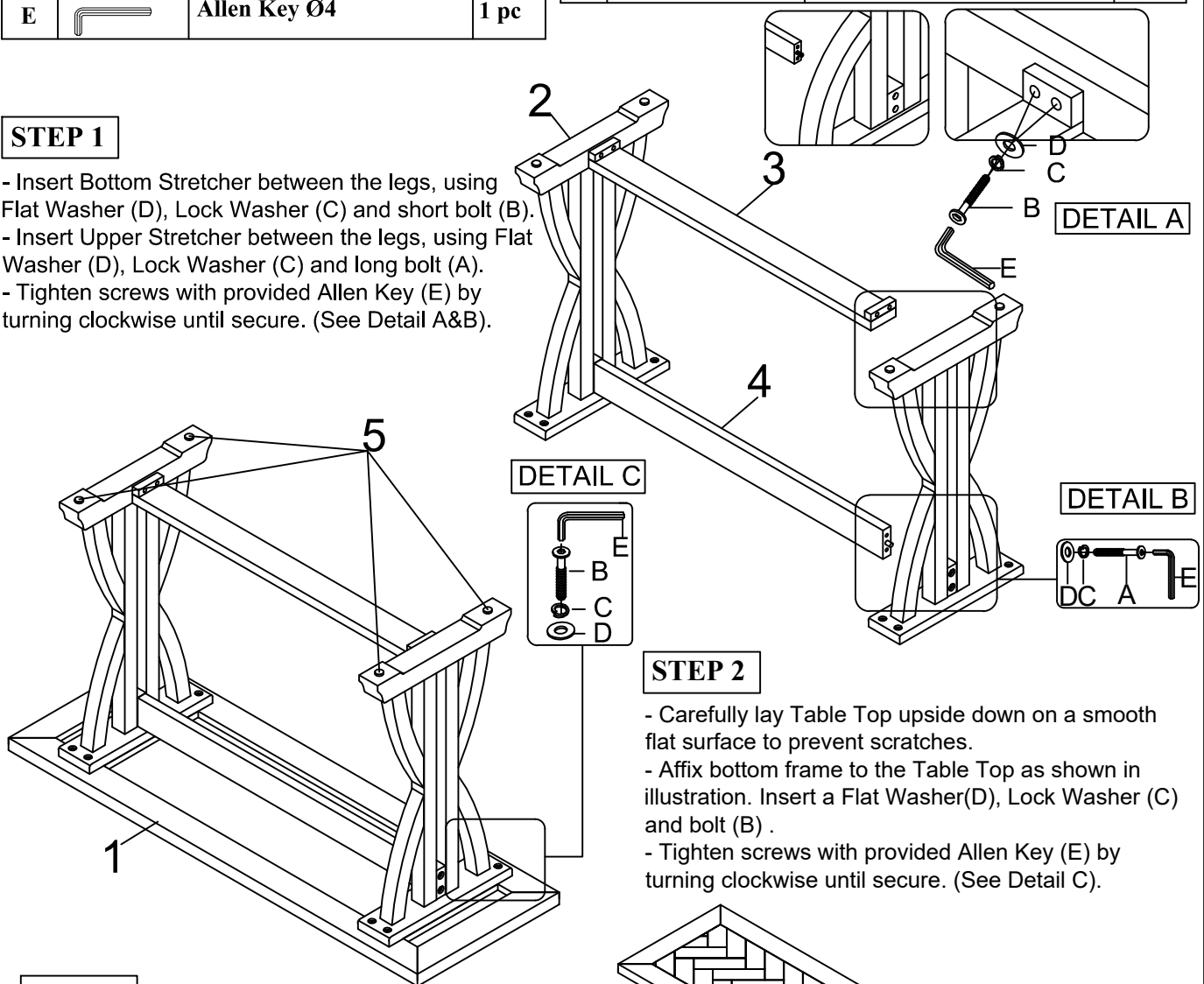
Thank you for purchasing this quality product. Be sure to check all packing material carefully for small parts that may have come loose inside the carton during shipment.

Hardware kit (1934-4P01)			
No		Description	Q'Ty
A		Long Bolt 1/4" x 2"	4 pcs
B		Short Bolt 1/4" x 1.5"	12 pcs
C		Lock washer 5/16"	16 pcs
D		Flat washer 5/16"	16 pcs
E		Allen Key Ø4	1 pc

Parts Key			
No	Code	Description	Q'Ty
1	1934-4P54	Top	1 Pc
2	1934-4P53	Leg Assembly	2 Pcs
3	1934-4P11B	Bottom Stretcher	1 Pc
4	1934-4P11U	Upper Stretcher	1 Pc
5	1934P01F	Floor Glide	4 Pcs

STEP 1

- Insert Bottom Stretcher between the legs, using Flat Washer (D), Lock Washer (C) and short bolt (B).
- Insert Upper Stretcher between the legs, using Flat Washer (D), Lock Washer (C) and long bolt (A).
- Tighten screws with provided Allen Key (E) by turning clockwise until secure. (See Detail A&B).



STEP 2

- Carefully lay Table Top upside down on a smooth flat surface to prevent scratches.
- Affix bottom frame to the Table Top as shown in illustration. Insert a Flat Washer (D), Lock Washer (C) and bolt (B).
- Tighten screws with provided Allen Key (E) by turning clockwise until secure. (See Detail C).

STEP 3

- Insert wooden button to top frame. (See Detail D).

