

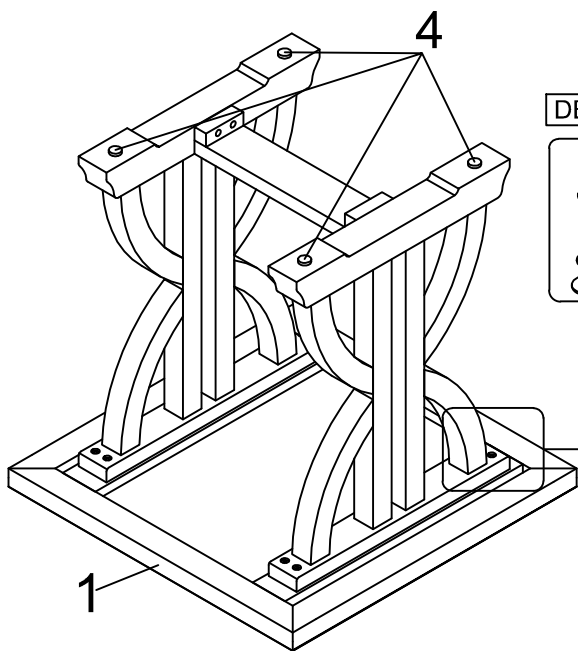
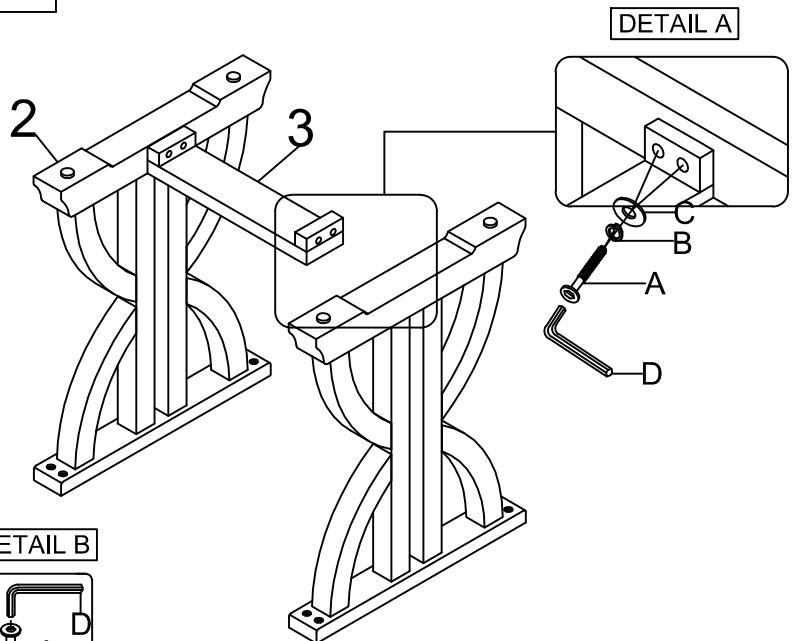
Thank you for purchasing this quality product. Be sure to check all packing material carefully for small parts that may have come loose inside the carton during shipment.

| Hardware kit (1934-3P01) |  |                       |        |
|--------------------------|--|-----------------------|--------|
| No                       |  | Description           | Q'Ty   |
| A                        |  | Short Bolt 1/4"x 1.5" | 12 pcs |
| B                        |  | Lock washer 5/16"     | 12 pcs |
| C                        |  | Flat washer 5/16"     | 12 pcs |
| D                        |  | Allen Key Ø4          | 1 pc   |

| Parts Key |           |              |       |
|-----------|-----------|--------------|-------|
| No        | Code      | Description  | Q'Ty  |
| 1         | 1934-3P54 | Top          | 1 Pc  |
| 2         | 1934-3P53 | Leg Assembly | 2 Pcs |
| 3         | 1934-3P11 | Stretcher    | 1 Pc  |
| 4         | 1934P01F  | Floor Glide  | 4 Pcs |

### STEP 1

- Insert Stretchers between the legs, using Flat Washer (C), Lock Washer (B) and bolt (A),
- Tighten screws with provided Allen Key (D) by turning clockwise until secure. (See Detail A).



### STEP 2

- Carefully lay Table Top upside down on a smooth flat surface to prevent scratches.
- Affix bottom frame to the Table Top as shown in illustration. Insert a Flat Washer (C), Lock Washer (B) and bolt (A).
- Tighten screws with provided Allen Key (D) by turning clockwise until secure. (See Detail B).

