

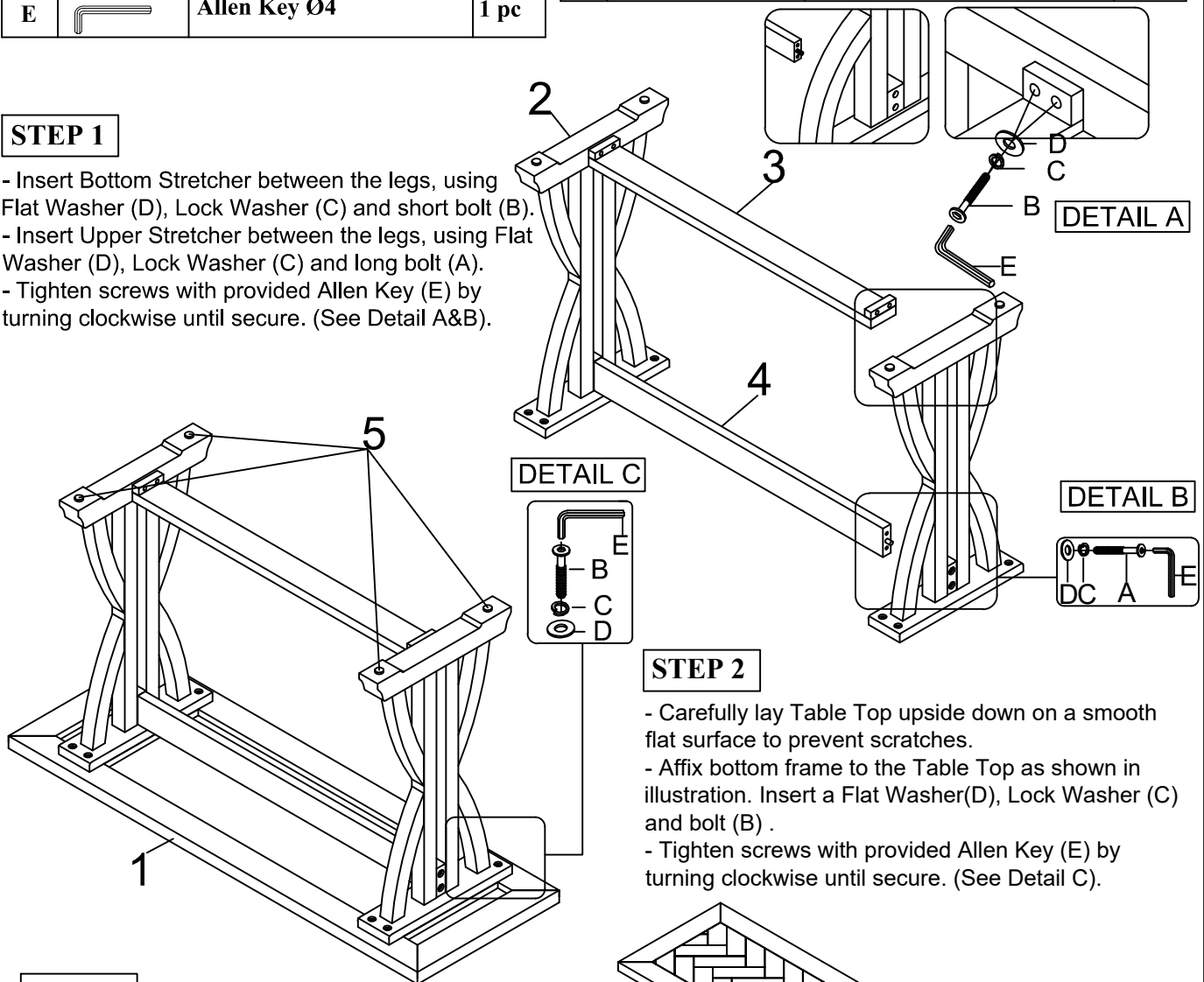
Thank you for purchasing this quality product. Be sure to check all packing material carefully for small parts that may have come loose inside the carton during shipment.

| Hardware kit (1932-4P01) |  |                        |        |
|--------------------------|--|------------------------|--------|
| No                       |  | Description            | Q'Ty   |
| A                        |  | Long Bolt 1/4" x 2"    | 4 pcs  |
| B                        |  | Short Bolt 1/4" x 1.5" | 12 pcs |
| C                        |  | Lock washer 5/16"      | 16 pcs |
| D                        |  | Flat washer 5/16"      | 16 pcs |
| E                        |  | Allen Key Ø4           | 1 pc   |

| Parts Key |            |                  |       |
|-----------|------------|------------------|-------|
| No        | Code       | Description      | Q'Ty  |
| 1         | 1932-4P54  | Top              | 1 Pc  |
| 2         | 1932-4P53  | Leg Assembly     | 2 Pcs |
| 3         | 1932-4P11B | Bottom Stretcher | 1 Pc  |
| 4         | 1932-4P11U | Upper Stretcher  | 1 Pc  |
| 5         | 1932P01F   | Floor Glide      | 4 Pcs |

### STEP 1

- Insert Bottom Stretcher between the legs, using Flat Washer (D), Lock Washer (C) and short bolt (B).
- Insert Upper Stretcher between the legs, using Flat Washer (D), Lock Washer (C) and long bolt (A).
- Tighten screws with provided Allen Key (E) by turning clockwise until secure. (See Detail A&B).



### STEP 2

- Carefully lay Table Top upside down on a smooth flat surface to prevent scratches.
- Affix bottom frame to the Table Top as shown in illustration. Insert a Flat Washer (D), Lock Washer (C) and bolt (B).
- Tighten screws with provided Allen Key (E) by turning clockwise until secure. (See Detail C).

### STEP 3

- Insert wooden button to top frame. (See Detail D).

