

Thank you for purchasing this quality product. Be sure to check all packing material carefully for small parts that may have come loose inside the carton during shipment.

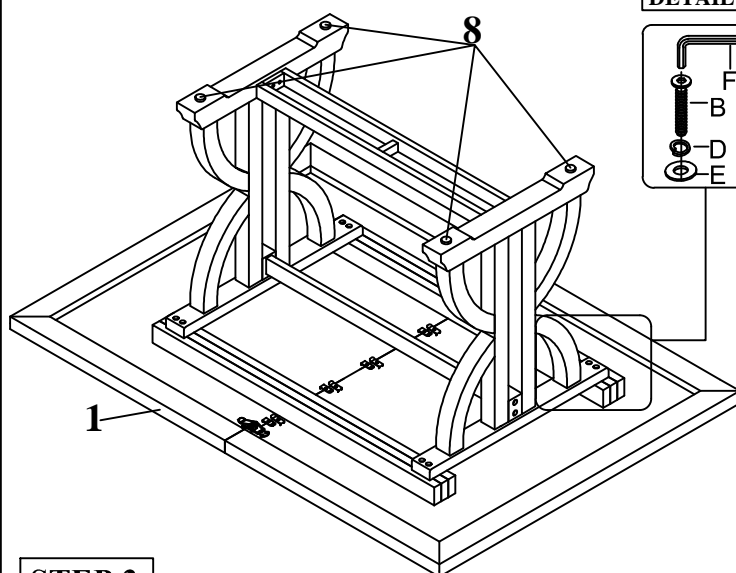
Hardware kit (1931-78TP01)				Parts Key			
No	Description		Q'Ty	No	Code	Description	Q'Ty
A		Long Bolt 5/16" x 3"	4 pcs	1		Table Top	1 Pc
B		Medium Bolt 5/16" x 2"	8 pcs	2	1931-78TP13	Extension Mechanism	1 Set
C		Short Bolt 5/16" x 1.5"	4 pcs	3	1931-78TP13L	Extension Lock	4 Sets
D		Lock washer 5/16"	16 pcs	4		Bottom Stretcher	1 Pc
E		Flat washer 5/16"	16 pcs	5		Upper Stretcher	1 Pc
F		Allen Key Ø4	1 pc	6		Leg Assembly-Counter Height 36"	2 Pcs
				7		Leg Assembly-Dining Height 30"	2 Pcs
				8	1931-78BP01F	Floor Glide	4 Pcs

PLEASE NOTE

- Depending on which height table is ordered, table will use either part # 6- Leg Assembly for the 36" high Counter Table or part # 7- Leg Assembly for the 30" high Dining Table.

STEP 1

- Insert Bottom Stretcher between the legs, using Flat Washer (E), Lock Washer (D) and short bolt (C):
- Insert Upper Stretcher between the legs, using Flat Washer (E), Lock Washer (D) and long bolt (A).
- Tighten screws with provided Allen Key (F) by turning clockwise until secure. (See Detail A&B).



STEP 2

- Carefully lay Table Top upside down on a smooth flat surface to prevent scratches.
- Affix bottom frame to the Table Top as shown in illustration. Insert a Flat Washer (E), Lock Washer (D) and medium bolt (B).
- Tighten screws with provided Allen Key (F) by turning clockwise until secure. (See Detail C).

STEP 3

- To fully extend the table, open both ends as far as possible. Carefully place the Table Leaf into the open position as show.
- Insert wooden button to top frame.(See Detail D).

