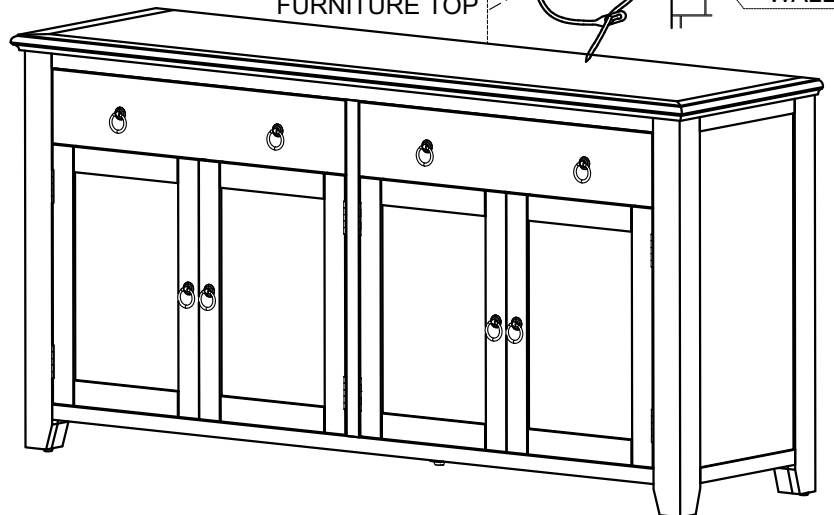
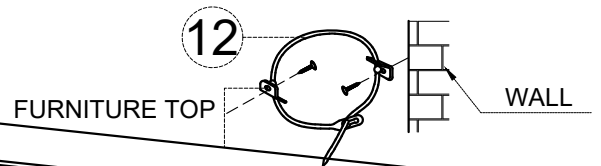
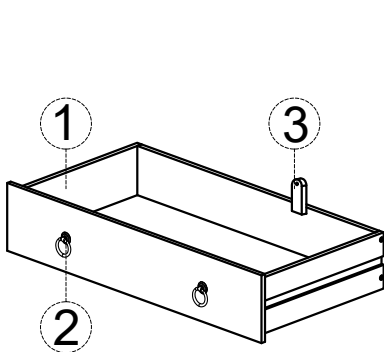
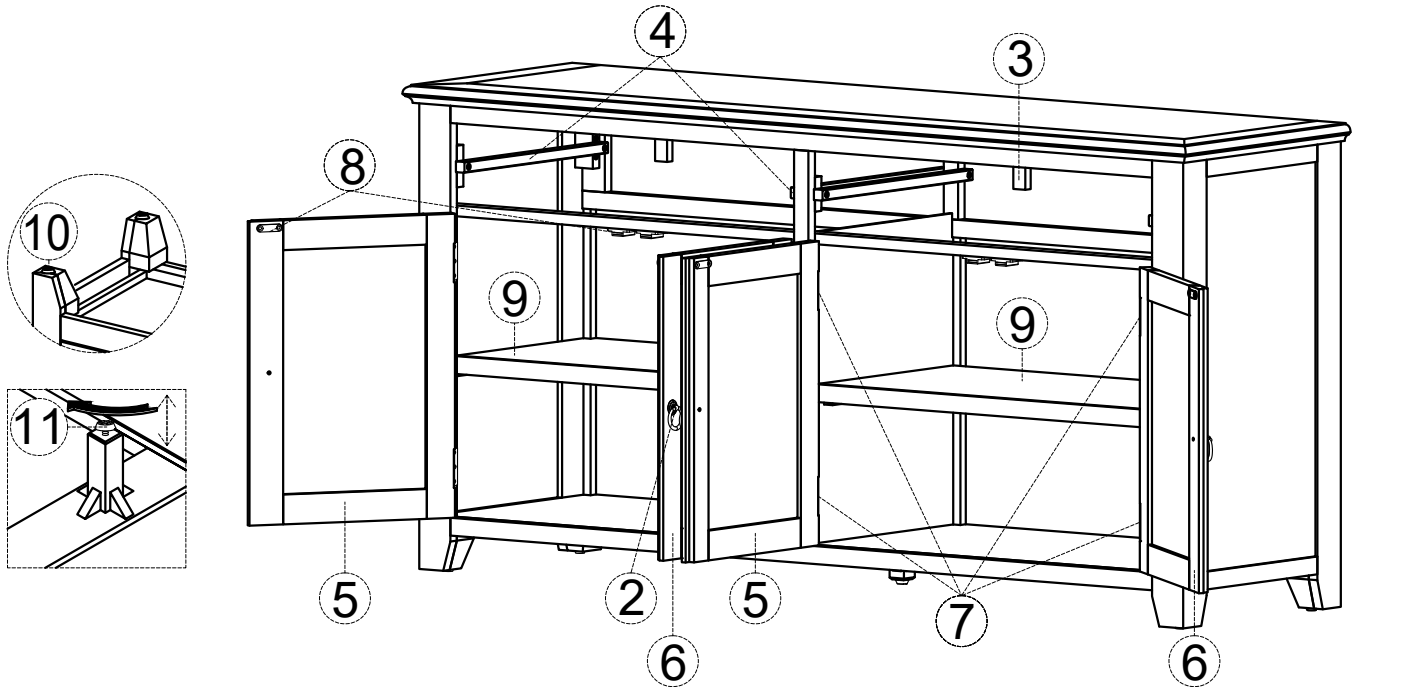


Thank you for purchasing this quality product. Be sure to check all packing material carefully for small parts that may have come loose inside the carton during shipment.

Parts key							
No	Code	Qty	Description	No	Code	Qty	Description
1	1901-64P05	2 pcs	Complete Drawer	7	1901P07H	8 pcs	Door Hinge
2	1901P04	8 sets	Door/Drawer Pull w/Screw	8	1901P01D	4 sets	Door Catch
3	1901P05A	2 pcs	Drawer Stop	9	1901-64P08	2 pcs	Shelf Assembly
4	1901-64P06	4 pcs	Drawer Wooden Glide	10	1901P01F	4 pcs	Floor Glide
5	1901-64P07L	2 pcs	Left Facing Door	11	1901P01L	1 pc	Floor Leveler
6	1901-64P07R	2 pcs	Right Facing Door	12	1901P01AT	1 set	Anti-Tip Kit







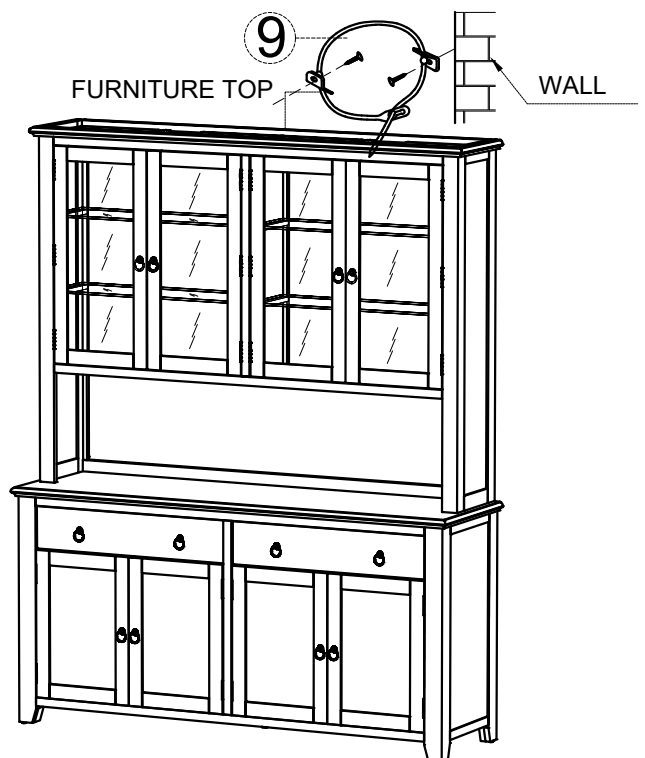
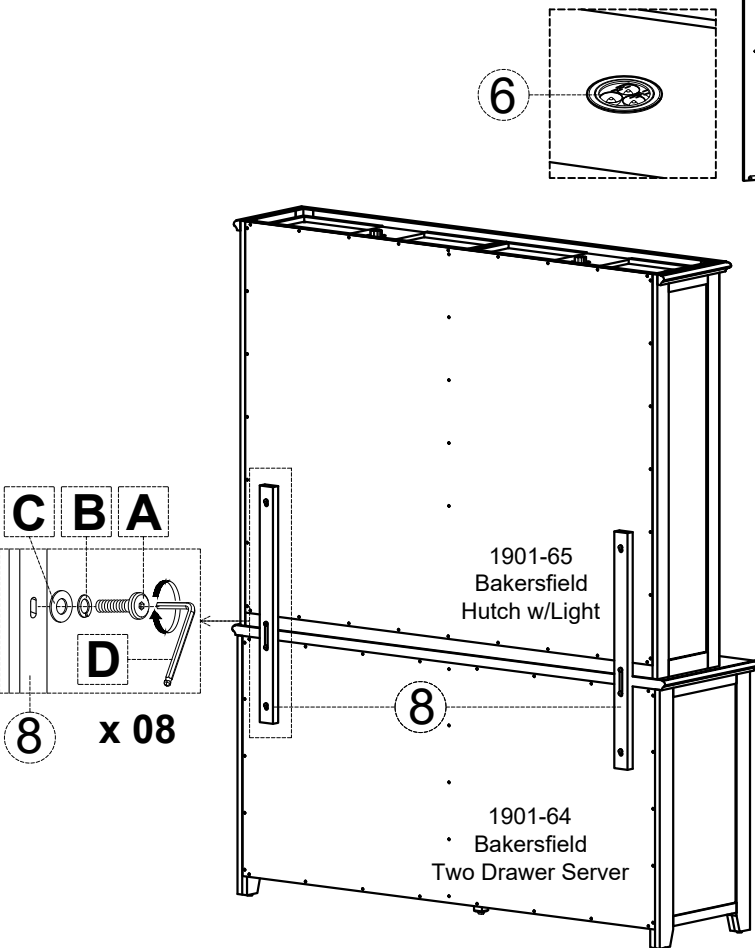
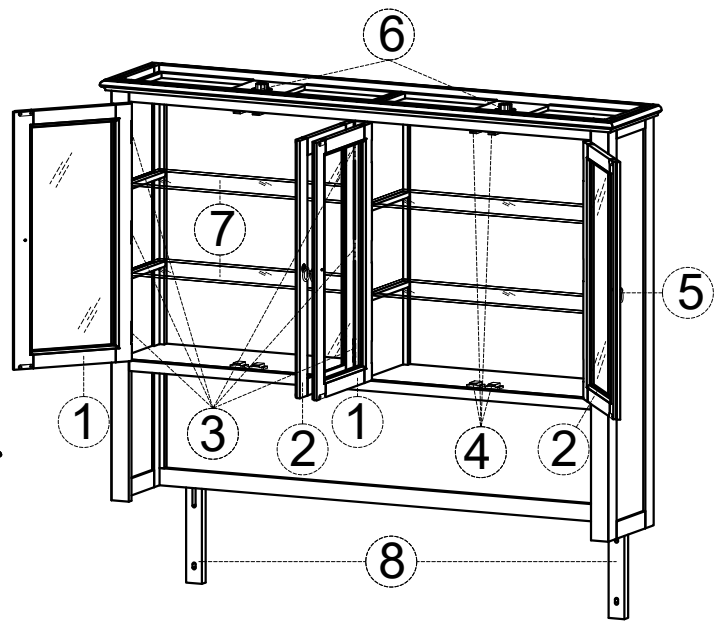
**PLEASE NOTE :**

To help prevent the possibility of tip-over, Install the ANTI- TIP OVER restraint provided.

## ASSEMBLY INSTRUCTIONS & PARTS IDENTIFICATION MODEL # 1901-65 BAKERSFIELD HUTCH w/ LIGHT

Thank you for purchasing this quality product. Be sure to check all packing material carefully for small parts that may have come loose inside the carton during shipment.

Parts key				Hardware kit # 1901-65P01			
No	Code	Qty	Description	No	Description		Qty
1	1901-65P07L	2 pcs	Left Facing Door	A	 Bolt	M6 x 45	08 pcs
2	1901-65P07R	2 pcs	Right Facing Door	B	 Lock washer	M8	08 pcs
3	1901P07H	12 pcs	Door Hinge	C	 Flat washer	M8 x 18	08 pcs
4	1901P01D	8 sets	Door Catch	D	 Allen Key	K4	01 pc
5	1901P04	4 pcs	Door Pull w/Screw				
6	1901-65P17	2 pcs	Spot Light				
7	1901-65P08	4 pcs	Glass Shelf				
8	1901-65P29	2 pcs	Support Bracket				
9	1901P01AT	1 set	Anti-Tip Kit				



PLEASE NOTE :  
To help prevent the possibility of tip-over,  
Install the ANTI- TIP OVER restraint provided.