



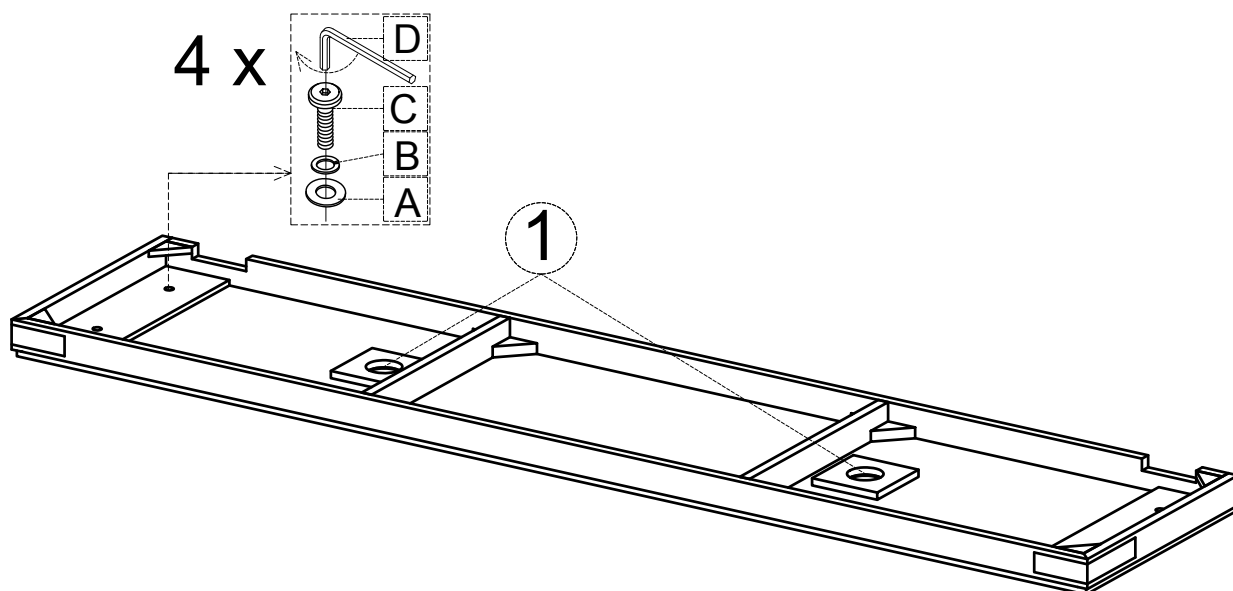
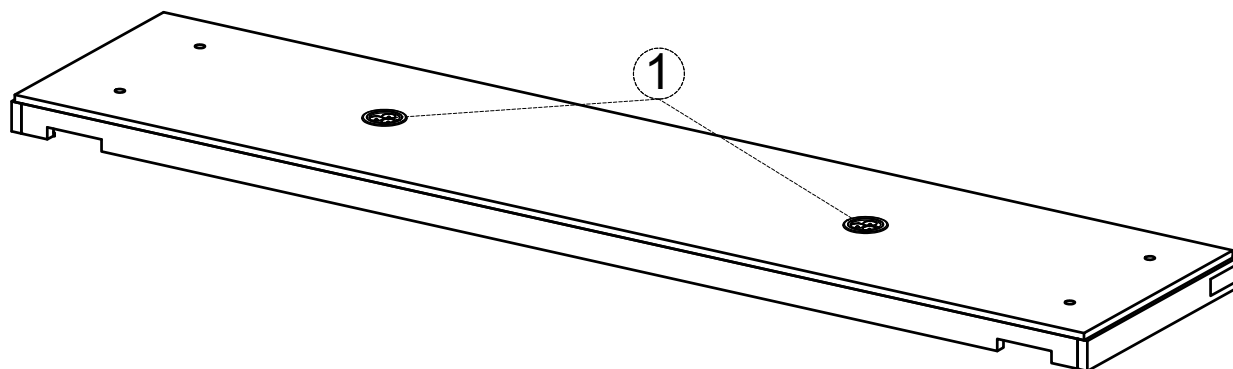


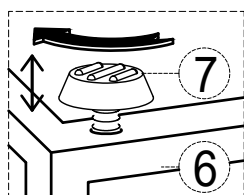
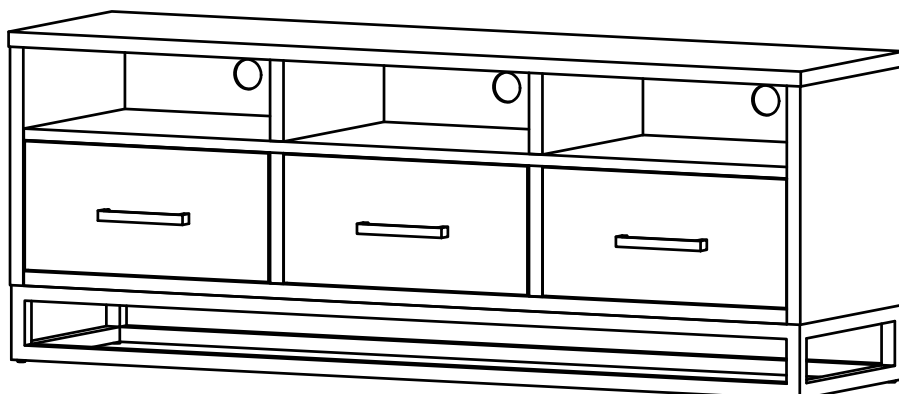
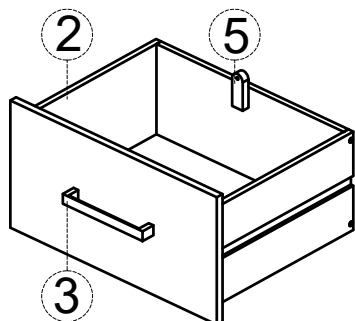
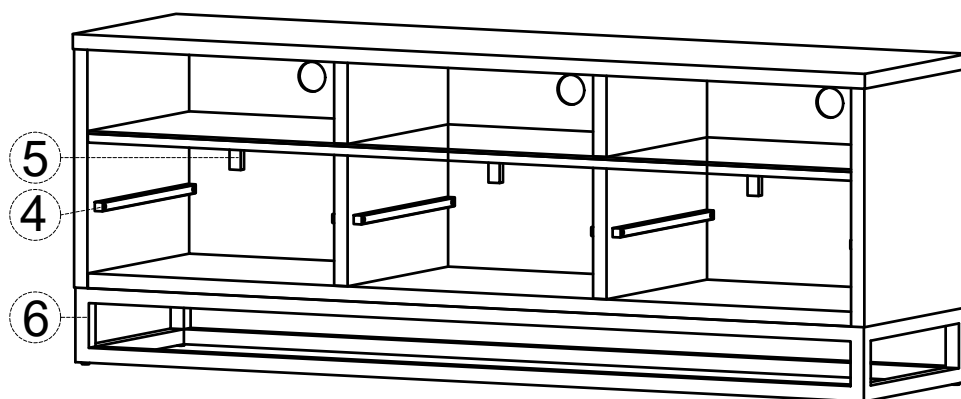
Thank you for purchasing this quality product. Be sure to check all packing material carefully for small parts that may have come loose inside the carton during shipment.

Parts key				Hardware kit #1862-78P01		
No	Code	Qty	Description	No	Description	Qty
1	1862-78P17	1 set	Spot Light SKU	A	 Flat washer	M8 x 18 4 pcs
				B	 Lock washer	M8 4 pcs
				C	 Bolt	M6 x 30 4 pcs
				D	 Allen Key	K4 1 pc



Thank you for purchasing this quality product. Be sure to check all packing material carefully for small parts that may have come loose inside the carton during shipment.

Parts key							
No	Code	Qty	Description	No	Code	Qty	Description
1	1862-70P54	1 pc	Storage Box	5	1862P05A	3 pcs	Drawer Stop
2	1862-70P05	3 pcs	Complete Drawer	6	1862-70P53	1 pc	Leg Assembly
3	1862-70P04	3 sets	Pull w/Screws	7	1862P01L	4 pcs	Floor Leveler
4	1862-70P06	6 pcs	Drawer Glide				



Thank you for purchasing this quality product. Be sure to check all packing material carefully for small parts that may have come loose inside the carton during shipment.

Parts key							
No	Code	Qty	Description	No	Code	Qty	Description
1	1862-22P54	1 pc	Storage Box	8	1862-22P08	2 pcs	Glass Shelf
2	1862-22P05A	1 pc	Top Drawer Complete	9	1862P08P	8 pcs	Shelf Pin
3	1862-22P05B	1 pc	Bottom Drawer Complete	10	1862-22P53	1 pc	Leg Assembly
4	1862-22P04	2 sets	Pull w/Screws	11	1862P01L	4 pcs	Floor Leveler
5	1862-22P06	4 pcs	Drawer Glide	12	1862P01AT	1 pc	Anti - tip kit
6	1862P05A	2 pcs	Drawer Stop				
7	1862P17S	1 set	Single Spot Light	<b>Hardware kit #1862-22P01</b>			

**PLEASE NOTE :**

To help prevent the possibility of tip-over,  
Install the ANTI- TIP OVER restraint provided.

No	Description	Qty
A	Metal plate	2 pcs
B	Bolt	M6 x 15 4 pcs
C	Lock washer	M8 4 pcs
D	Flat washer	M8 x 16 4 pcs
E	Allen Key	K4 1 pc

