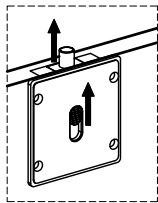
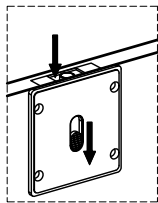


Thank you for purchasing this quality product. Be sure to check all packing material carefully for small parts that may have come loose inside the carton during shipment.

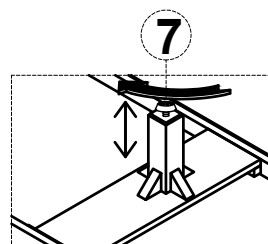
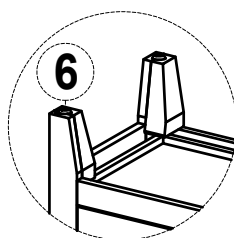
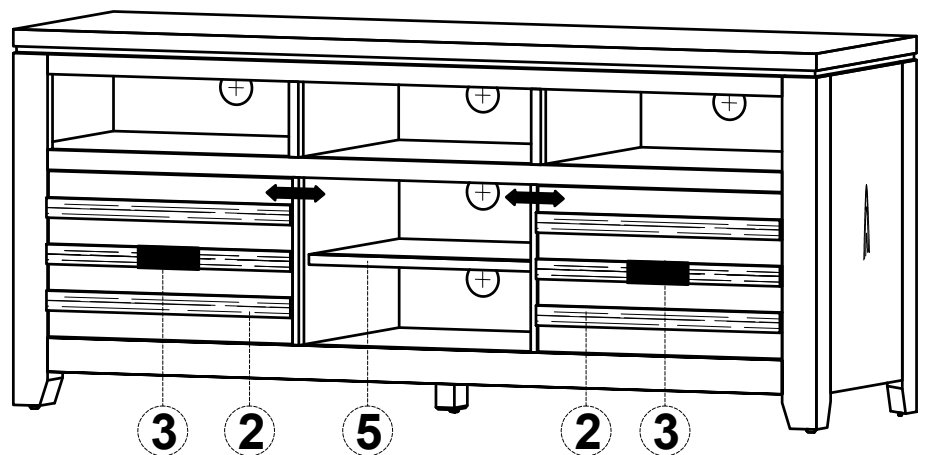
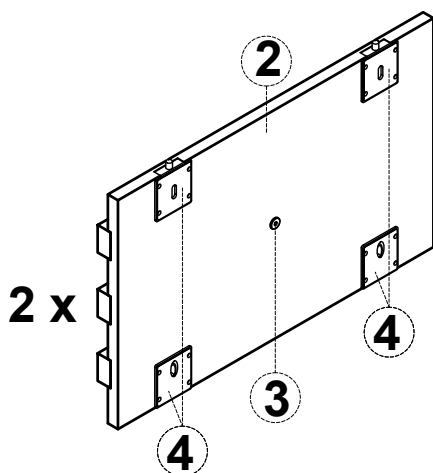
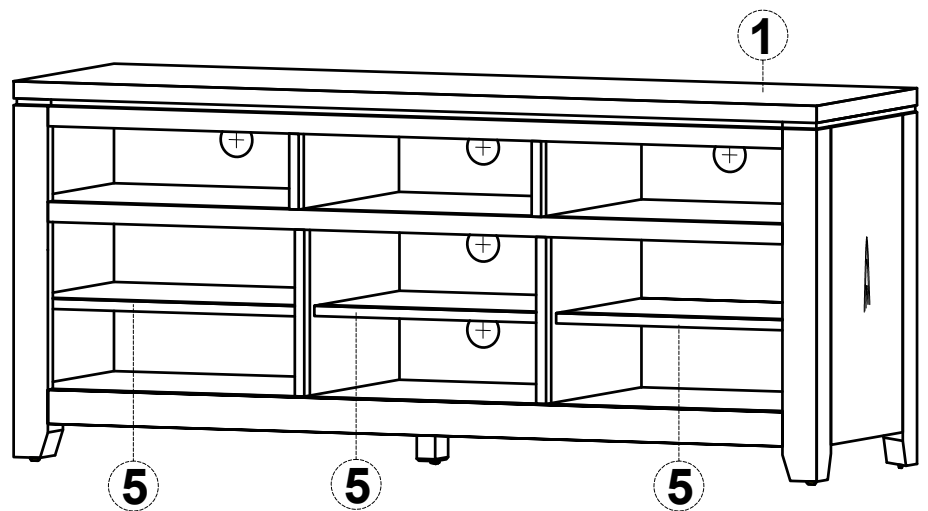
Parts key							
No	Code	Qty	Description	No	Code	Qty	Description
1	1854-70P51	1 pc	Storage Box	5	1854-70P08	3 pcs	Shelf
2	1854-70P07	2 pcs	Sliding Door	6	1854P01F	4 pcs	Floor Glide
3	1854P04	2 sets	Pull w/Screws	7	1854P01L	1 pc	Floor Leveler
4	1854P07S	4 sets	Sliding wheel & Lock w/Screws - 2 pcs				



TO REACTIVATE DOOR PIN, PRESS THE BUTTON WHEN IN THE BOTTOM POSITION



TO RELEASE DOOR PIN, MOVE THE BUTTON TO THE BOTTOM POSITION



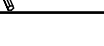


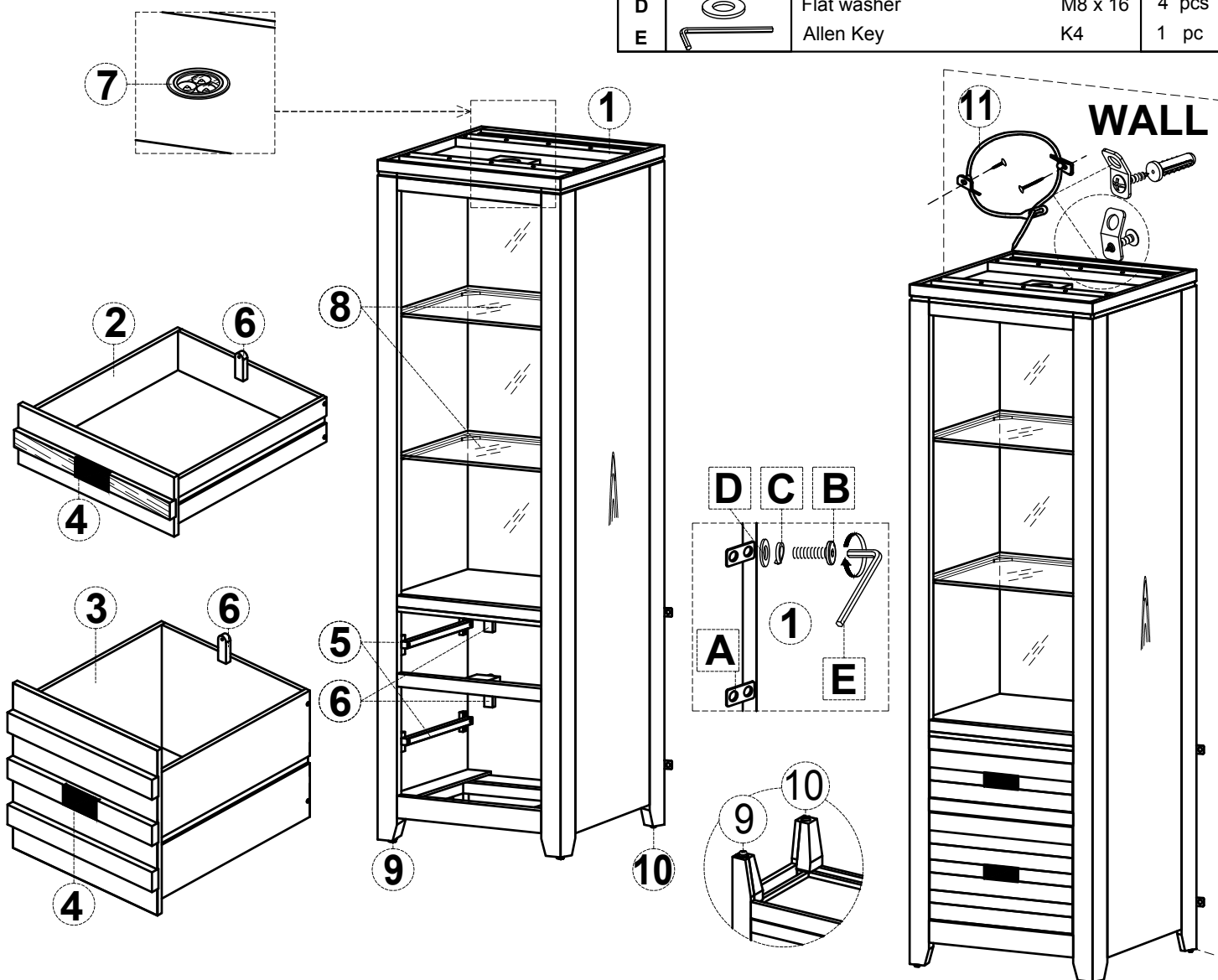
Thank you for purchasing this quality product. Be sure to check all packing material carefully for small parts that may have come loose inside the carton during shipment.

Parts key							
No	Code	Qty	Description	No	Code	Qty	Description
1	1852-22P51	1 pc	Storage Box	7	1852P17	1 pc	Single Spot Light
2	1852-22P05T	1 pc	Top Drawer Complete	8	1852-22P08	2 pcs	Glass Shelf
3	1852-22P05B	1 pc	Bottom Drawer Complete	9	1852P01L	2 pcs	Floor Leveler
4	1852-22P04	2 sets	Pull w/Screws	10	1852P01F	2 pcs	Floor Glide
5	1852-22P06	4 pcs	Drawer Glide	11	1852P01AT	1 pc	Anti - tip kit
6	1852P05A	2 pcs	Drawer Stop				





PLEASE NOTE :

To help prevent the possibility of tip-over, Install the ANTI-TIP OVER restraint provided.

Hardware kit #1852-22P01			
No	Description		Qty
A	 Metal plate		2 pcs
B	 Bolt	M6 x 15	4 pcs
C	 Lock washer	M8	4 pcs
D	 Flat washer	M8 x 16	4 pcs
E	 Allen Key	K4	1 pc



Thank you for purchasing this quality product. Be sure to check all packing material carefully for small parts that may have come loose inside the carton during shipment.

Parts key				Hardware kit #1854-78P01		
No	Code	Qty	Description	No	Description	Qty
1	1854-78P17	1 set	Double Spot Light	A	 Flat washer	M8 x 18 4 pcs
				B	 Lock washer	M8 4 pcs
				C	 Bolt	M6 x 30 4 pcs
				D	 Allen Key	K4 1 pc

