

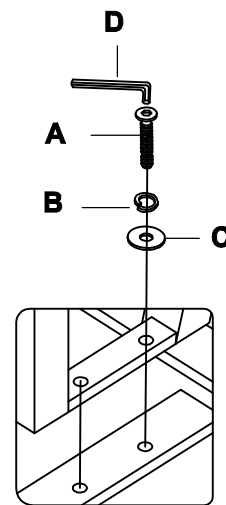
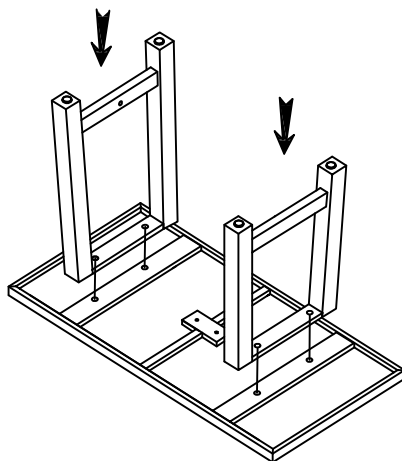
Thank you for purchasing this quality product. Be sure to check all packing material carefully for small parts that may have come loose inside the carton during shipment.

Hardware kit (1839-72P01)			
No	Description	Q'Ty	
A	Bolt 1/4" x 1-1/2"	8 pcs	
B	Lock washer 5/16"	8 pcs	
C	Flat washer 5/16"	8 pcs	
D	Allen Key	1 pc	

Parts Key			
No	Code	Description	Q'Ty
1	1839-72P24	Table Top	1 Pc
2	1839-72P53	Leg Assembly	2 Pcs
3	1839-72P44	Side Stretcher	2 Pcs
4	1839P01FT	Table Floor Glide	4 Pcs

STEP 1

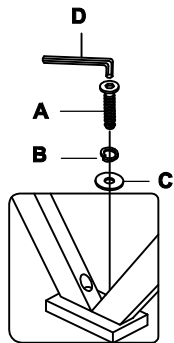
- Carefully place the Table Top on the smooth surface.
- Attach the two Leg Assemblies to Table Top with Bolts (A), Lock Washers (B) & Flat Washer (C) using the Allen key (D). Do not tighten the bolts at this step. (See Detail A).



DETAIL A

STEP 2

- Attach the Side Stretcher between the Leg Assembly and the Table Top with Bolts (A), Lock Washers (B) & Flat Washer (C) using Allen key (D). Tighten all bolts at this step. (See Detail B) & (See Detail C).



DETAIL C

DETAIL B

