





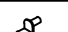

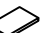



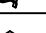

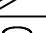
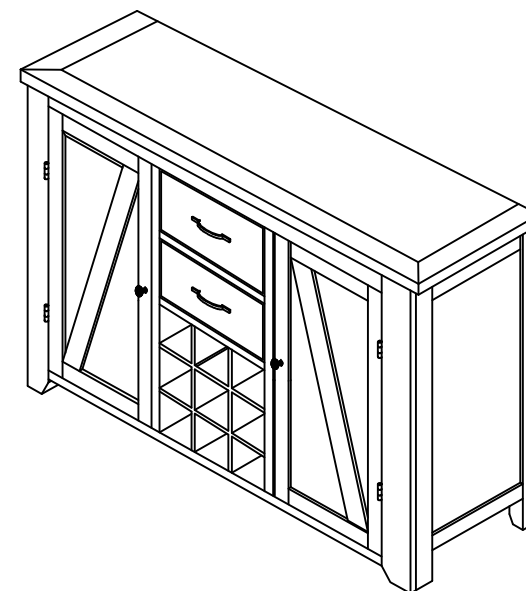
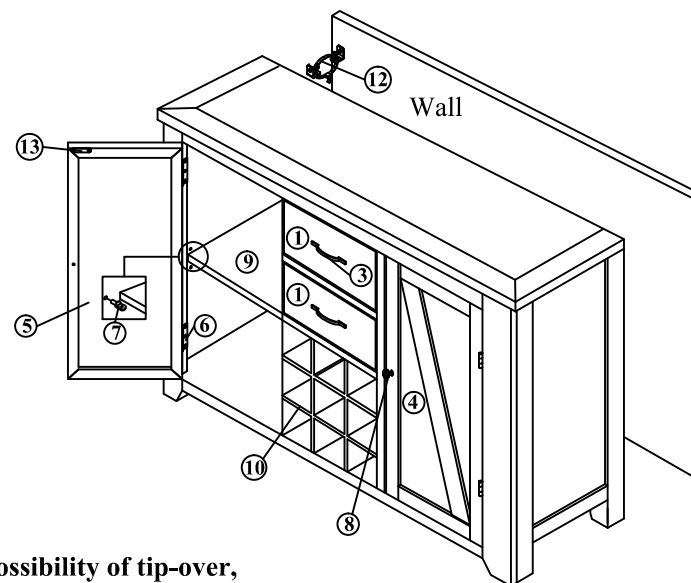
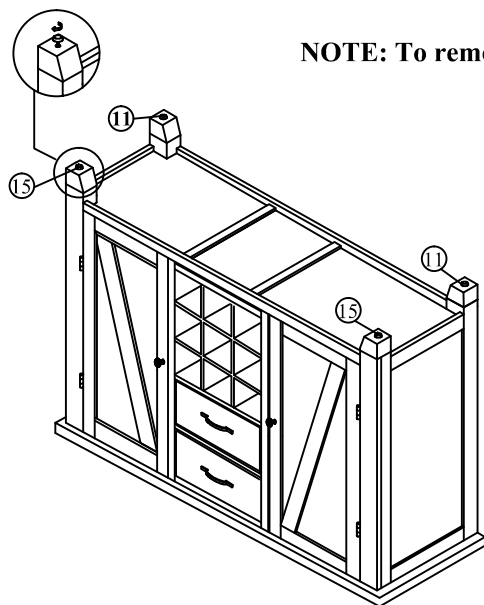


No	Description	Code	Q'Ty
1	 Drawer	1838/9-95P05	2 pcs
2	 Drawer stop	1838/9-95P05A	2 pcs
3	 Drawer pull w/ screws	1838/9-95P04	2 pcs
4	 Right side facing door	1838/9-95P07R	1 pc
5	 Left side facing door	1838/9-95P07L	1 pc
6	 Door hinge	1838/9-95P07H	4 pcs
7	 Shelf pin	1838/9-95P08P	4 pcs

No	Description	Code	Q'Ty
8	 Door pull w/ screws	1838/9-95P04A	4 pcs
9	 Shelf	1838/9-95P08	2 pcs
10	 Bottle rack	1838/9-95P20W	1 pc
11	 Floor glide	1838/9-95P01F	2 pcs
12	 Anti tip hardware	1838/9-95P01AT	1 set
13	 Door catch set	1838/9-95P01D	2 sets
14	 Drawer glide	1838/9-95P06	4 sets
15	 Leveler	1838/9-95P01L	2 pcs

**NOTE:** To remove the drawer, depress the plastic stop mounted on the cross support under the drawer before pulling out the drawer.



**★ PLEASE NOTE:** To help prevent the possibility of tip-over, install the tipover restraint provided.