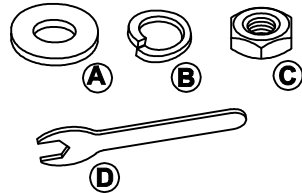


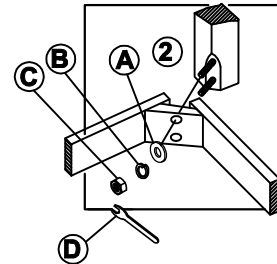
### Table Hardware Kit (1826PO1)



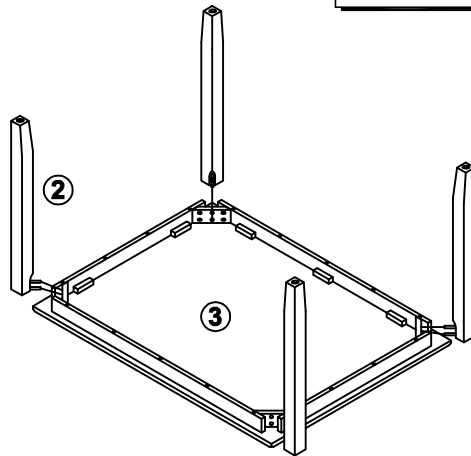
Ltr	Qty	Description
A	8 pcs	Flat Washer
B	8 pcs	Lock Washer
C	8 pcs	Nut Ø5/16"
D	1 pc	Key Wrench

### Table Parts Key

No	Code	Qty	Description
1	1826P01FT	4 pcs.	Table Floor Glide
2	1826P02	4 pcs.	Table Leg
3	1826P24	1 pc.	Table top



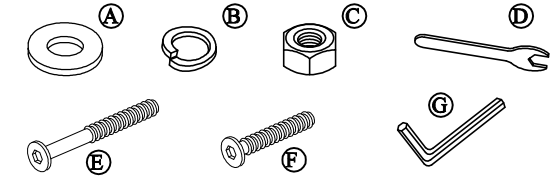
**Detail A**



### STEP 1

- Carefully lay table top upside down on a smooth flat surface to prevent scratches.
- Affix a leg to each corner of the table top as shown in Detail A using a flat washer , lock washer and nut .
- Once all legs are in place, fully tighten the nuts

### Chair Hardware Kit (1826P46)



Ltr	Qty	Description
A	22 pcs.	Flat Washer
B	22 pcs.	Lock Washer
C	8 pcs.	Nut Ø5/16"
D	2 pcs.	Key Wrench
E	8 pcs.	Long KD. Bolt Ø1/4"x 3".
F	6 pcs.	Short KD. Bolt Ø1/4"x 1.5".
G	2 pcs.	Allen Wrench
H	12 pcs.	Screw Ø1/6" x 1-1/2".

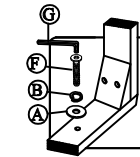
### Chair Parts Key

No	Code	Qty	Description
5	1826P01F	8 pcs.	Chair/Bench Floor Glide
6	1826P40	2 pcs.	Chair Back
7	1826P41	2 pcs.	Complete Seat
8	1826P42	2 pcs.	Right Facing Front Leg
9	1826P43	2 pcs.	Left Facing Front Leg
10	1826P44	2 pcs.	Right Facing Side Stretcher
11	1826P45	2 pcs.	Left Facing Side Stretcher
12	1826P49	2 pcs.	Front Stretcher

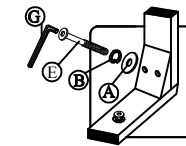
\* Quantities noted are for a total of two chairs.

### STEP 1

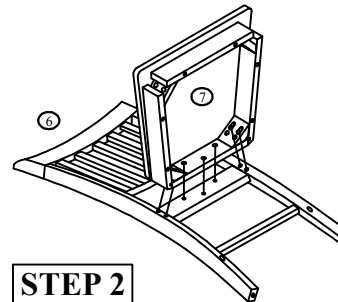
- Carefully lay chair back flat on a smooth flat surface to prevent scratches.
- Affix the complete seat to chair back, as shown in Detail A, using a flat washer, lock washer and short KD bolt.
- Secure complete seat to chair back corners, as shown in Detail B, using a flat washer, lock washer and long KD bolt. -- Tighten screws with provided Allen Wrench.



**Detail A**



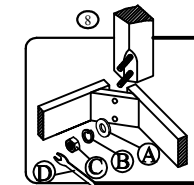
**Detail B**



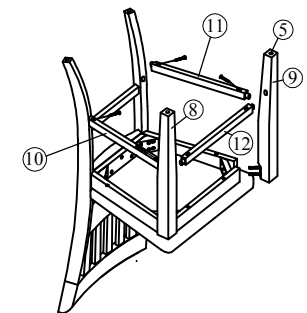
**Detail C**

### STEP 2

- Carefully turn Chair upside down and attach each Leg to the front corners of the Complete Seat. Noting Right and Left Side Leg.
- Place Flat Washer, Lock Washer and Nut on for each bolt, using provided Key Wrench.
- Do not fully tighten the Nuts at this stage until all the parts are in position (See Detail C).
- Insert 2 Side Stretchers between the Front Legs and Back Legs (Noting Right and Left Side Stretcher), and insert the Front Stretcher between the Front Legs; fasten with Wood Screw using phillip-head screwdriver. (not provided). (See Detail D)
- Be sure to tighten all screws and nuts prior to using Chair.



### DETAIL D

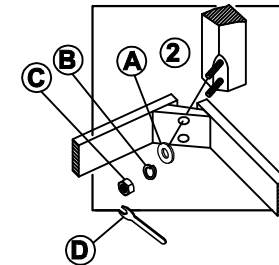
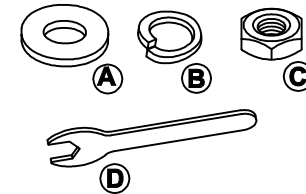


### Bench Hardware Kit (1826P46B)

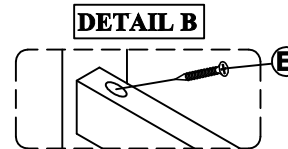
Ltr	Qty	Description
A	8 pcs	Flat Washer
B	8 pcs	Lock Washer
C	8 pcs	Nut Ø5/16"
D	1 pc	Key Wrench
E	6 pcs	Screw Ø1/6" x 1-1/2"

### Bench Parts Key

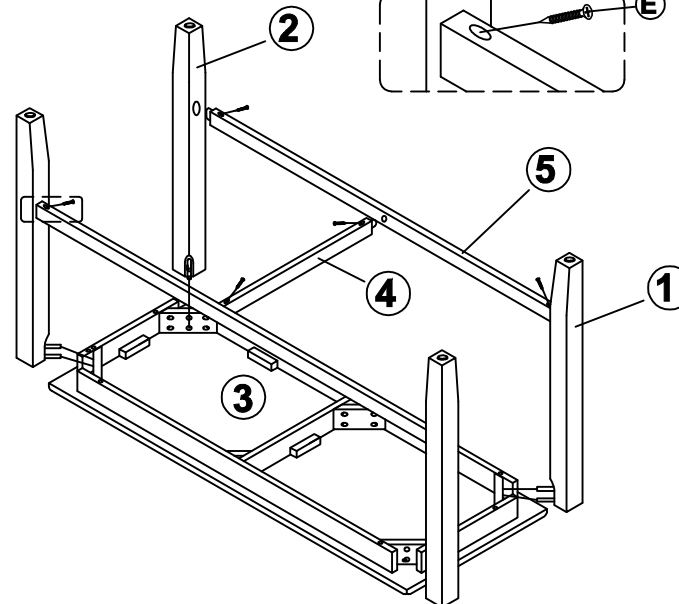
No	Code	Qty	Description
1	1826P42B	2 pcs.	Right Facing Bench Leg
2	1826P43B	2 pcs.	Left Facing Bench Leg
3	1826P41B	1 pc.	Bench Seat
4	1826P44BS	1 pc.	Short Bench Stretcher
5	1826P44BL	2 pcs.	Long Bench Stretcher
6	1826P01F	4 pcs.	Chair/Bench Floor Glide



Detail A



DETAIL B



### STEP 1

- Carefully lay bench seat upside down on a smooth flat surface to prevent scratches.
- Affix a leg to each corner of the bench seat as shown in Detail A using a flat washer, lock washer and nut.
- Insert 2 Long Stretchers then insert the Short Stretcher between 2 Long Stretcher; fasten with Wood Screw using phillip-head screwdriver. (not provided).(See Detail B)
- Once all legs are in place, fully tighten the nuts