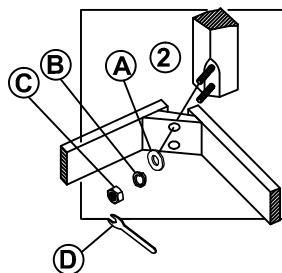
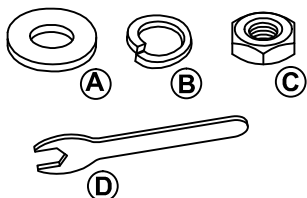
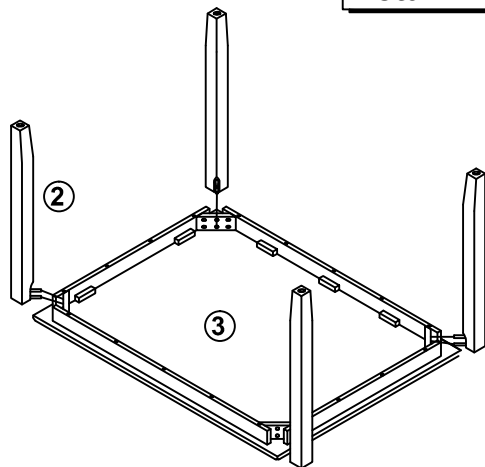


Table Hardware Kit (1805PO1)

| Ltr | Qty | Description |
|-----|-------|-------------|
| A | 8 pcs | Flat Washer |
| B | 8 pcs | Lock Washer |
| C | 8 pcs | Nut Ø5/16" |
| D | 1 pc | Key Wrench |



Detail A

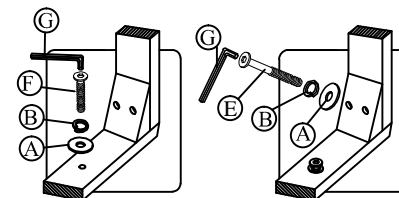
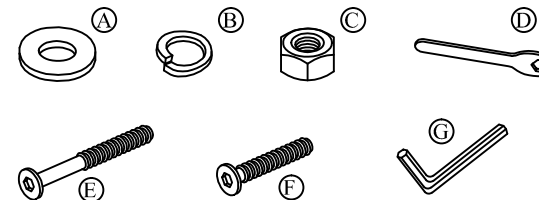


STEP 1

- Carefully lay table top upside down on a smooth flat surface to prevent scratches.
- Affix a leg to each corner of the table top as shown in Detail A using a flat washer, lock washer and nut.
- Once all legs are in place, fully tighten the nuts

Chair Hardware Kit (1805P46)

| Ltr | Qty | Description |
|-----|---------|----------------------------|
| A | 22 pcs. | Flat Washer 5/16" |
| B | 22 pcs. | Lock Washer 5/16" |
| C | 8 pcs. | Nut 5/16" |
| D | 1 pc. | Key Wrench |
| E | 8 pcs. | Long KD. Bolt 1/4"x 3". |
| F | 6 pcs. | Short KD. Bolt 1/4"x 1.5". |
| G | 1 pc. | Allen Wrench |



Detail A

Detail B

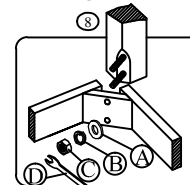
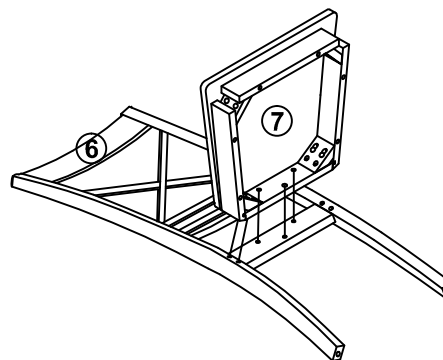
Chair Parts Key

| No | Code | Qty | Description |
|----|---------------|--------|-------------------------|
| 5 | 1805P01F | 8 pcs. | Chair/Bench Floor Glide |
| 6 | | 2 pcs. | Chair Back |
| 7 | 1805-373KDP41 | 2 pcs. | Complete Seat |
| 8 | 1805-373KDP42 | 4 pcs. | Front Chair Leg |

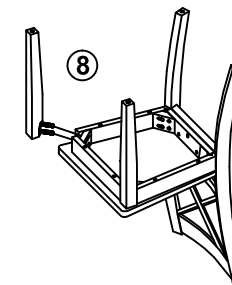
* Quantities noted are for a total of two chairs.

STEP 1

- Carefully lay chair back flat on a smooth flat surface to prevent scratches.
- Affix the complete seat to chair back, as shown in Detail A, using a flat washer, lock washer and short KD bolt.
- Secure complete seat to chair back corners, as shown in Detail B, using a flat washer, lock washer and long KD bolt. - - Tighten screws with provided Allen Wrench.



Detail C



STEP 2

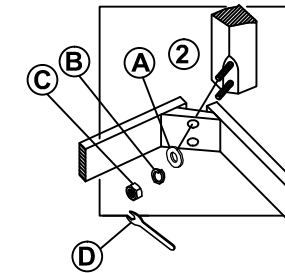
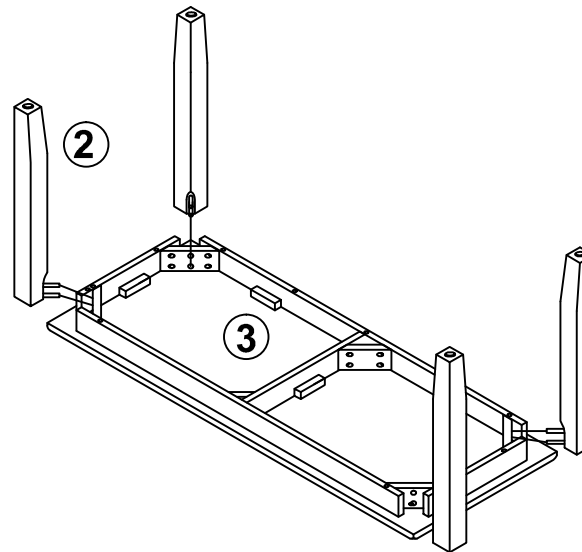
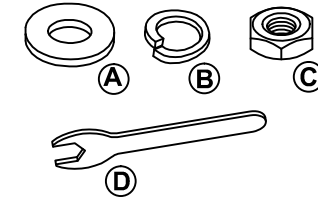
- Carefully turn chair upside down and affix each Leg to the front corner of the complete seat, as shown in Detail C, using a flat washer, lock washer, and nut.
- Turn chair upright and make sure it is level before fully tightening all bolts and nuts.
- Be sure to tighten all screws prior to using chair.

Bench Hardware Kit (1805P46B)

| Ltr | Qty | Description |
|-----|-------|-------------|
| A | 8 pcs | Flat Washer |
| B | 8 pcs | Lock Washer |
| C | 8 pcs | Nut Ø5/16" |
| D | 1 pc | Key Wrench |

Bench Parts Key

| No | Code | Qty | Description |
|----|----------|--------|-------------------------|
| 1 | 1805P01F | 4 pcs. | Chair/Bench Floor Glide |
| 2 | 1805P42B | 4 pcs. | Bench Leg |
| 3 | | 1 pc. | Bench Seat |



Detail A

STEP 1

- Carefully lay bench seat upside down on a smooth flat surface to prevent scratches.
- Affix a leg to each corner of the bench seat as shown in Detail A using a flat washer , lock washer and nut .
- Once all legs are in place, fully tighten the nuts