



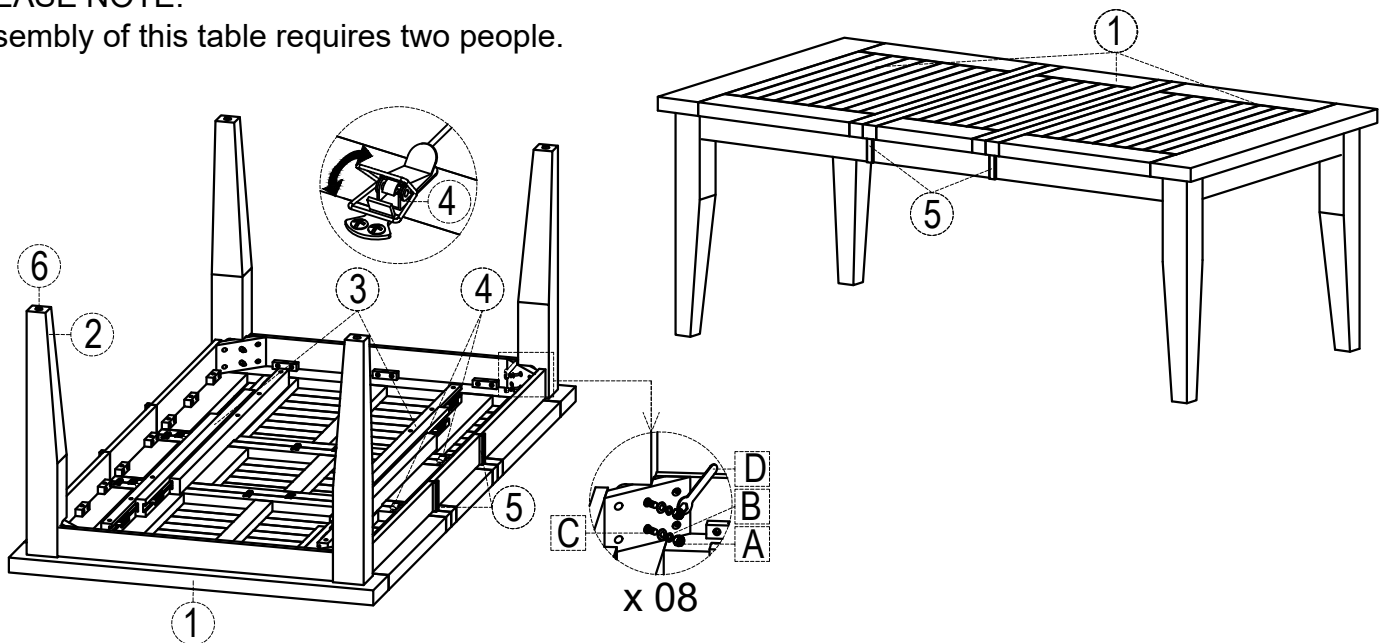


Thank you for purchasing this quality product. Be sure to check all packing material carefully for small parts that may have come loose inside the carton during shipment.

Parts key				Hardware kit #1801-78P01			
No	Code	Qty	Description	No	Description		Qty
1	1801-78P24	1 pc	Table Top	A	 Hex Nut	Ø7.8	8 pcs
2	1801-78P02	4 pcs	Table Leg	B	 Lock washer	Ø8	8 pcs
3	1801-78P13	2 sets	Extension Mechanism	C	 Flat washer	Ø8 x 18	8 pcs
4	1801P13L	4 pcs	Extension Lock	D	 Wrench	12	1 pc
5	1801-78P01A	4 pcs	Apron Spacer				
6	1801P01F	4 pcs	Floor Glide				

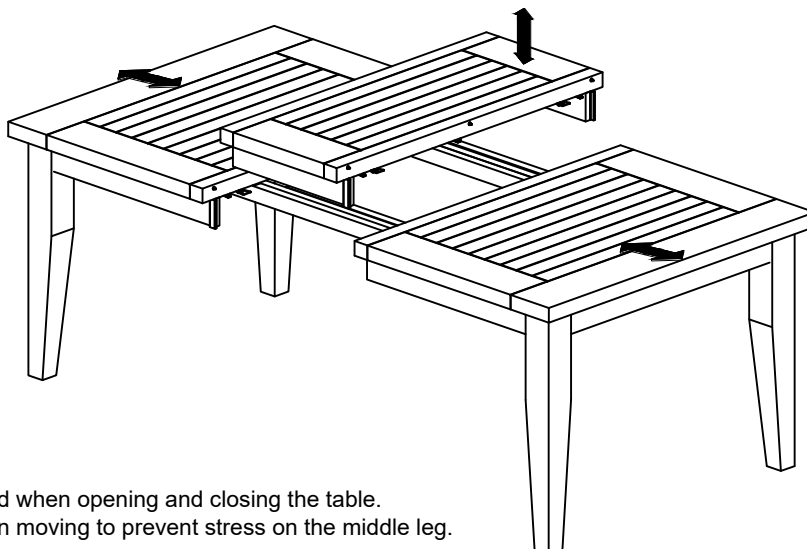
### PLEASE NOTE:

Assembly of this table requires two people.



### STEP 1

- Carefully lay Table Top upside down on a smooth flat surface to prevent scratches.
- Affix each Leg to each corner of the Table Top as shown in illustration.
- Insert a Flat Washer, Lock Washer and Nut on the bolts of each Leg (See Detail A)
- Once all Legs are in place, fully tighten nuts by turning clockwise using provided Key Wrench until secure.



### PLEASE NOTE:

- Two persons are required when opening and closing the table.
- Table must be lifted when moving to prevent stress on the middle leg.