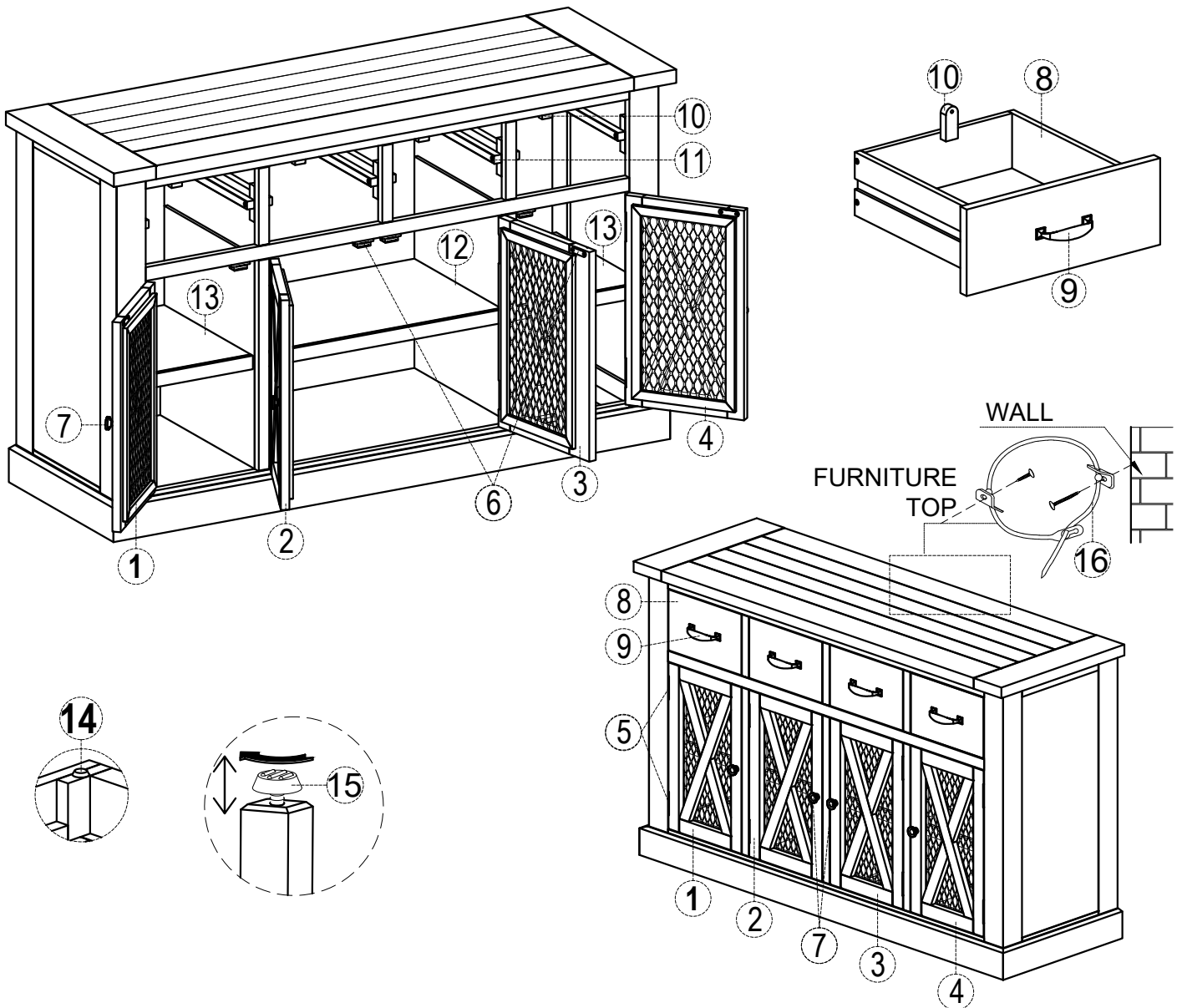


Thank you for purchasing this quality product. Be sure to check all packing material carefully for small parts that may have come loose inside the carton during shipment.

Parts key							
No	Code	Qty	Description	No	Code	Qty	Description
1	1801-70P07L	1 pc	End Left Facing Door	9	1801-70P04A	4 sets	Pull w/Screws for Drawer
2	1801-70P07CL	1 pc	Center Left Facing Door	10	1801-70P05A	4 pcs	Drawer Stop
3	1801-70P07CR	1 pc	Center Right Facing Door	11	1801-70P06	8 pcs	Drawer Glide
4	1801-70P07R	1 pc	End Right Facing Door	12	1801-70P08M	1 pc	Middle Shelf
5	1801P07H	8 pcs	Door Hinge	13	1801-70P08S	2 pcs	Side Shelf
6	1801P01D	4 sets	Door Catch	14	1801P01F	4 pcs	Floor Glide
7	1801P04	4 sets	Knob w/Screw for Door	15	1801P01L	2 pcs	Floor leveler
8	1801-70P05	4 pcs	Drawer Complete	16	1801P01AT	1 set	Anti-Tip Kit



PLEASE NOTE : To help prevent the possibility of tip-over. Install the ANTI- TIP OVER restraint provided.