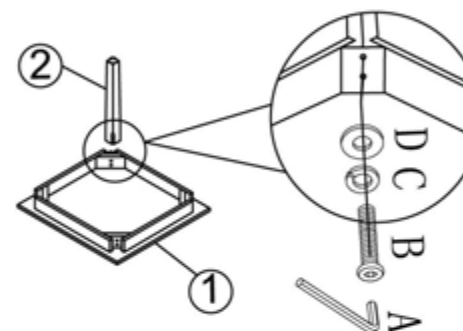
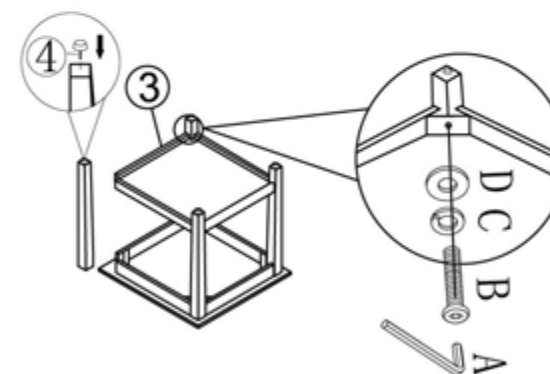


#### STEP 1



#### STEP 2



			END TABLE
A	Allen Wrench 4MM	1798-3P01	1PC
B	Screw $\phi 1/4 \times 2''$		12PCS
C	Lock Washer $\phi 1/4''$		12PCS
D	Flat Washer $\phi 1/4'' \times 16MM$		12PCS
1	Top	1798-3P54	1PC
2	Leg	1798-3P02	4PCS
3	Shelf	1798-3P08	1PC
4	Floor Glide	1798P01F	4PCS