



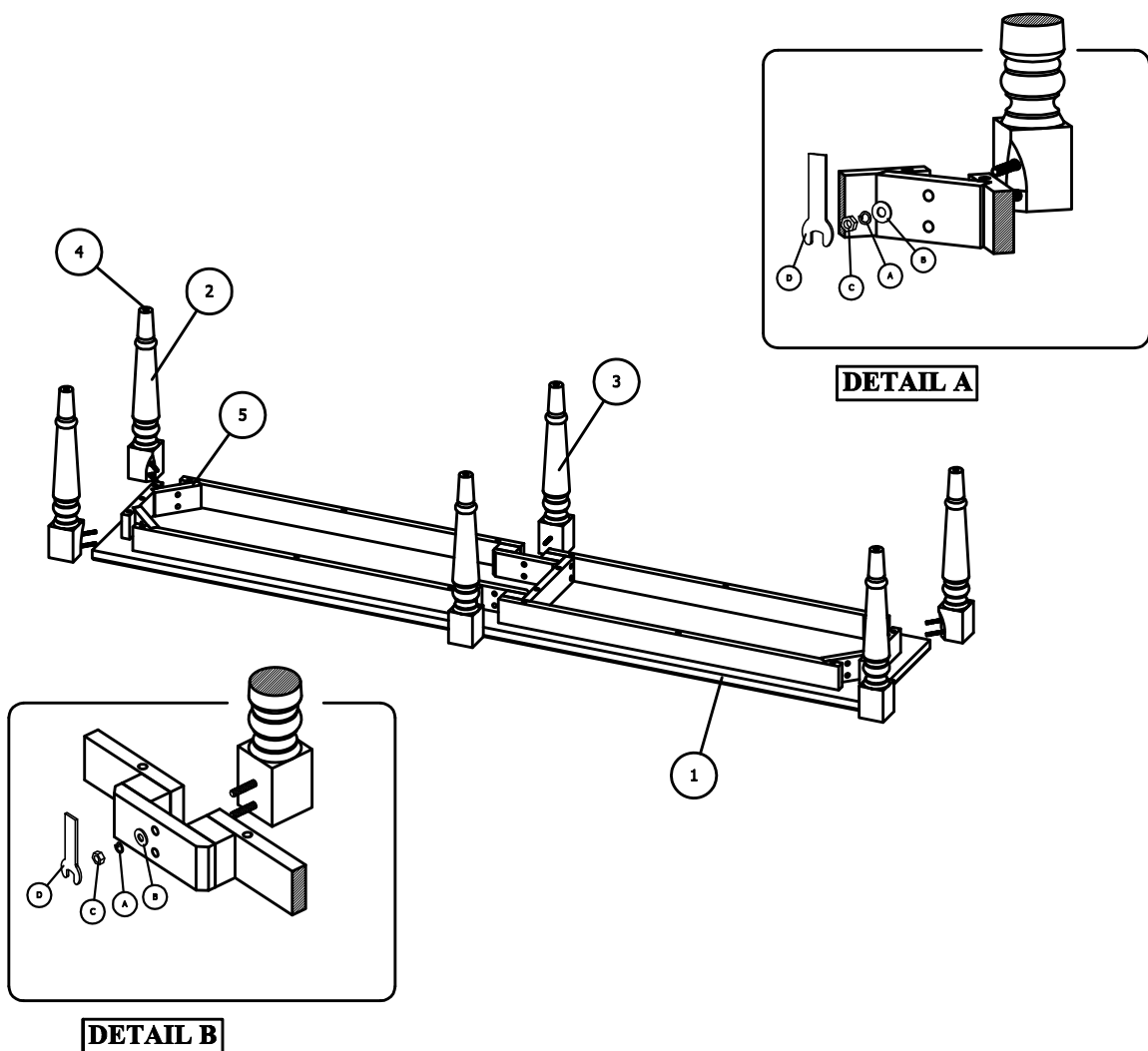


Thank you for purchasing this quality product. Be sure to check all packing material carefully for small parts that may have come loose inside the carton during shipment.

Hardware kit (1771-76KDP46)			
No		Description	Q'Ty
A		Lock Washer Ø8	12 pcs
B		Flat Washer Ø8	12 pcs
C		Nut ØM8	12 pcs
D		Key wrench	1 pc

Key Parts			
No	Code	Description	Q'Ty
1	1771-76KDP41	Bench Seat	1 pc
2	1771-76KDP42	Bench Corner Leg	4 pcs
3	1771-76KDP42M	Bench Middle Leg	2 pcs
4	1771P01F	Floor Glide	4 pcs
5	1771-76KDP26	Corner Block	4 pcs



STEP 1

- Carefully lay Bench Seat upside down on a smooth flat surface to prevent scratches.
- Attach each Leg to each corner of the Table Top as shown in illustration. Insert a Flat Washer, Lock Washer and Nut on to the insert nut of each Leg
- Once all Legs are in place, fully tighten nuts by turning clockwise using provided Key Wrench until secure. See (Detail A) and (Detail B)