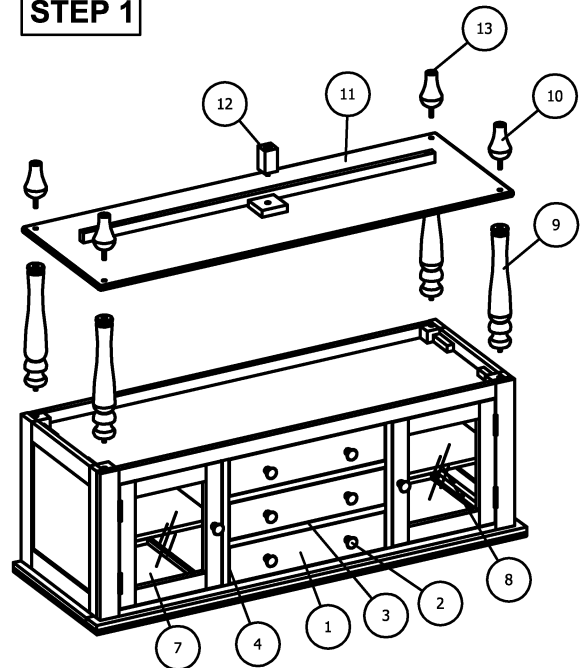


Thank you for purchasing this quality product. Be sure to check all packing material carefully for small parts that may have come loose inside the carton during shipment.

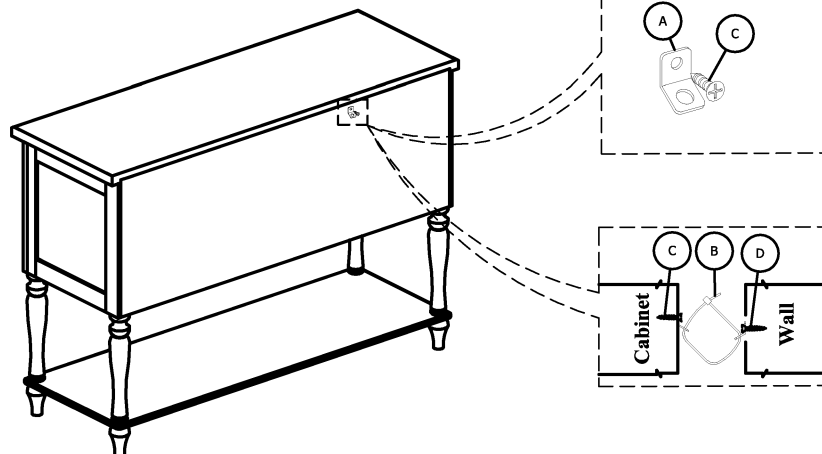
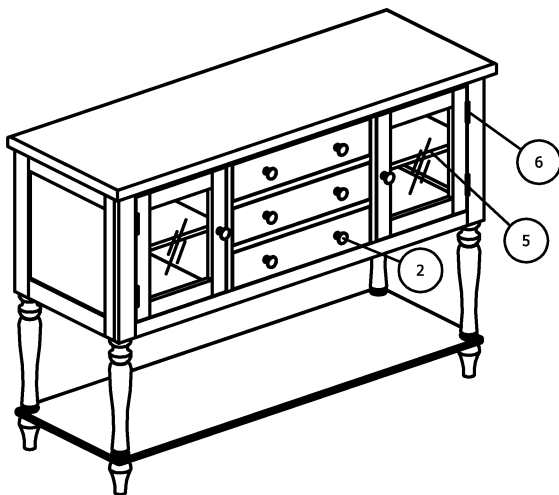
Key Parts			
No	Code	Qty	Description
1	1771-54P05	3 pcs	Drawer
2	1771-54P04	8 pcs	Pull w/screws
3	1771-54P05A	3 pcs	Drawer stop
4	1771-54P06	6 pcs	Drawer glide
5	1771-54P08S	2 pcs	Removable Shelf
6	1771-54P07H	4 pcs	Hinge
7	1771-54P07R	1 pc	Door right side facing
8	1771-54P07L	1 pc	Door left side facing
9	1771-54P02T	4 pcs	Top Leg Section
10	1771-54P02B	4 pcs	Bottom leg
11		1 pc	Bottom Shelf
12	1771-54P02M	1 pc	Middle Support Leg
13	1771P01F	4 pcs	Floor glide

Anti-Tip Hardware (1771-54P01AT)		
No	Qty	Description
A	2 pcs	Bracket
B	1 pc	Plastic strap
C	1 pc	Short screw
D	1 pc	Long screw

STEP 1



STEP 2



PLEASE NOTE:

To avoid the possibility of the furniture tipping and injury, the anti-tip hardware must be installed.