




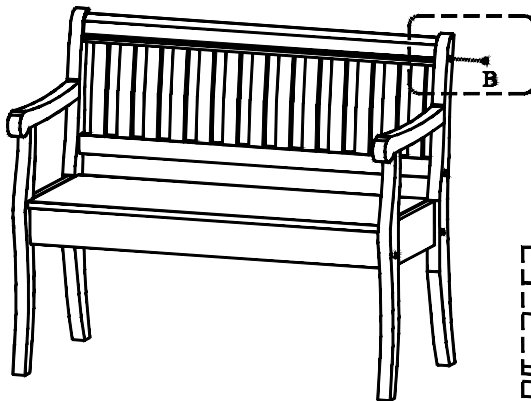
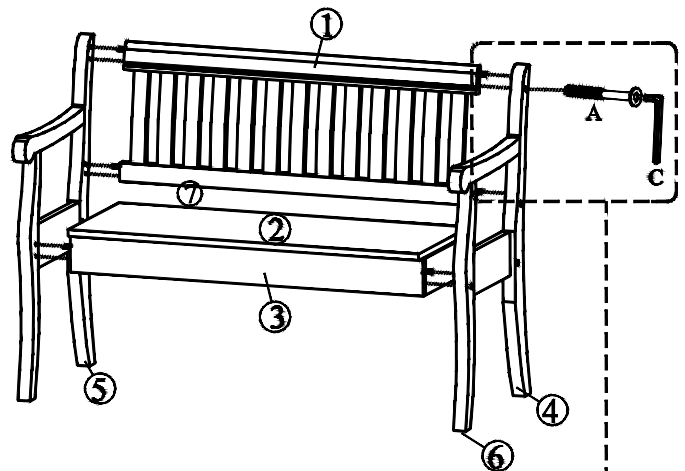
Thank you for purchasing this quality product. Be sure to check all packing material carefully for small parts that may have come loose inside the carton during shipment.

Hardware kit ( 1744-42P46 )				
No		Code	Description	Q'Ty
A		1744-42P01C	Bolt Ø6 x 60mm	8 pcs
B			Screw Cap	8 pcs
C			Allen Key	1 pc

Key Parts			
No	Code	Description	Q'Ty
1	1744-42 P40	Bench Back Complete	1 pc
2	1744-42 P41W	Wood Seat Top	1 pc
3	1744-42 P41S	Seat Storage Box	1 pc
4	1744-42 P42	Right Facing Leg Assembly	1 pc
5	1744-42 P43	Left Facing Leg Assembly	1 pc
6	1744-42 P01F	Floor glide	4 pcs
7	1744-42 P01H	Hinge	3 pcs

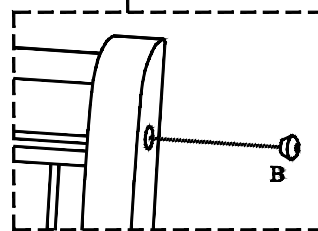
### STEP 1

- Carefully lay Right or Left Facing Leg Assembly on a smooth flat surface to prevent scratches.
- Affix Back Complete and Seat Storage box to Leg Assembly by inserting a Bolt (A) into each of the hole on the Leg Assembly. (See Detail A).
- Tighten bolts with provided Allen Key (C) by turning clockwise until secure.



### STEP 2

- Be sure to level the Bench prior to tightening all the bolts.
- Insert the Screw Cap into all holes side Bench. (See Detail B)



DETAIL B

