






JOFRAN INC.

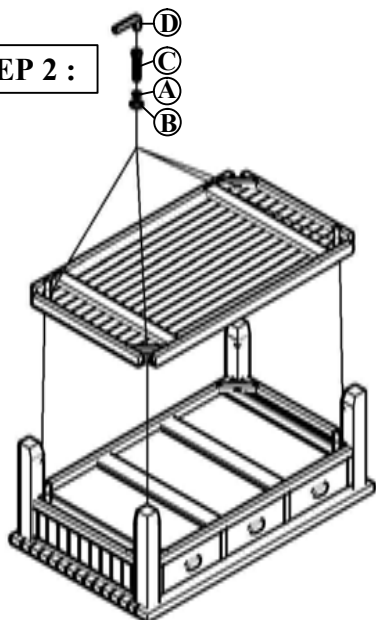
ASSEMBLY INSTRUCTIONS & PARTS IDENTIFICATION MODEL #1742-1 Cocktail Table DAKOTA OAK

Thank you for purchasing this quality product. Be sure to check all packing material carefully for small parts that may have come loose inside the carton during shipment.

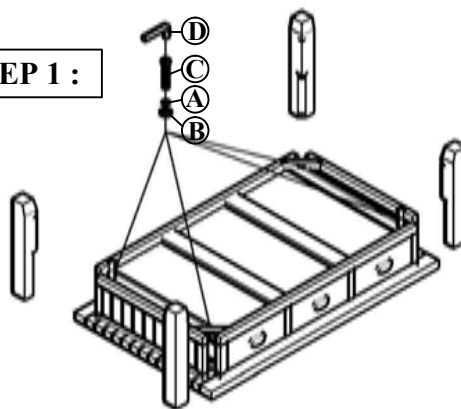
Parts Key			
No	Code	Q'ty	Description
1	1742-1P02	4 Pcs.	Leg
2	1742-1P05	3 Pcs.	Drawer Complete
3	1742-1P08	1 Pc.	Shelf
4	1742P04	6 Sets.	Drawer Pull w/screws
5	1742-1P03	4 Pcs.	Caster

Hardware Kit 1742-1P01			
No	Description		Q'ty
A		Lock washer Ø8 x 13mm	12 Pcs.
B		Plat washer Ø8 x 19mm	12 Pcs.
C		Bolt Ø8 x 60mm	12 Pcs.
D		Allen key	1 Pc.
E		Screws Ø4 x 15mm	16 Pcs.

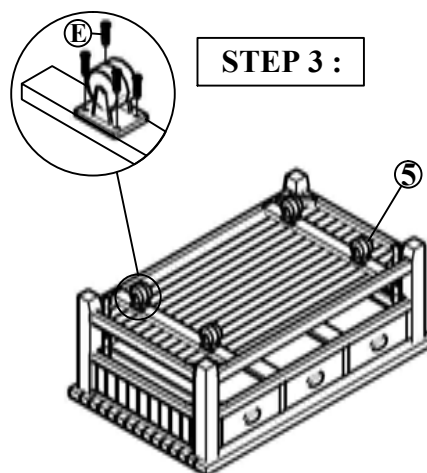
STEP 2 :



STEP 1 :



STEP 3 :



STEP 4 :

