

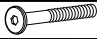







ASSEMBLY INSTRUCTIONS & PARTS IDENTIFICATION

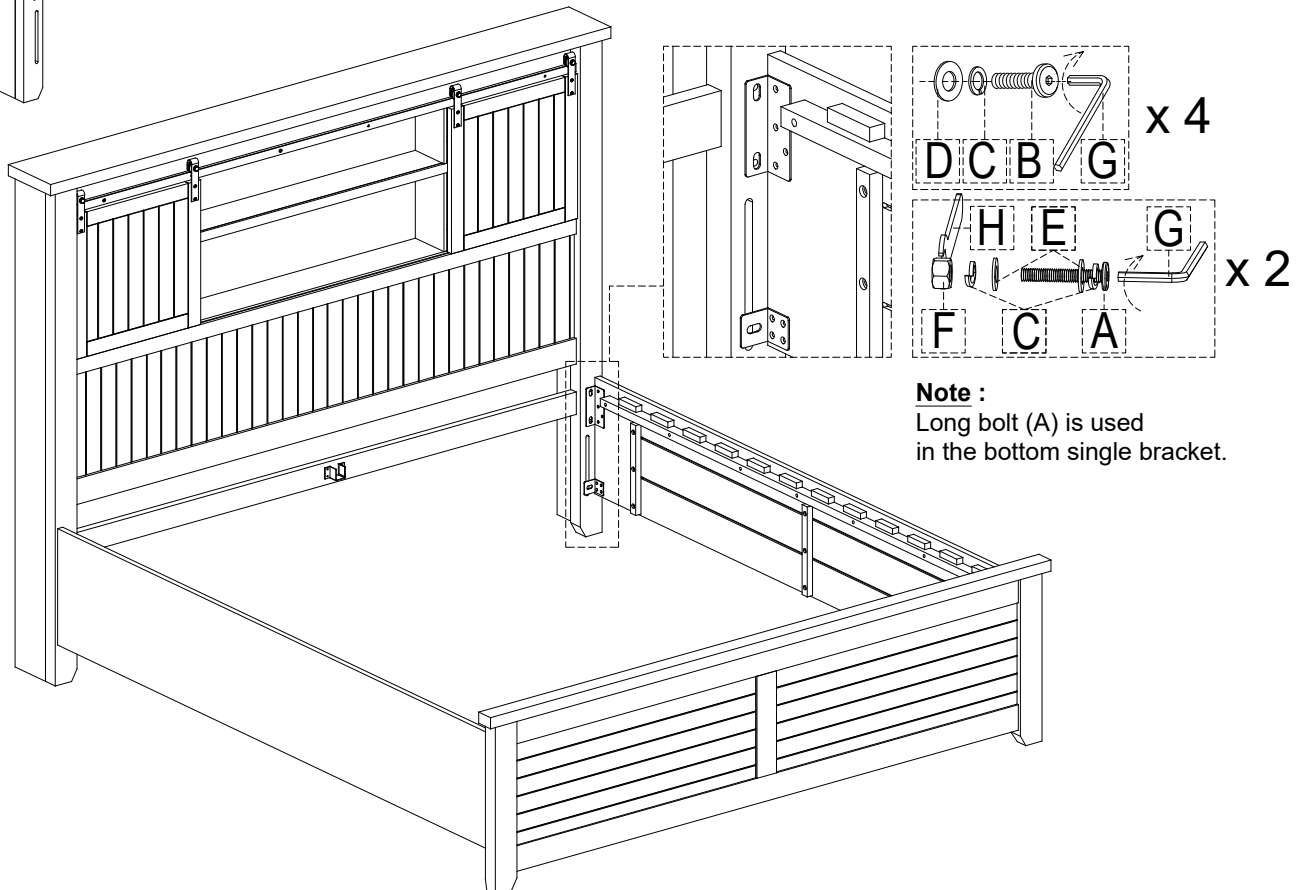
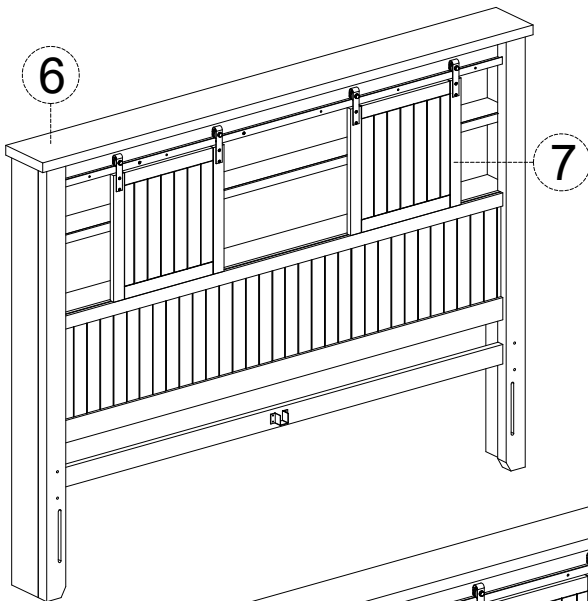
MODEL # 1706B-QBDHB+QPFB+QRS

MADISON COUNTY QUEEN BARN DOOR BED

VINTAGE WHITE

Thank you for purchasing this quality product. Be sure to check all packing material carefully for small parts that may have come loose inside the carton during shipment.

Parts key				Hardware kit #1706B-QBDHBP01			
No	Code	Qty	Description	No	Description		Qty
6		1 pc	Headboard	A	 Bolt	Ø7.8 x 70	2 pcs
7	1706B-QBDHBP07	2 pcs	Door	B	 Bolt	Ø7.8 x 20	4 pcs
				C	 Lock washer	Ø8	8 pcs
				D	 Flat washer	Ø8 x 16	4 pcs
				E	 Flat washer	Ø10 x 22	4 pcs
				F	 Nut	Ø7.8	2 pcs
				G	 Allen key	K4	1 pc
				H	 Wrench	13	1 pc



Note :
Long bolt (A) is used
in the bottom single bracket.






ASSEMBLY INSTRUCTIONS & PARTS IDENTIFICATION

MODEL # 1706B-QBDHB+QPFB+QRS

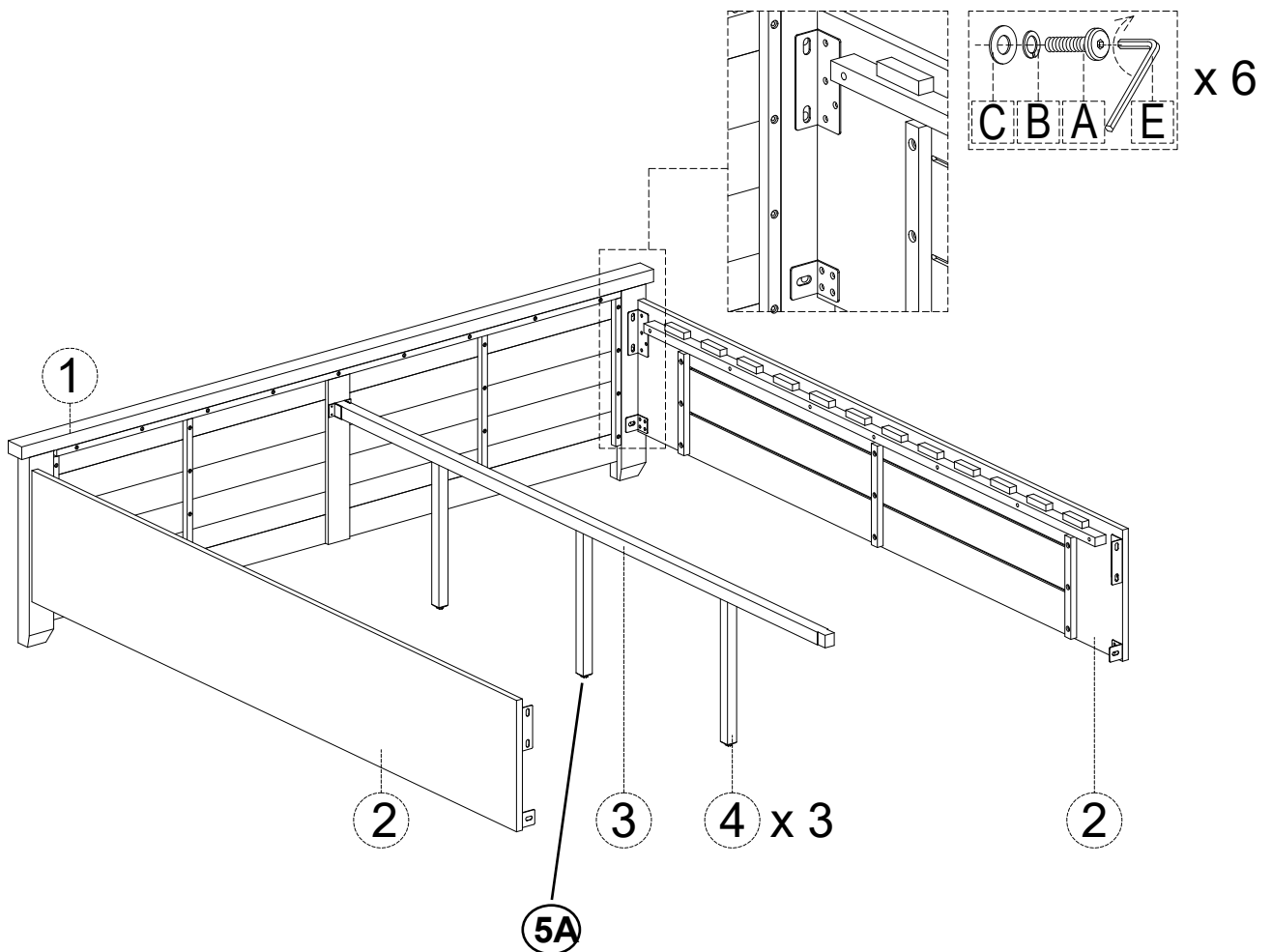
MADISON COUNTY QUEEN BARN DOOR BED

VINTAGE WHITE

Thank you for purchasing this quality product. Be sure to check all packing material carefully for small parts that may have come loose inside the carton during shipment.

Parts key				Hardware kit #1706B-QRSP01			
No	Code	Qty	Description	No		Description	Qty
1		1 pc	Footboard	A		Bolt Ø7.8 x 20	6 pcs
2		2 pcs	Side Rails	B		Lock washer Ø8	6 pcs
3		1 pc	Center Support	C		Flat washer Ø8 x 16	6 pcs
4		3 pcs	Center Leg	D		Screw Ø4 x 30	26 pcs
5		13 pcs	Slats	E		Allen Key K4	1 pc

5A 1706BP01L 3 PCS Leveler



ASSEMBLY INSTRUCTIONS & PARTS IDENTIFICATION

MODEL # 1706B-QBDHB+QPFB+QRS

MADISON COUNTY QUEEN BARN DOOR BED

VINTAGE WHITE

Thank you for purchasing this quality product. Be sure to check all packing material carefully for small parts that may have come loose inside the carton during shipment.

Parts key			
No	Code	Qty	Description
1		1 pc	Footboard
2		2 pcs	Side Rails
3		1 pc	Center Support
4		3 pcs	Center Leg
5		13 pcs	Slats
6	1706B-QBDHB	1 pc	Headboard

Securing the center support rails and slats using the 26 screws in Hardware Kit # 1706B-QRSP01 (Part D).

