






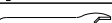
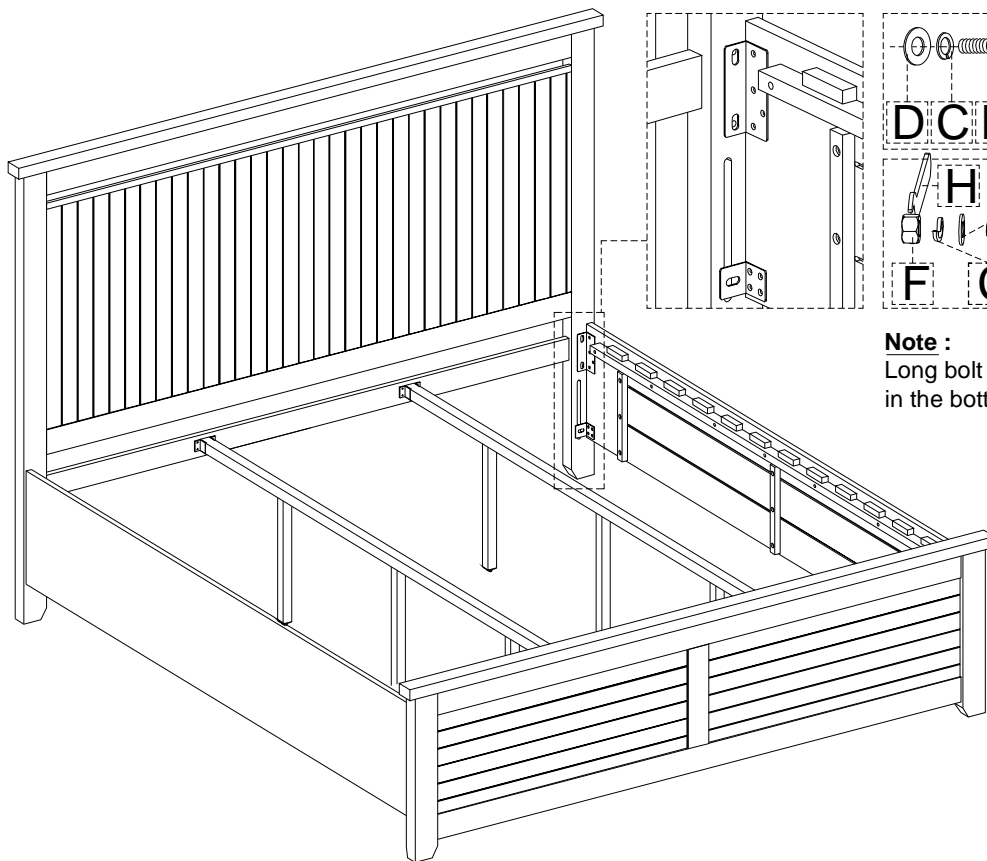
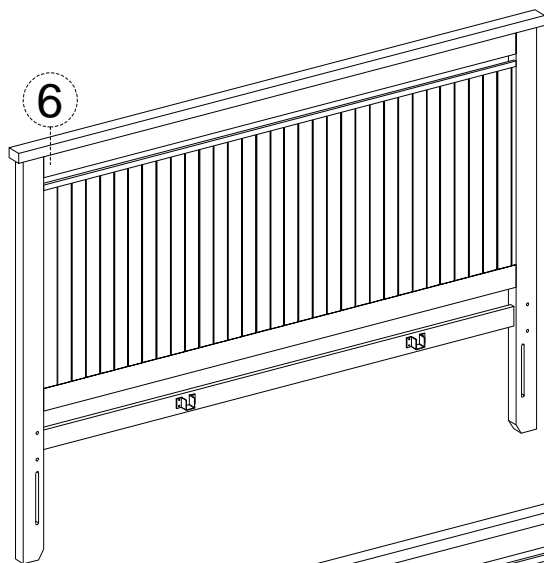


ASSEMBLY INSTRUCTIONS & PARTS IDENTIFICATION 1706B-KPHB+KPFB+KRS MADISON COUNTY KING PANELBED VINTAGE WHITE

Thank you for purchasing this quality product. Be sure to check all packing material carefully for small parts that may have come loose inside the carton during shipment.






Parts key				Hardware kit #1706B-KPHBP01			
No	Code	Qty	Description	No	Description		Qty
6	1706B-KPHB	1 pc	Headboard	A	 Bolt	Ø7.8 x 70	2 pcs
				B	 Bolt	Ø7.8 x 20	4 pcs
				C	 Lock washer	Ø8	8 pcs
				D	 Flat washer	Ø8 x 16	4 pcs
				E	 Flat washer	Ø10 x 22	4 pcs
				F	 Nut	Ø7.8	2 pcs
				G	 Allen key	K4	1 pc
				H	 Wrench	13	1 pc

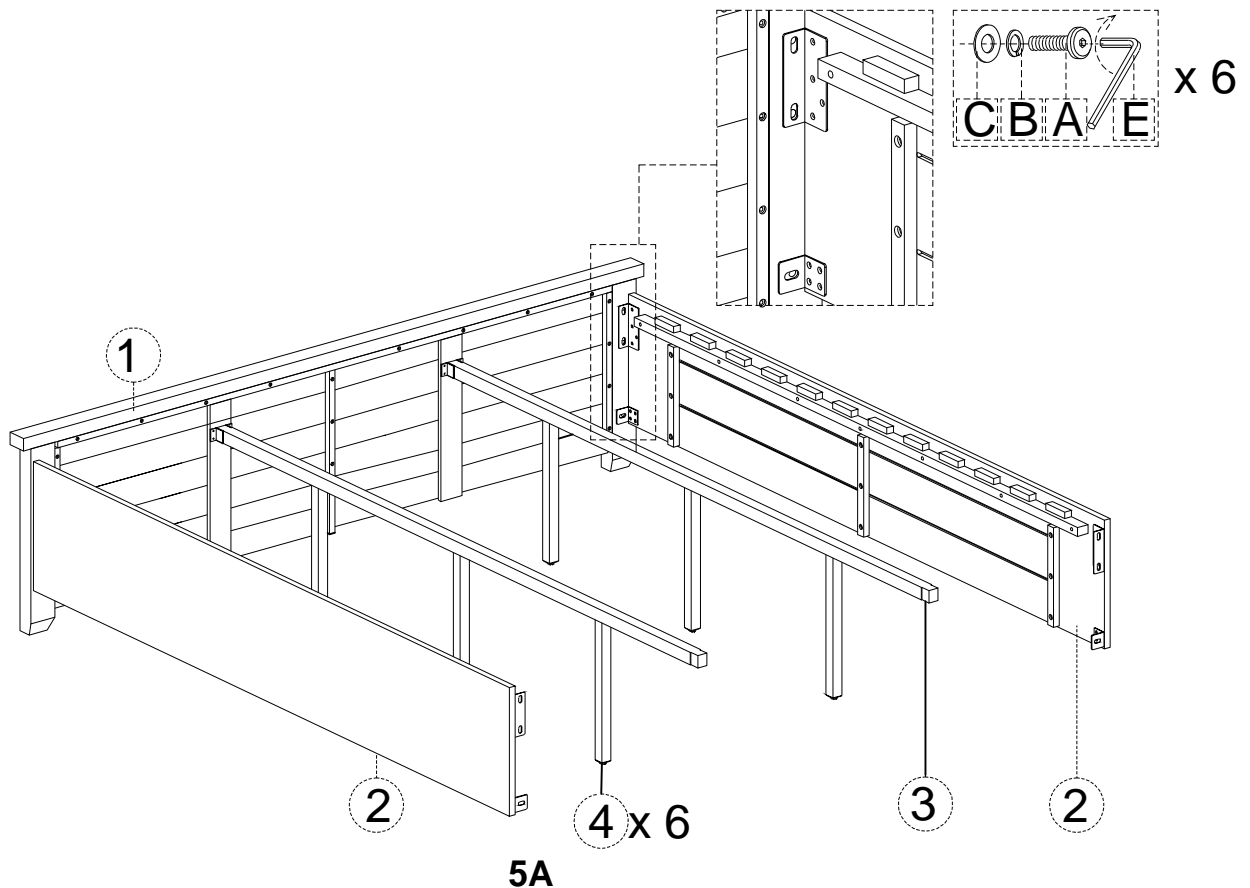


Note :
Long bolt (A) is used
in the bottom single bracket.

ASSEMBLY INSTRUCTIONS & PARTS IDENTIFICATION 1706B-KPHB+KPFB+KRS MADISON COUNTY KING PANELBED VINTAGE WHITE

Thank you for purchasing this quality product. Be sure to check all packing material carefully for small parts that may have come loose inside the carton during shipment.

Parts key				Hardware kit #1706B-KRSP01			
No	Code	Qty	Description	No	Description		Qty
1	1706B-KPFB	1 pc	Footboard	A	 Bolt	Ø7.8 x 20	6 pcs
2	1706B-KRSP53	2 pcs	Side Rails	B	 Lock washer	Ø8	6 pcs
3	1706B-KRSP11CS	2 pcs	Center Support	C	 Flat washer	Ø8 x 16	6 pcs
4	1706B-KRSP02C	6 pcs	Center Leg	D	 Screw	Ø4 x 30	26 pcs
5	1706B-KRSP11	13 pcs	Slats	E	 Allen Key	K4	1 pc
5A	1700BP01L	6 PCS	Leveler				



ASSEMBLY INSTRUCTIONS & PARTS IDENTIFICATION 1706B-KPHB+KPFB+KRS MADISON COUNTY KING PANELBED VINTAGE WHITE

Thank you for purchasing this quality product. Be sure to check all packing material carefully for small parts that may have come loose inside the carton during shipment.

Parts key			
No	Code	Qty	Description
1	1706B-KPFB	1 pc	Footboard
2	1706B-KRSP53	2 pcs	Side Rails
3	1706B-KRSP11CS	2 pcs	Center Support
4	1706B-KRSP02C	6 pcs	Center Leg
5	1706B-KRSP11	13 pcs	Slats
6	1706B-KPHB	1 pc	Headboard

Securing the center support rails and slats using the 26 screws in Hardware Kit # 1706B-KRSP01 (Part D).

