



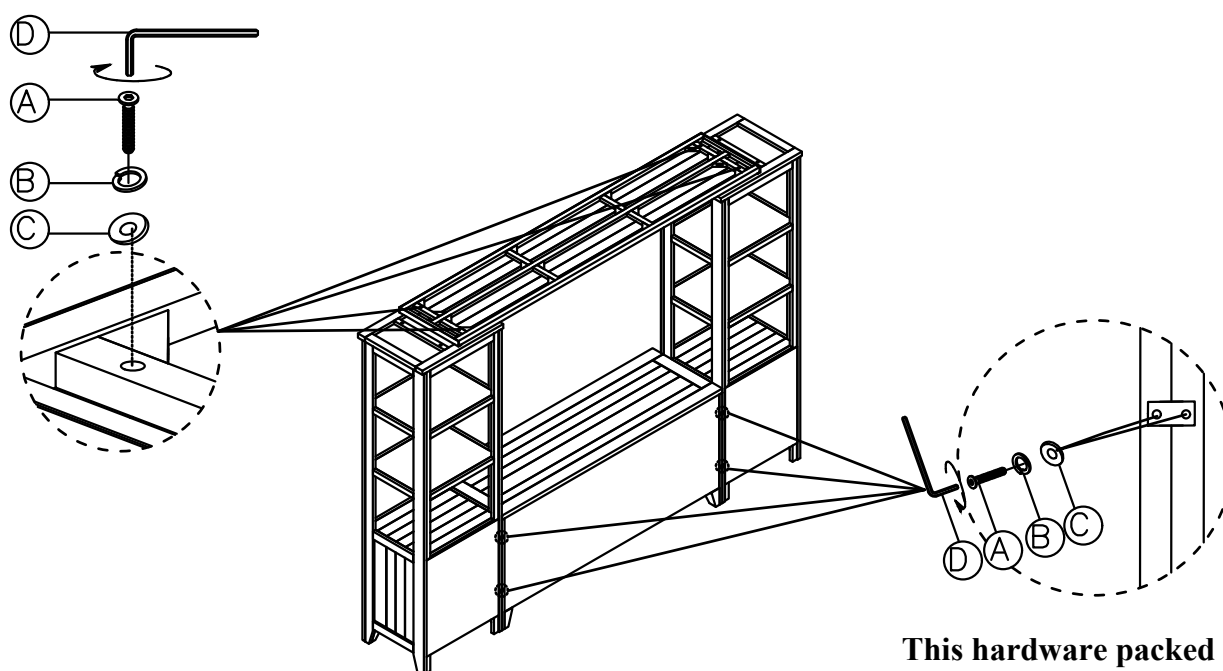


PIER BRIDGE

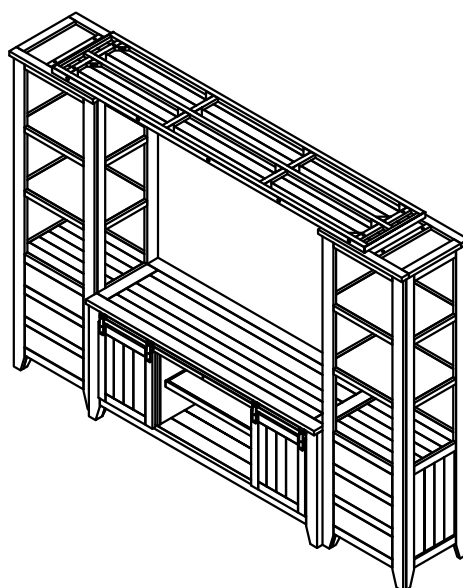
Thank you for purchasing this quality product. Be sure to check all packing material carefully for small parts that may have come loose inside the carton during shipment.

| Hardware Kit 1706-82P01 | | | | |
|-------------------------|-----------------------------------------------------------------------------------|-------------|-----------|-------|
| No | Description | | | Q'ty |
| A |  | Bolt | Ø6.3 x 50 | 4 pcs |
| B |  | Lock washer | Ø6.5 | 4 pcs |
| C |  | Flat washer | Ø6.5 | 4 pcs |
| D |  | Allen key | | 1 pc |

ATTACHING THE PIER BRIDGE
TO THE PIERS








This hardware packed in
with the Pier

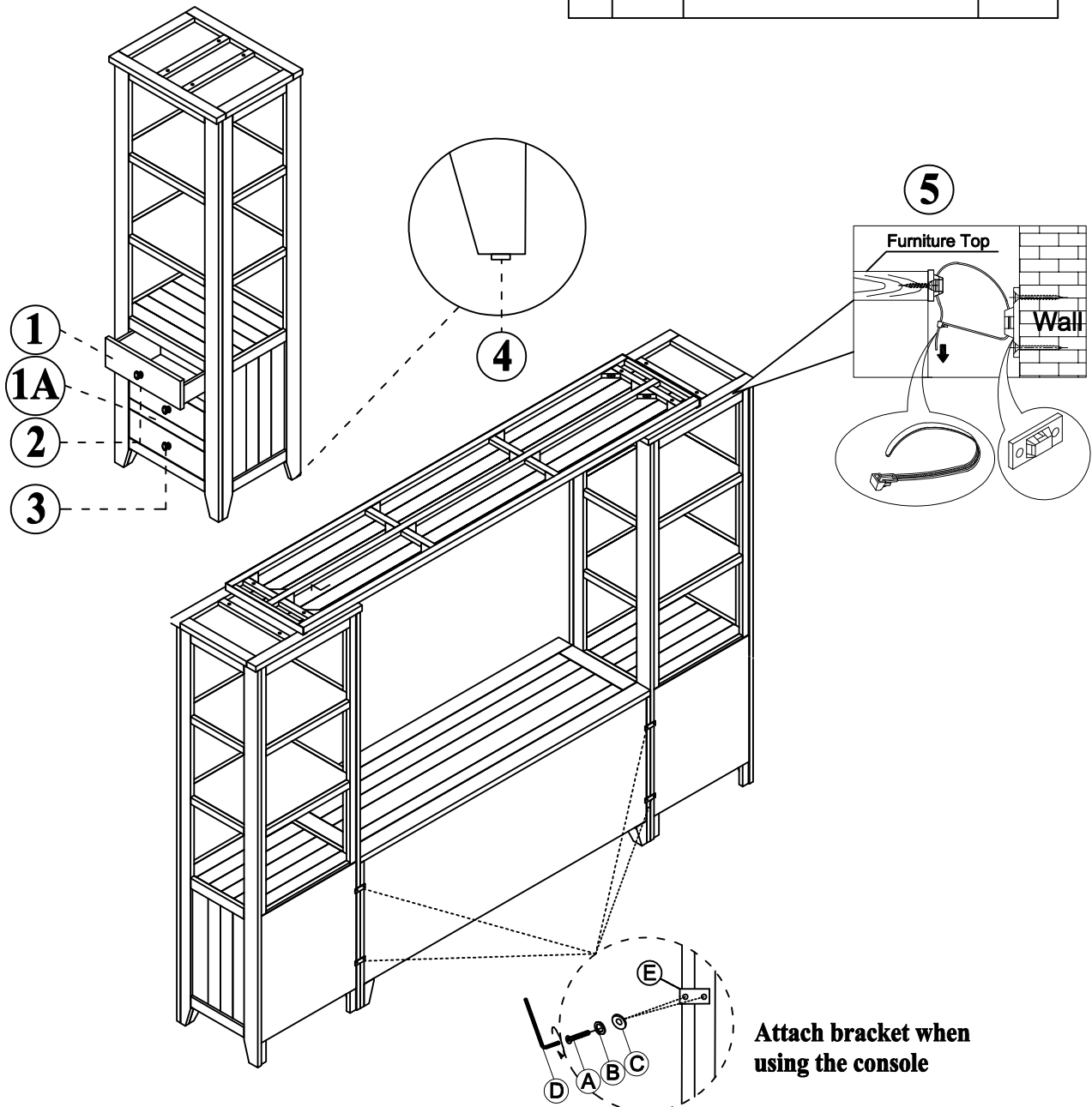


PIER

Thank you for purchasing this quality product. Be sure to check all packing material carefully for small parts that may have come loose inside the carton during shipment.

| Parts key | | | |
|-----------|-------------|-------|----------------|
| No | Code | Q'ty | Description |
| 1 | 1706-22P05T | 1 Pc | Top Drawers |
| 1A | 1706-22P05B | 1 Pc | Bottom Drawers |
| 2 | 1706-22P06 | 2 Pcs | Drawer Glide |
| 3 | 1706P04 | 3 Pcs | Knob W/ Screw |
| 4 | 1706P01L | 4 Pcs | Levelers |
| 5 | 1706P01AT | 1 Set | Anti- Tip Kit |

| Hardware Kit 1706-22P01 | | | |
|-------------------------|-----------------------------------------------------------------------------------|------------------|-------|
| No | | Description | Q'ty |
| A |  | Bolt Ø6.3 x 20 | 4 pcs |
| B |  | Lock washer Ø6.3 | 4 pcs |
| C |  | Flat washer Ø6.3 | 4 pcs |
| D |  | Allen key | 1 pc |
| E |  | Metal Bracket | 2 pcs |



MADE IN VIETNAM

CONSOLE

Thank you for purchasing this quality product. Be sure to check all packing material carefully for small parts that may have come loose inside the carton during shipment.

| Parts key | | | |
|-----------|-------------|--------|-------------------|
| No | Code | Q'ty | Description |
| 1 | 1706-60P07R | 1 Pc | Right facing Door |
| 2 | 1706-60P07L | 1 Pc | Left Facing Door |
| 3 | 1706P04 | 2 Pcs | Pull w/ Screw |
| 4 | 1706-60P08M | 1 Pc | Middle Shelf |
| 5 | 1706-60P08S | 2 Pcs | Side shelf |
| 6 | 1706P08P | 12 Pcs | Shelf Pin |
| 7 | 1706P01L | 5 Pcs | Leveler |
| 8 | 1706-60P02M | 1Pc | Center Leg |

