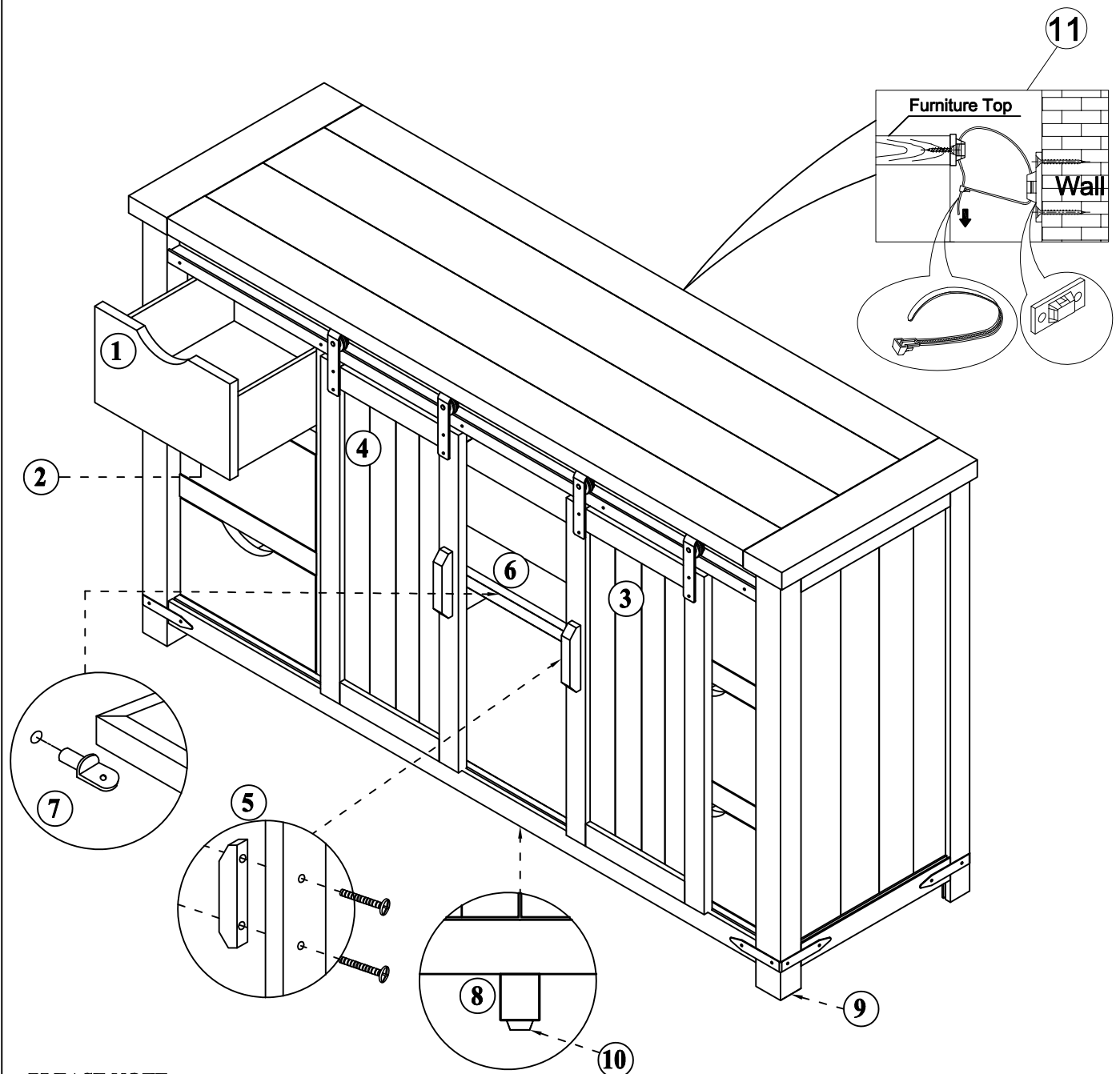


Thank you for purchasing this quality product. Be sure to check all packing material carefully for small parts that may have come loose inside the carton during shipment.

**Parts key**

No	Code	Qty	Description	No	Code	Qty	Description
1	1706-35P05	6 Pcs.	Drawer Complete	7	1706-35P08P	4 Pcs.	Shelf Pin
2	1706-35P06	6 Sets.	Drawer Glide	8	1706-35P02M	1 Pc.	Center Leg
3	1706-35P07R	1 Pc.	Right Facing Door	9	1706P01F	4 Pcs.	Floor Glide
4	1706-35P07L	1 Pc.	Left Facing Door	10	1706P01L	1 Pc.	Leveler
5	1706-35P04	2 Pcs.	Wood Handle W/Screws	11	1706P01AT	1 Set.	Anti- Tip Kit
6	1706-35P08	1 Pc.	Shelf				



**PLEASE NOTE :**  
To avoid the possibility of the furniture tipping and injury. The anti tip hardware must be installed