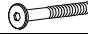



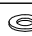


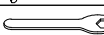
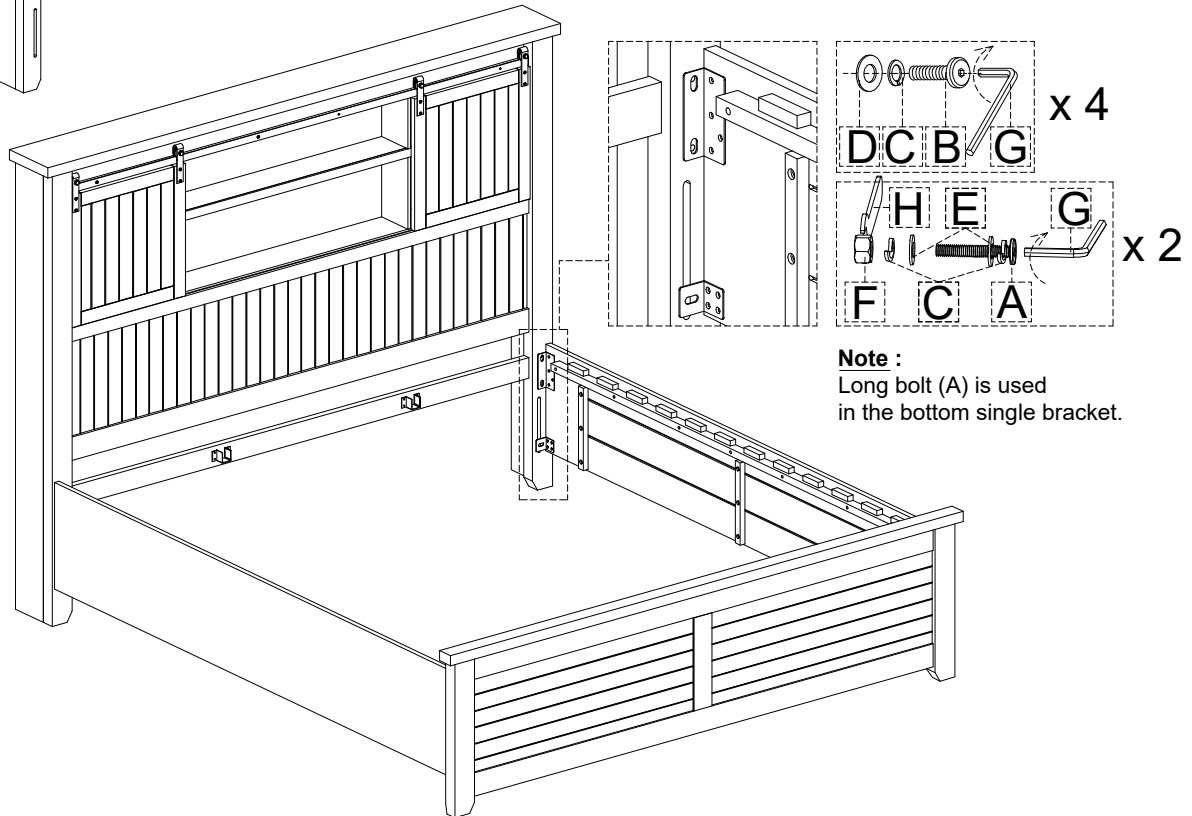
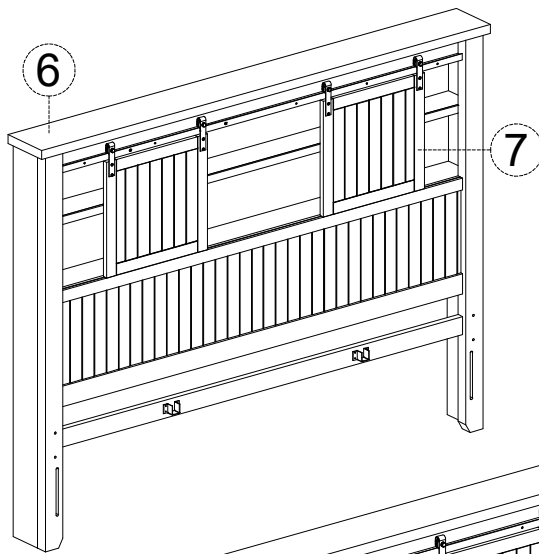


## ASSEMBLY INSTRUCTIONS & PARTS IDENTIFICATION MODEL # 1700B-KBDHB+KPFB+KRS MADISON COUNTY KING BARN DOOR BED BARNWOOD FINISH

Thank you for purchasing this quality product. Be sure to check all packing material carefully for small parts that may have come loose inside the carton during shipment.






Parts key				Hardware kit #1700B-KBDHBP01			
No	Code	Qty	Description	No	Description	Qty	
6		1 pc	Headboard	A	 Bolt Ø5/16" x 2.75" (#12 Coarse thread)	2 pcs	
7	1700B-KBDHBP07	2 pcs	Door	B	 Bolt Ø5/16" x 0.78" (#12 Coarse thread)	4 pcs	
				C	 Lock washer Ø5/16"	8 pcs	
				D	 Flat washer Ø5/16" x 0.63"	4 pcs	
				E	 Flat washer Ø25/64" x 0.86"	4 pcs	
				F	 Nut Ø5/16"	2 pcs	
				G	 Allen key K5/32"	1 pc	
				H	 Wrench 33/64"	1 pc	

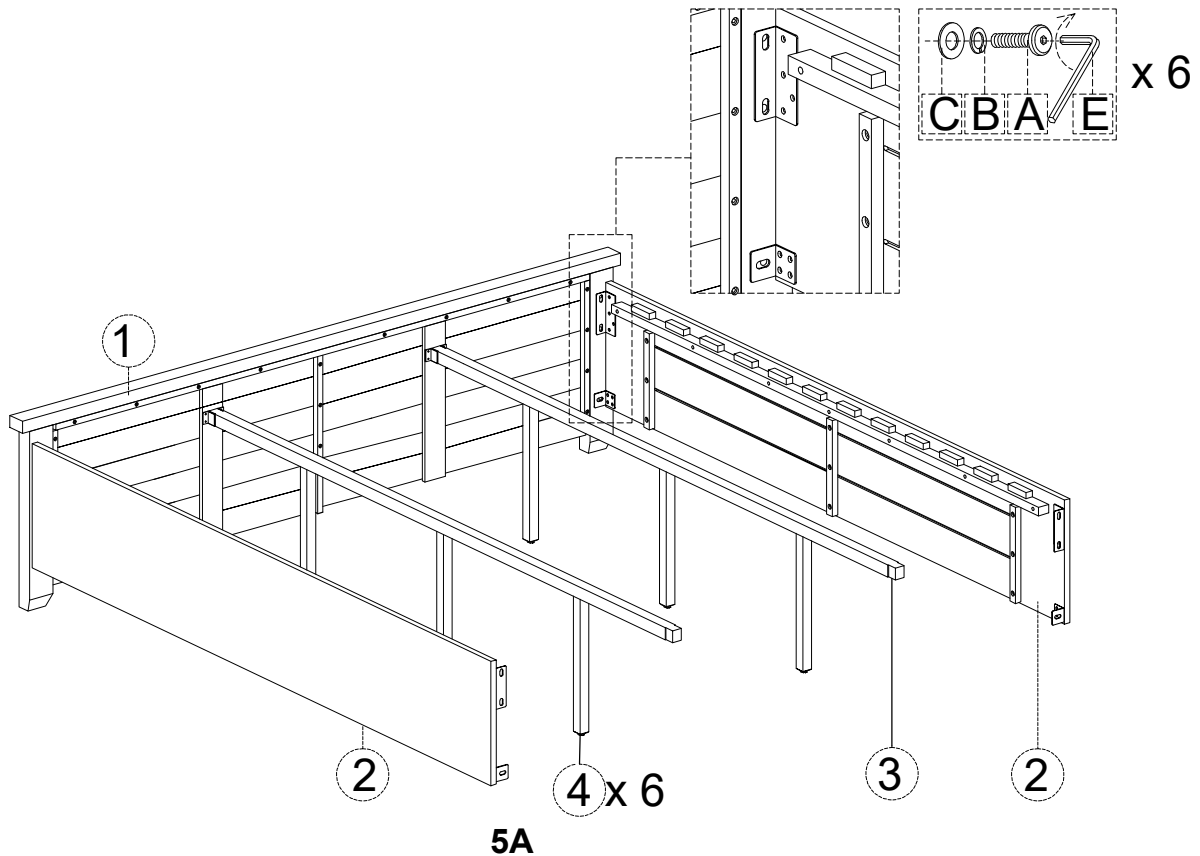


**Note :**  
Long bolt (A) is used  
in the bottom single bracket.

## ASSEMBLY INSTRUCTIONS & PARTS IDENTIFICATION MODEL # 1700B-KBDHB+KPFB+KRS MADISON COUNTY KING BARN DOOR BED BARNWOOD FINISH

Thank you for purchasing this quality product. Be sure to check all packing material carefully for small parts that may have come loose inside the carton during shipment.

Parts key				Hardware kit #1700B-KRSP01		
No	Code	Qty	Description	No	Description	Qty
1		1 pc	Footboard	A	 Bolt Ø5/16" x 0.78" (#12 Coarse thread)	6 pcs
2		2 pcs	Side Rails	B	 Lock washer Ø5/16"	6 pcs
3		2 pcs	Center Support	C	 Flat washer Ø5/16" x 0.63"	6 pcs
4		6 pcs	Center Leg	D	 Screw Ø5/32" x 1.18"	26 pcs
5		13 pcs	Slats	E	 Allen Key K5/32"	1 pc
5A	1700BP01L	6 pcs	Leveler			



**ASSEMBLY INSTRUCTIONS  
& PARTS IDENTIFICATION**  
**MODEL # 1700B-KBDHB+KPFB+KRS**  
**MADISON COUNTY KING BARN DOOR BED**  
**BARNWOOD FINISH**

Thank you for purchasing this quality product. Be sure to check all packing material carefully for small parts that may have come loose inside the carton during shipment.

Parts key			
No	Code	Qty	Description
1		1 pc	Footboard
2		2 pcs	Side Rails
3		2 pcs	Center Support
4	1700B-KRSP02C	6 pcs	Center Leg
5		13 pcs	Slats
6	1700B-KBDHB	1 pc	Headboard

Securing the center support rails and slats using the 26 screws in Hardware Kit # 1700B-KRSP01 (Part D).

