




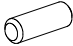
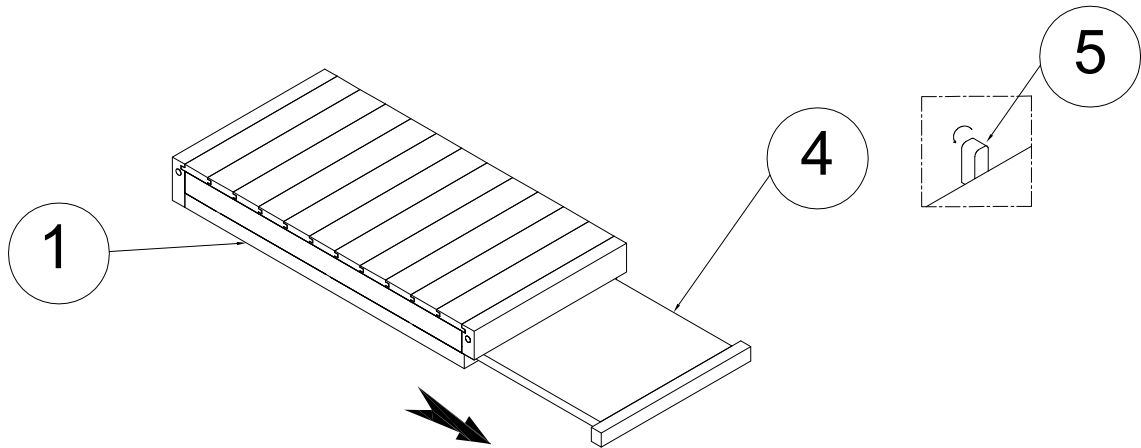


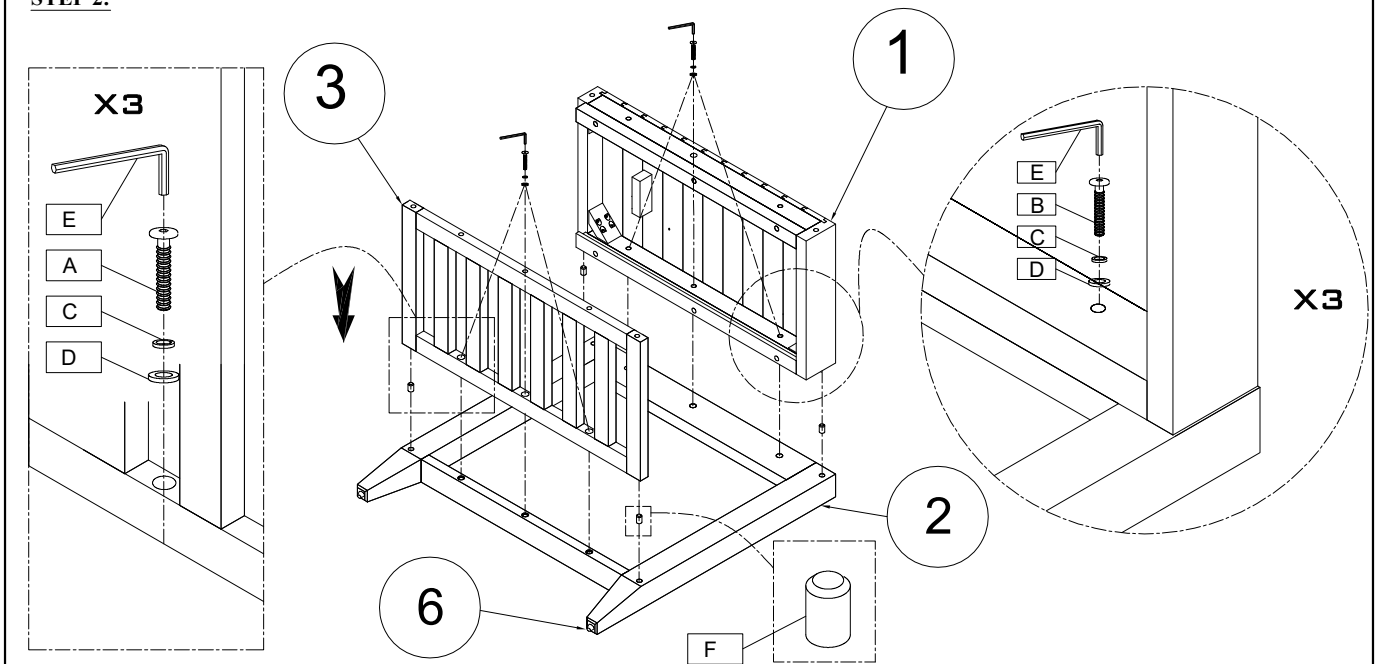
Thank you for purchasing this quality product. Be sure to check all packing material carefully for small parts that may have come loose inside the carton during shipment.

Hardware Kit (1649-7P01)				Key Parts			
No	Description		Qty	No	Code	Description	Qty
A		Bolt M6x50mm Shelf Bolt	6 Pcs	1	1649-7P54	TOP	1 Pc
B		Bolt M6x40mm Top Bolt	6 Pcs	2	1649-7P53	LEG ASSEMBLY	2 Pcs
C		Lock Washer	12 Pcs	3	1649-7P08	SHELF	1 Pc
D		Flat Washer	12 Pcs	4	1649-7P57	PULL OUT TRAY	1 Pc
E		Allen key	1 Pc	5	1649-7P57P	STOP FOR PULL OUT TRAY	1 Pc
F		Dowel	8 Pcs	6	1649P01F	FLOOR GLIDE	4 Pcs

STEP 1:






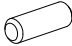


STEP 2:



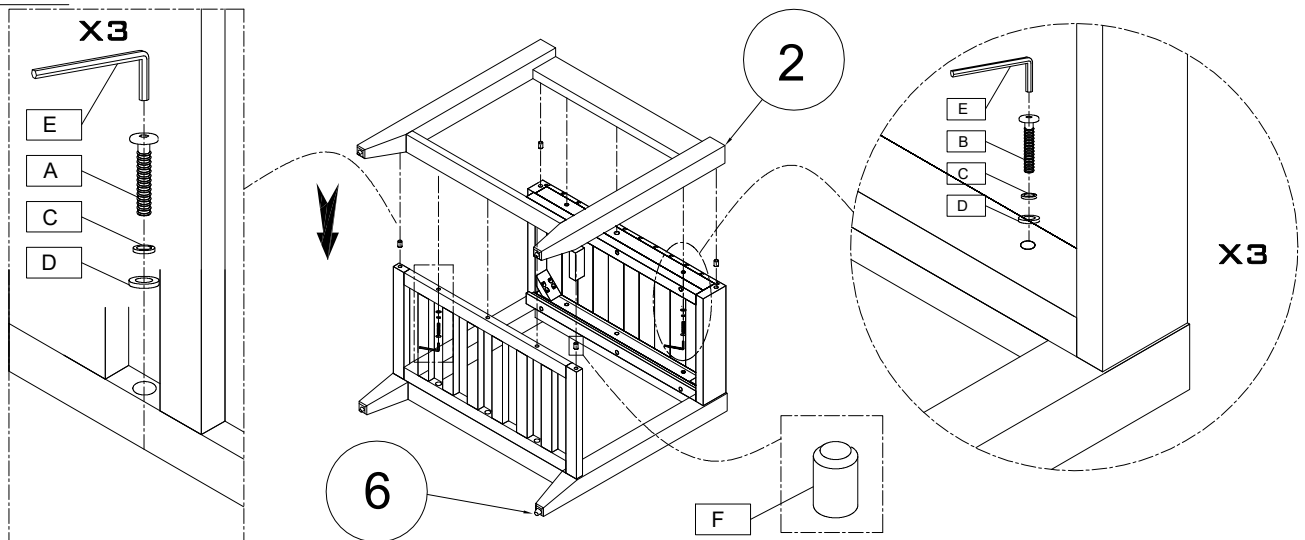
Made in Vietnam

Thank you for purchasing this quality product. Be sure to check all packing material carefully for small parts that may have come loose inside the carton during shipment.

Hardware Kit (1649-7P01)			
No	Description		Qty
A		Bolt M6x50mm Shelf Bolt	6 Pcs
B		Bolt M6x40mm Top Bolt	6 Pcs
C		Lock Washer	12 Pcs
D		Flat Washer	12 Pcs
E		Allen key	1 Pc
F		Dowel	8 Pcs

Key Parts			
No	Code	Description	Qty
1	1649-7P54	TOP	1 Pc
2	1649-7P53	LEG ASSEMBLY	2 Pcs
3	1649-7P08	SHELF	1 Pc
4	1649-7P57	PULL OUT TRAY	1 Pc
5	1649-7P57P	STOP FOR PULL OUT TRAY	1 Pc
6	1649P01F	FLOOR GLIDE	4 Pcs

STEP 3:



STEP 4:

