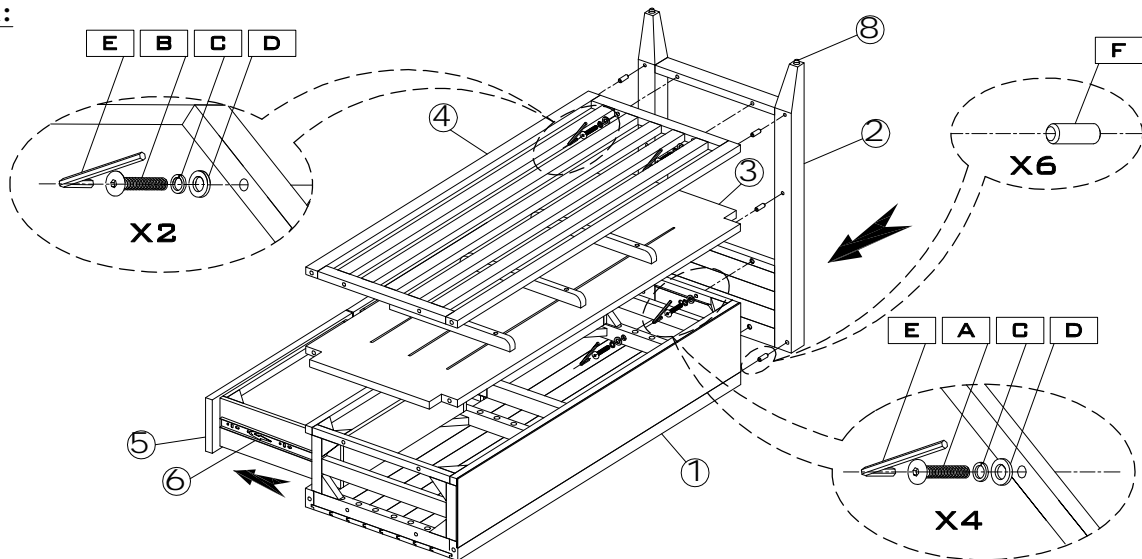


Thank you for purchasing this quality product. Be sure to check all packing material carefully for small parts that may have come loose inside the carton during shipment.

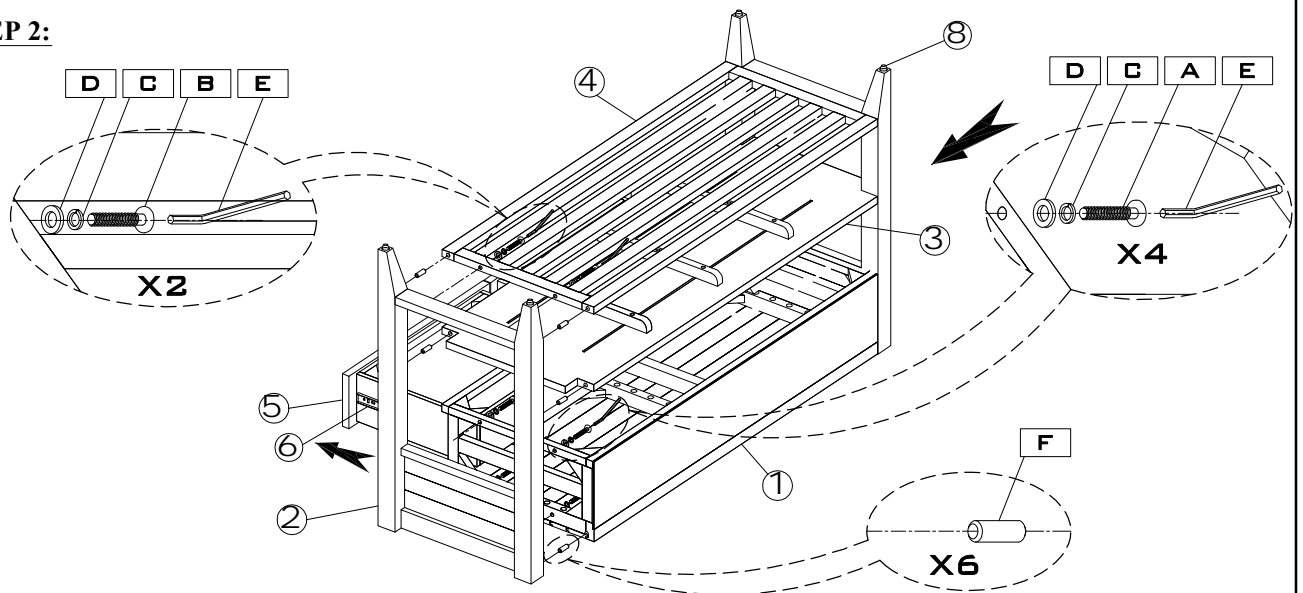
Hardware kit (1649-4P01)			
No	Description		Qty
A		Bolt M6x40mm Top Bolt	8 Pcs
B		Bolt M6x50mm Shelf Bolt	4 Pcs
C		Lock Washer	12 Pcs
D		Flat Washer	12 Pcs
E		Allen key	1 Pc
F		Dowel	12 Pcs

Key Parts			
No	Code	Description	Qty
1	1649-4P51	STORAGE BOX	1 Pc
2	1649-4P53	LEG ASSEMBLY	2 Pcs
3	1649-4P08U	UPPER SHELF	1 Pc
4	1649-4P08L	LOWER SHELF	1 Pc
5	1649-4P05	DRAWER COMPLETE	2 Pcs
6	1649P06	FULL EXTENSION GLIDE	2 Sets
7	1649P04	PULL W/ SCREW	2 Sets
8	1649P01F	FLOOR GLIDE	4 Pcs







STEP 1:



STEP 2:

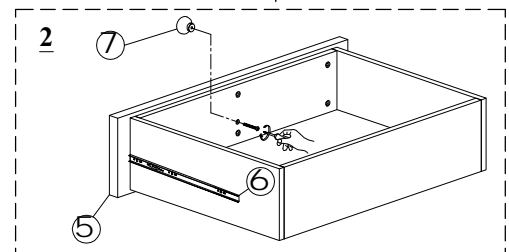
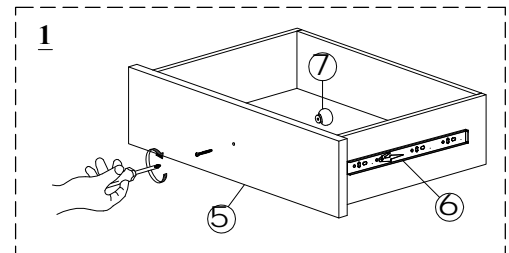
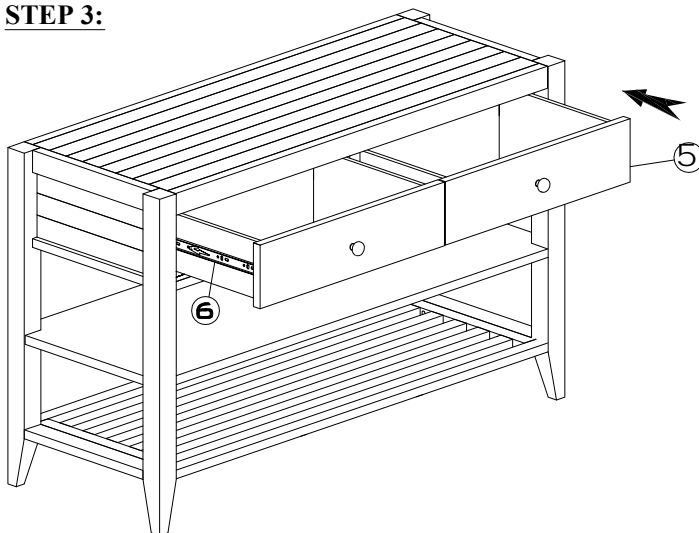


Thank you for purchasing this quality product. Be sure to check all packing material carefully for small parts that may have come loose inside the carton during shipment.

Hardware kit (1649-4P01)			
No	Description		Qty
A		Bolt M6x40mm Top Bolt	8 Pcs
B		Bolt M6x50mm Shelf Bolt	4 Pcs
C		Lock Washer	12 Pcs
D		Flat Washer	12 Pcs
E		Allen key	1 Pc
F		Dowel	12 Pcs

Key Parts			
No	Code	Description	Qty
1	1649-4P51	STORAGE BOX	1 Pc
2	1649-4P53	LEG ASSEMBLY	2 Pcs
3	1649-4P08U	UPPER SHELF	1 Pc
4	1649-4P08L	LOWER SHELF	1 Pc
5	1649-4P05	DRAWER COMPLETE	2 Pcs
6	1649P06	FULL EXTENSION GLIDE	2 Sets
7	1649P04	PULL W/ SCREW	2 Sets
8	1649P01F	FLOOR GLIDE	4 Pcs

STEP 3:



STEP 4:

