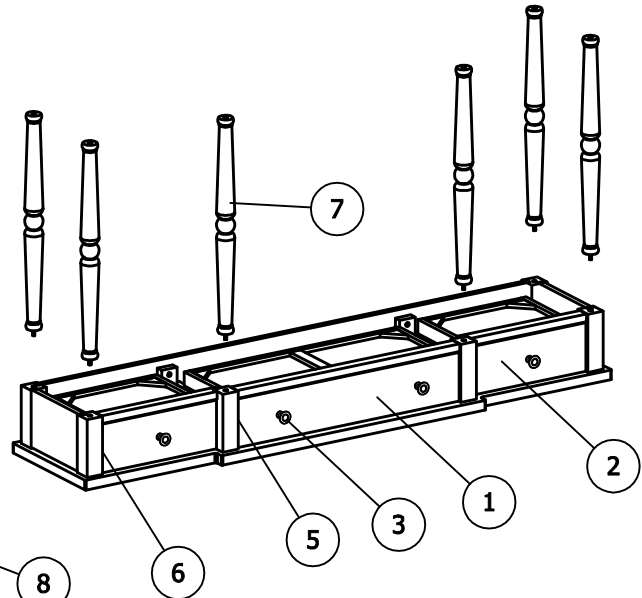


Thank you for purchasing this quality product. Be sure to check all packing material carefully for small parts that may have come loose inside the carton during shipment

Key Parts			
No	Code	Qty	Description
1	1632-60P05M	1 pc	Middle Drawer
2	1632-60P05S	2 pcs	Side Drawer
3	1632-60P04	4 pcs	Knob w/screw
4	1632-60P05A	3 pcs	Drawer stop
5	1632-60P06M	2 pcs	Middle Drawer glide
6	1632-60P06S	4 Pcs	Side Drawer glide
7	1632-60P02M	6 pcs	Middle leg
8	1632-60P02B	6 pcs	Bottom leg
9	1632-60P08	1 pc	Shelf
10	1632-60P01F	6 pcs	Floor glide

STEP 1



STEP 2

