



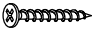
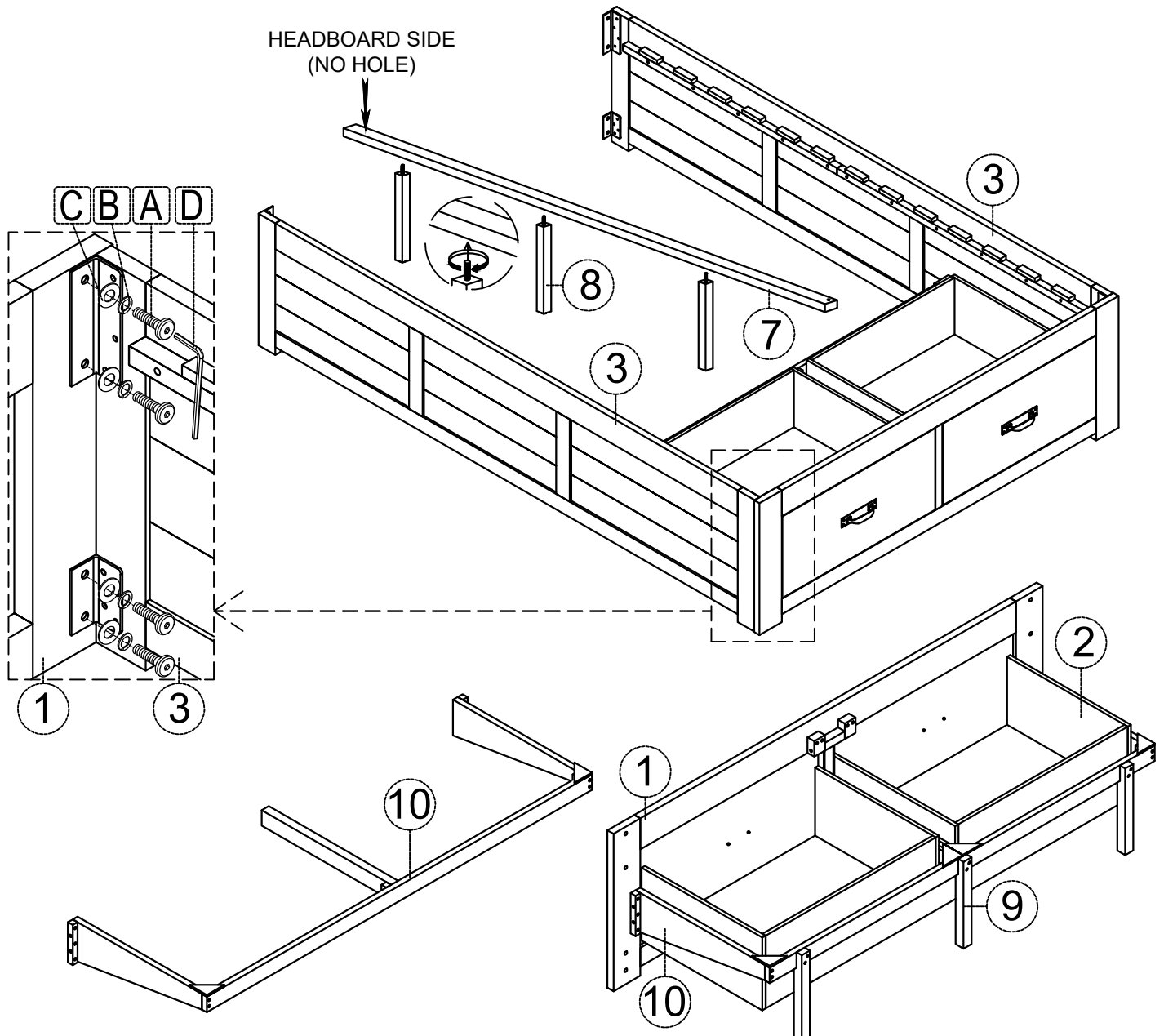


Thank you for purchasing this quality product. Be sure to check all packing material carefully for small parts that may have come loose inside the carton during shipment.







| Parts key |             |        |                        | Hardware kit #1605-87P01 |   |         |        |
|-----------|-------------|--------|------------------------|--------------------------|---|---------|--------|
| No        | Code        | Qty    | Description            | No                       | Description   |         | Qty    |
| 1         |             | 1 pc   | Footboard              | A                        |  | M8 x 20 | 8 pcs  |
| 2         | 1605-86P05  | 2 pcs  | Footboard drawer       | B                        |  | M8      | 8 pcs  |
| 3         |             | 2 pcs  | Side rails             | C                        |  | M8 x 16 | 8 pcs  |
| 4         |             | 13 pcs | Slats                  | D                        |  | K4      | 1 pc   |
| 5         | 1605P04     | 2 sets | Pull w/screws          | E                        |  | M4 x 30 | 27 pcs |
| 6         | 1605-86P06  | 2 sets | Full extension glide   |                          |   |         |        |
| 7         |             | 1 pc   | Center support         |                          |   |         |        |
| 8         | 1605-87P02C | 3 pcs  | Center leg             |                          |   |         |        |
| 9         | 1605-86P02D | 3 pcs  | Drawer support legs    |                          |   |         |        |
| 10        |             | 1 pc   | Footboard drawer frame |                          |   |         |        |



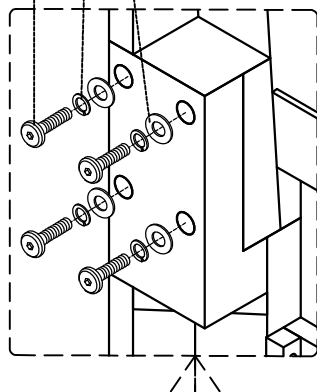
# jOFRAN INC.

**ASSEMBLY INSTRUCTIONS &  
PARTS IDENTIFICATION  
MODEL #1605-85+86+87  
JACKSON LODGE  
QUEEN STORAGE BED**

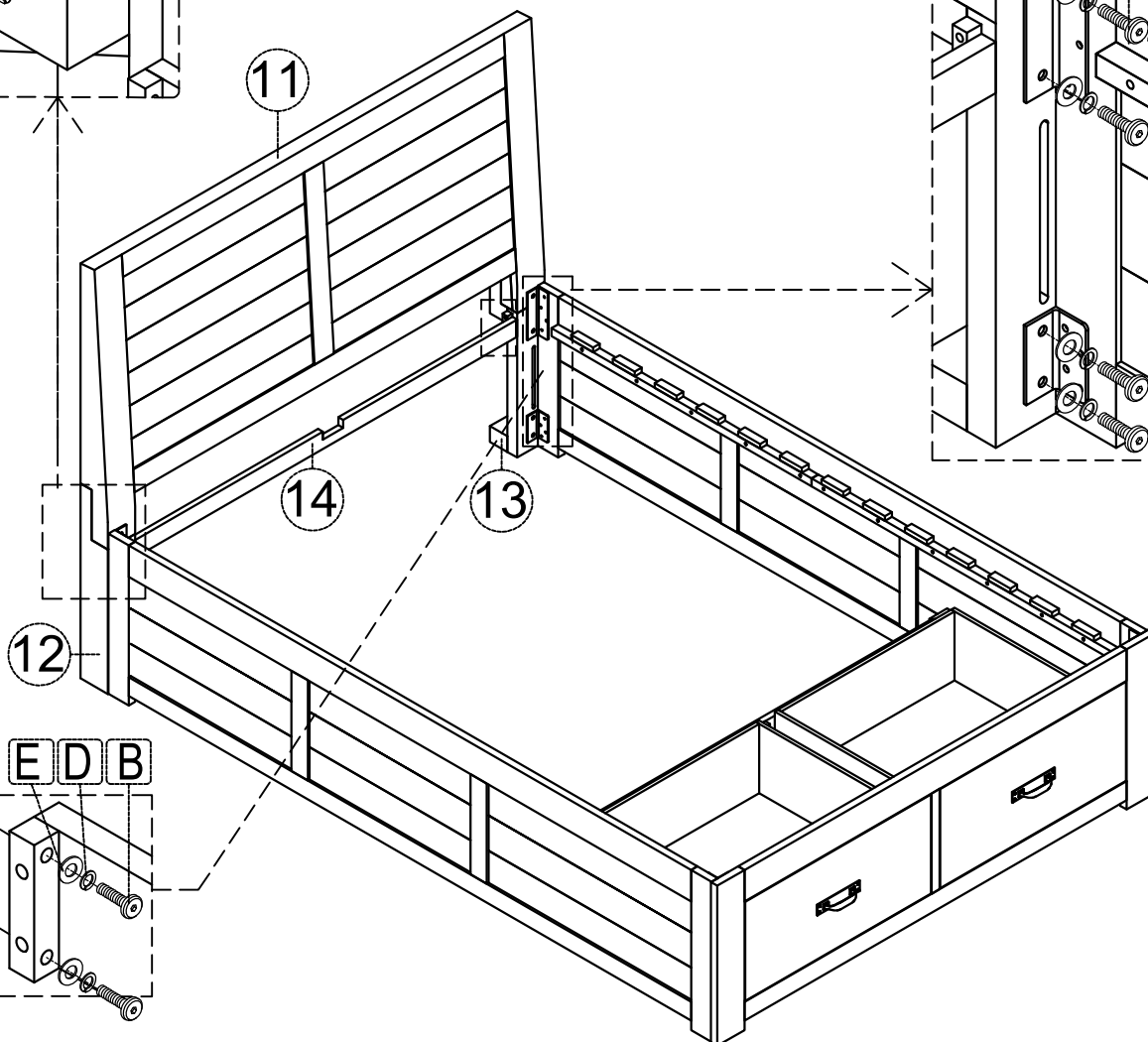
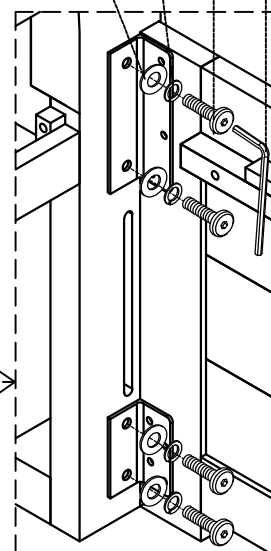
Thank you for purchasing this quality product. Be sure to check all packing material carefully for small parts that may have come loose inside the carton during shipment.

| Parts key |             |      |                  | Hardware kit #1605-85P01 |   |                             |        |
|-----------|-------------|------|------------------|--------------------------|---|-----------------------------|--------|
| No        | Code        | Qty  | Description      | No                       | Description   |                             | Qty    |
| 11        |             | 1 pc | Headboard        | A                        |  | Bolt Headboard Legs M8 x 60 | 8 pcs  |
| 12        | 1605-85P02L | 1 pc | Left Facing leg  | B                        |  | Bolt Back Stretcher M6 x 35 | 4 pcs  |
| 13        | 1605-85P02R | 1 pc | Right Facing leg | C                        |  | Bolt Side Rails M8 x 20     | 8 pcs  |
| 14        |             | 1 pc | Back Stretcher   | D                        |  | Lock washer M8              | 20 pcs |
|           |             |      |                  | E                        |  | Flat washer M8 x 16         | 20 pcs |
|           |             |      |                  | F                        |  | Allen Key K4                | 1 pc   |

**A D E**



**E D C F**

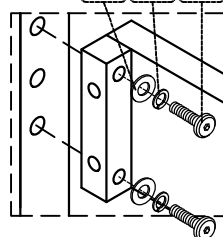


**12**

**14**

**13**

**E D B**



Thank you for purchasing this quality product. Be sure to check all packing material carefully for small parts that may have come loose inside the carton during shipment.

| Parts key |             |        |                        | Hardware kit #1605-87P01 |                 |         |        |
|-----------|-------------|--------|------------------------|--------------------------|-----------------|---------|--------|
| No        | Code        | Qty    | Description            | No                       | Description     |         | Qty    |
| 1         |             | 1 pc   | Footboard              | A                        | Bolt Side Rails | M8 x 20 | 8 pcs  |
| 2         | 1605-86P05  | 2 pcs  | Footboard drawer       | B                        | Lock washer     | M8      | 8 pcs  |
| 3         |             | 2 pcs  | Side rails             | C                        | Flat washer     | M8 x 16 | 8 pcs  |
| 4         |             | 13 pcs | Slats                  | D                        | Allen Key       | K4      | 1 pc   |
| 5         | 1605P04     | 2 sets | Pull w/screws          | E                        | Screw           | M4 x 30 | 27 pcs |
| 6         | 1605-86P06  | 2 sets | Full extension glide   |                          |                 |         |        |
| 7         |             | 1 pc   | Center support         |                          |                 |         |        |
| 8         | 1605-87P02C | 3 pcs  | Center leg             |                          |                 |         |        |
| 9         | 1605-86P02D | 3 pcs  | Drawer support legs    |                          |                 |         |        |
| 10        |             | 1 pc   | Footboard drawer frame |                          |                 |         |        |

