



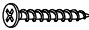
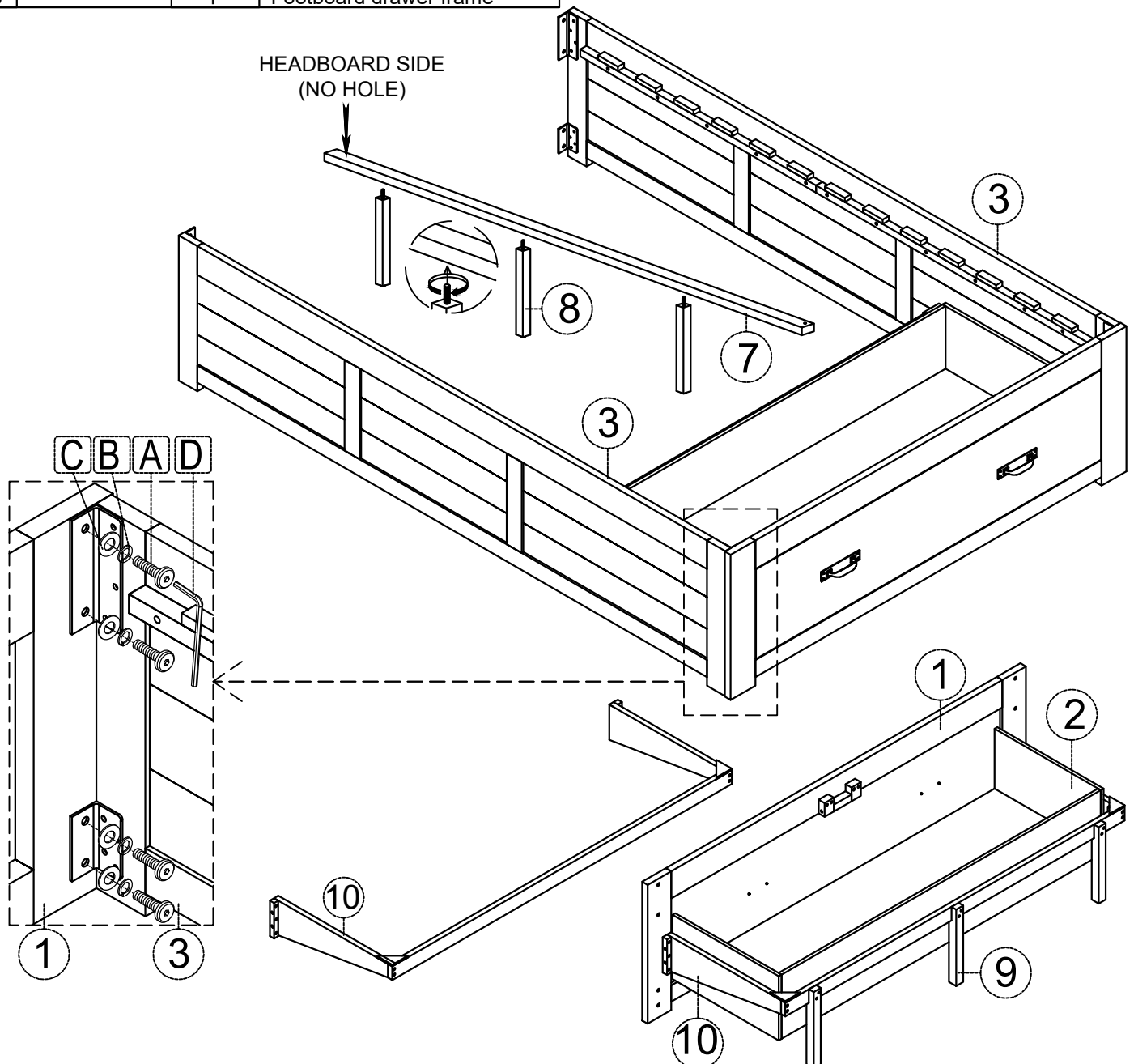


Thank you for purchasing this quality product. Be sure to check all packing material carefully for small parts that may have come loose inside the carton during shipment.

Parts key				Hardware kit #1605-77P01			
No	Code	Qty	Description	No	Description		Qty
1		1 pc	Footboard	A		M8 x 20	8 pcs
2	1605-76P05	1 pc	Footboard drawer	B		M8	8 pcs
3		2 pcs	Side rails	C		M8 x 16	8 pcs
4		12 pcs	Slats	D		K4	1 pc
5	1605P04	2 sets	Pull w/screws	E		M4 x 30	25 pcs
6	1605-76P06	1 set	Full extension glide				
7		1 pc	Center support				
8	1605-77P02C	3 pcs	Center leg				
9	1605-76P02D	3 pcs	Drawer support legs				
10		1 pc	Footboard drawer frame				

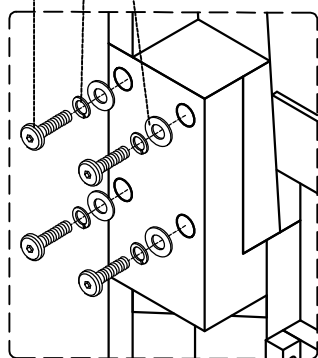


# jOFRAN INC.

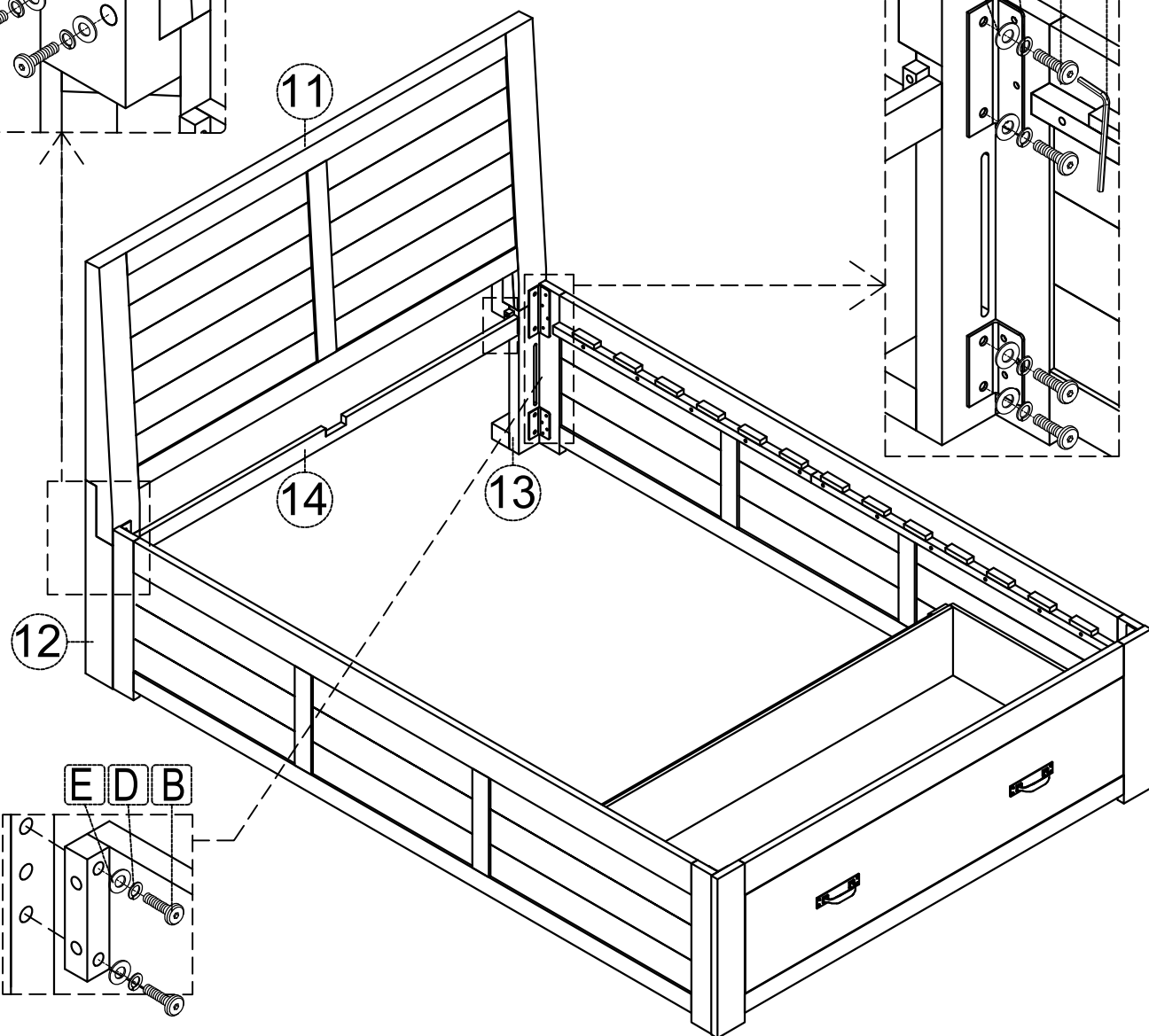
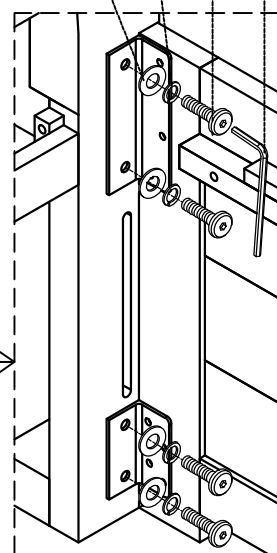
Thank you for purchasing this quality product. Be sure to check all packing material carefully for small parts that may have come loose inside the carton during shipment.

Parts key				Hardware kit #1605-75P01			
No	Code	Qty	Description	No	Description		Qty
11	1605-75	1 pc	Headboard	A	Bolt Headboard Legs	M8 x 60	8 pcs
12	1605-75P02L	1 pc	Left Facing leg	B	Bolt Back Stretcher	M6 x 35	4 pcs
13	1605-75P02R	1 pc	Right Facing leg	C	Bolt Side Rails	M8 x 20	8 pcs
14	1605-75P11B	1 pc	Back Stretcher	D	Lock washer	M8	20 pcs
				E	Flat washer	M8 x 16	20 pcs
				F	Allen Key	K4	1 pc

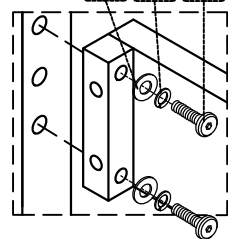
A D E







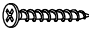
E D C F



E D B



Thank you for purchasing this quality product. Be sure to check all packing material carefully for small parts that may have come loose inside the carton during shipment.

Parts key				Hardware kit #1605-77P01			
No	Code	Qty	Description	No	Description		Qty
1		1 pc	Footboard	A		M8 x 20	8 pcs
2	1605-76P05	1 pc	Footboard drawer	B		M8	8 pcs
3		2 pcs	Side rails	C		M8 x 16	8 pcs
4		12 pcs	Slats	D		K4	1 pc
5	1605P04	2 sets	Pull w/screws	E		M4 x 30	25 pcs
6	1605-76P06	1 set	Full extension glide				
7		1 pc	Center support				
8	1605-77P02C	3 pcs	Center leg				
9	1605-76P02D	3 pcs	Drawer support legs				
10		1 pc	Footboard drawer frame				

