



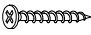
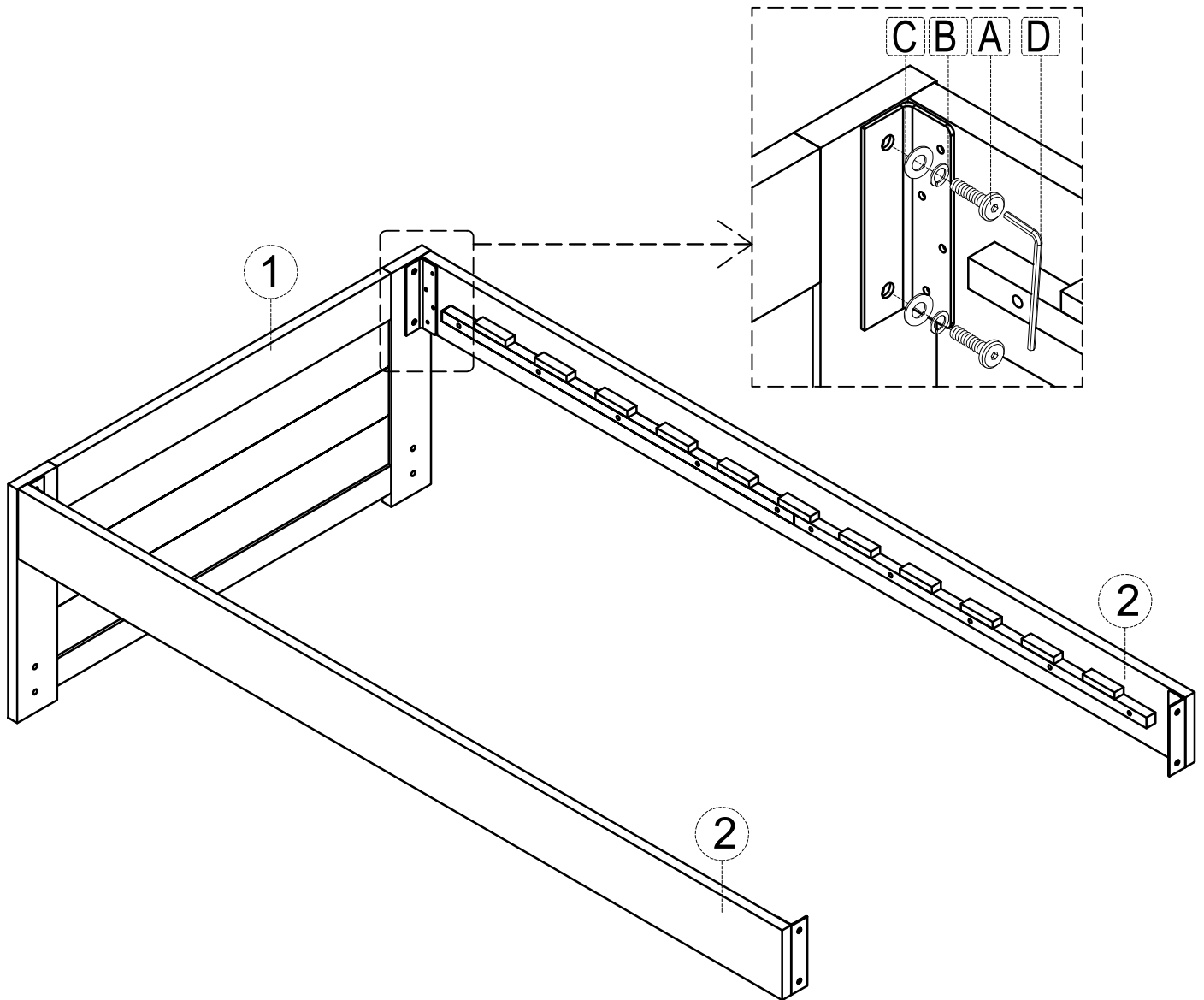


Thank you for purchasing this quality product. Be sure to check all packing material carefully for small parts that may have come loose inside the carton during shipment.

Parts key				Hardware kit #1605-64P01				
No	Code	Qty	Description	No	Description		Qty	
1	1605-63	1 pc	Footboard	A		Bolt Side Rails M8 x 20	4 pcs	
2	1605-64	2 pcs	Side rails	B		Lock washer M8	4 pcs	
3	1605-64P11	12 pcs	Slats	C		Flat washer M8 x 16	4 pcs	
				D		Allen Key K4	1 pc	
				E		Screw M4 x 30	24 pcs	



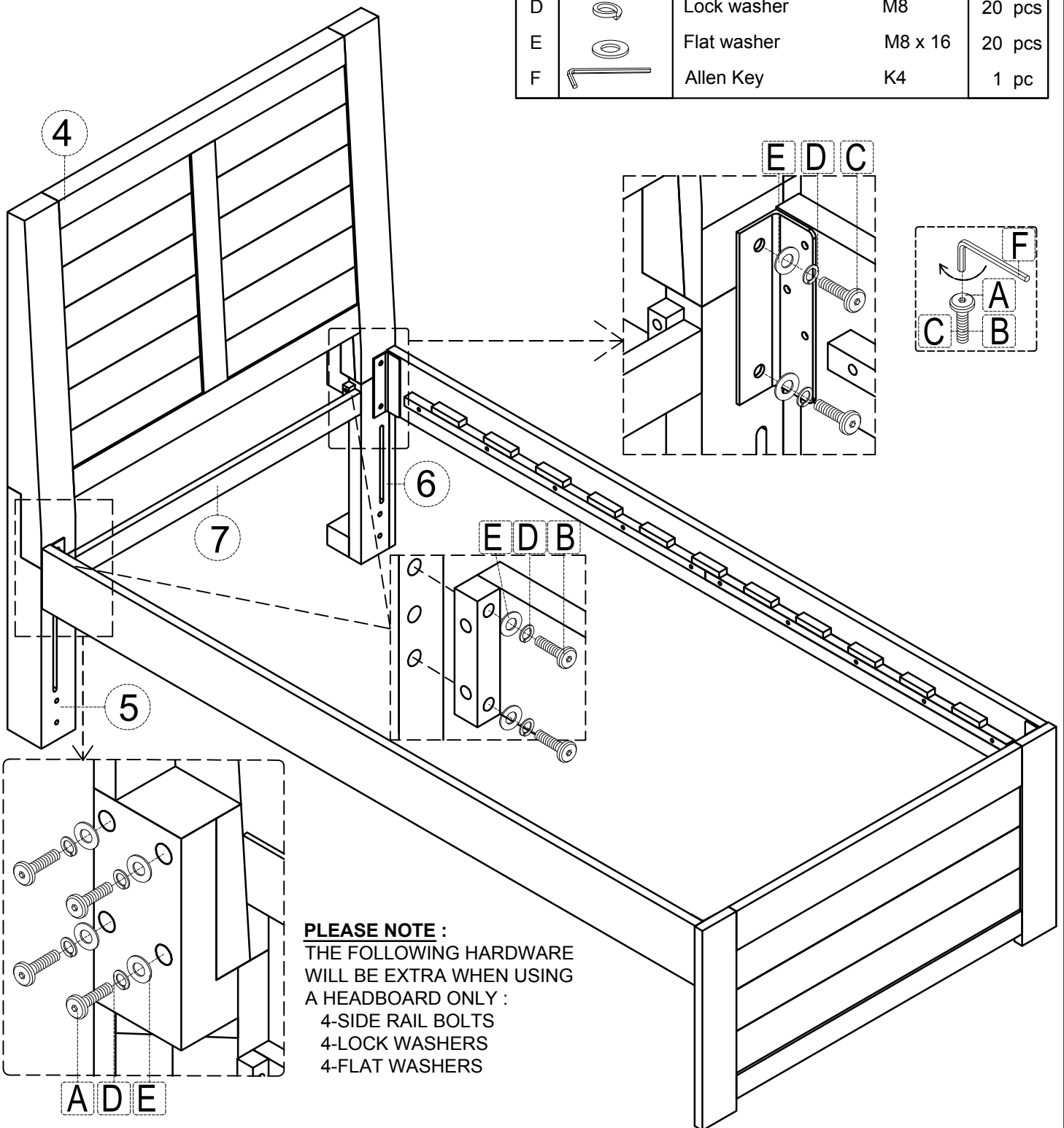
NON STORAGE PANEL BED

JOFRAN INC.

**ASSEMBLY INSTRUCTIONS &
PARTS IDENTIFICATION
MODEL #1605-63+64+65
JACKSON LODGE
TWIN PANEL BED**






Thank you for purchasing this quality product. Be sure to check all packing material carefully for small parts that may have come loose inside the carton during shipment.

Parts key				Hardware kit #1605-65P01			
No	Code	Qty	Description	No		Description	Qty
1	1605-65	1 pc	Headboard	A		Bolt M8 x 60 Headboard Legs	8 pcs
2	1605-65P02L	1 pc	Left Facing leg	B		Bolt M6 x 35 Back Stretcher	4 pcs
3	1605-65P02R	1 pc	Right Facing leg	C		Bolt M8 x 20 Side Rails	8 pcs
4	1605-65P11C	1 pc	Back Stretcher	D		Lock washer M8	20 pcs
				E		Flat washer M8 x 16	20 pcs
				F		Allen Key K4	1 pc



PLEASE NOTE :
THE FOLLOWING HARDWARE
WILL BE EXTRA WHEN USING
A HEADBOARD ONLY :
4-SIDE RAIL BOLTS
4-LOCK WASHERS
4-FLAT WASHERS

Thank you for purchasing this quality product. Be sure to check all packing material carefully for small parts that may have come loose inside the carton during shipment.

Parts key				Hardware kit #1605-64P01				
No	Code	Qty	Description	No	Description		Qty	
1	1605-63	1 pc	Footboard	A		Bolt Side Rails M8 x 20	4 pcs	
2	1605-64	2 pcs	Side rails	B		Lock washer M8	4 pcs	
3	1605-64P11	12 pcs	Slats	C		Flat washer M8 x 16	4 pcs	
				D		Allen Key K4	1 pc	
				E		Screw M4 x 30	24 pcs	

