



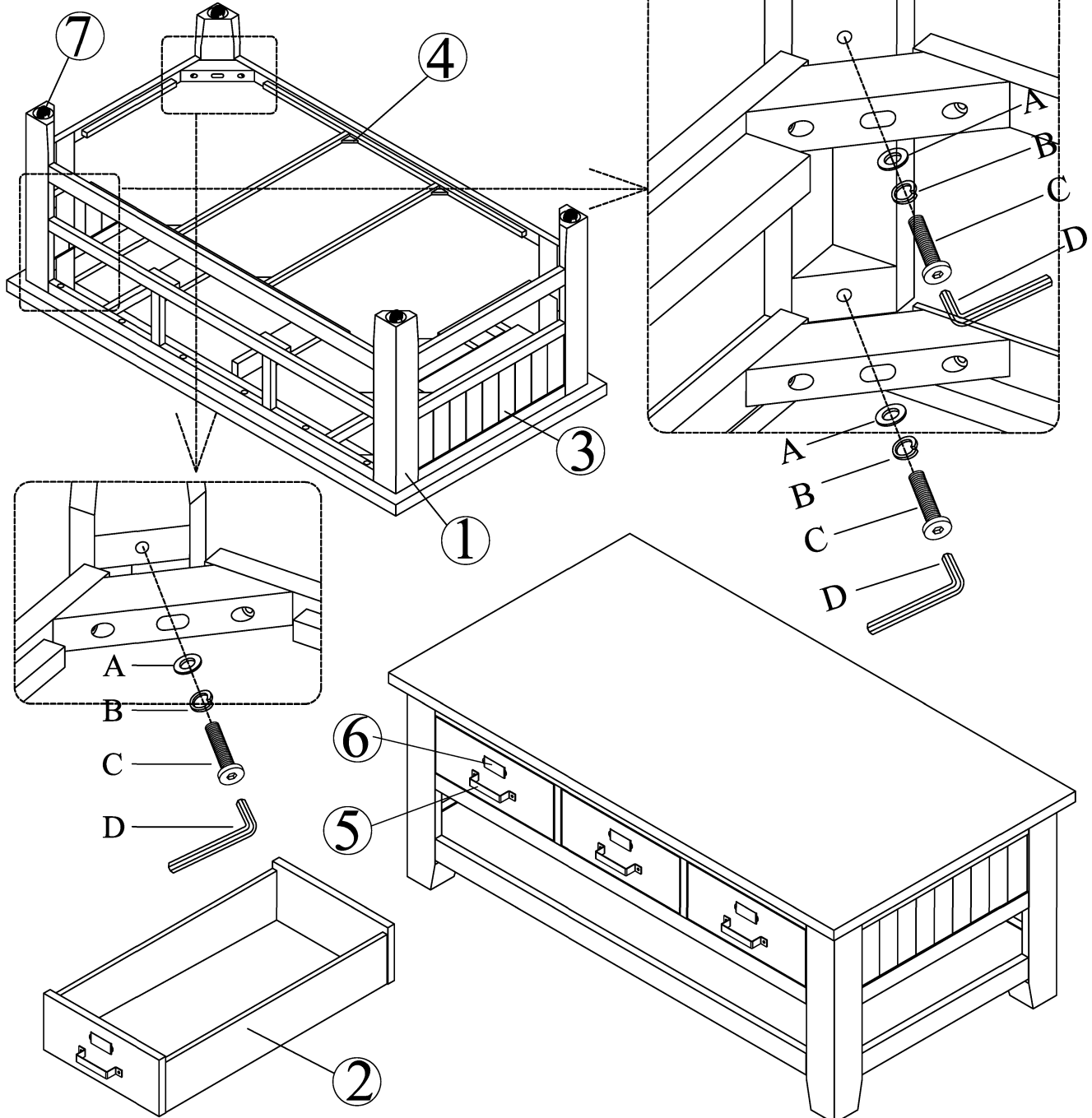


jOFRAN INC.

ASSEMBLY INSTRUCTIONS & PARTS IDENTIFICATION MODEL # 1510-1 CANNON VALLEY COFFEE TABLE

Thank you for purchasing this quality product. Be sure to check all packing material carefully for small parts that may have come loose inside the carton during shipment

Parts key				Hardware kit 1510-1P01		
No	Code	Qty	Description	No	Description	Qty
1	1510-1P02	4 Pcs	Leg	A	 Flat washer M8 x 18	12 Pcs
2	1510-1P05	3 Pcs	Drawer Complete	B	 Lock washer M8	12 Pcs
3		1 Pc	Storage Box	C	 Bolt M6 x 60	12 Pcs
4		1 Pc	Shelf	D	 Allen Key K4	1 Pc
5	1510-1P04A	6 Pcs	Pull w/Screws			
6	1510-1P04P	6 Pcs	Metal plate w/Screws			
7	1510-1P03	4 Pcs	Caster w/Screw			



MADE IN VIET NAM