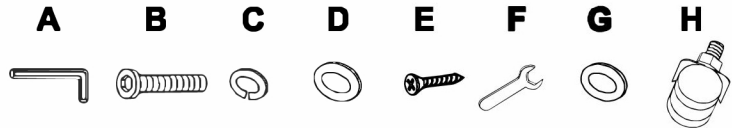
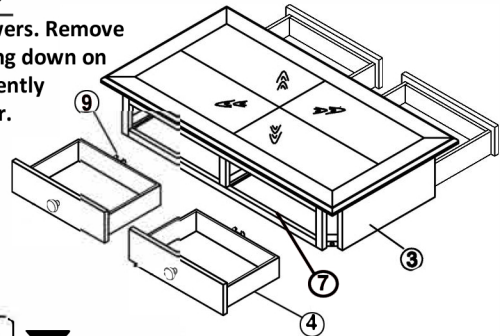


Hardware Kit (1037-1P01)			
Ltr	Q'ty	Description	Size
A	1 pc	Allen wrench	4mm
B	8 pcs	Bolt	1/4"Dia*2"
C	8 pcs	Lock washer	1/4"Dia
D	8 pcs	Flat washer	1/4"Dia*3/4"
E	4 pcs	Screw	#8*1-1/2"
F	1 pc	Wrench	13mm
G	4 pcs	Flat washer	5/16"Dia*3/4"
H	4 pcs	Caster	2"Dia



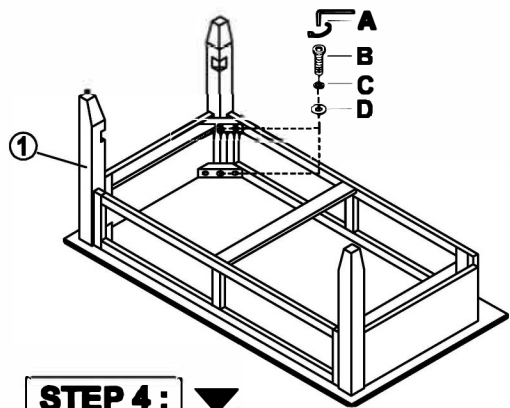
### STEP 1 : ▼

First pull out the drawers. Remove the drawers by pushing down on the plastic stop and gently pulling out the drawer.



### STEP 2 : ▼

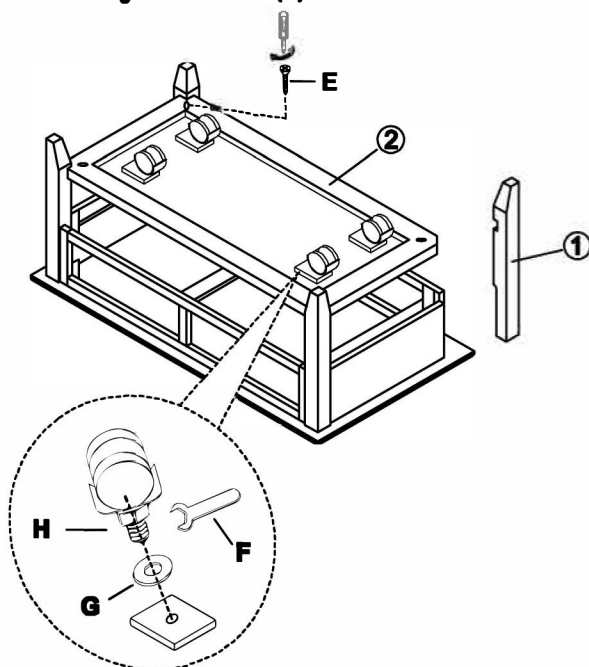
Carefully place the table top upside down on a smooth, flat surface to prevent scratches during assembly. Attach three legs to the top with Allen Bolt (B), Lock Washer (C), and Flat Washer (D) loosely tightening with provided Allen Wrench (A). Do not completely tighten bolts at this point.



Part List			
No.	Parts	Description	Q'ty
①	1037-1P02	Leg	4 pcs
②	1037-1P08	Shelf	1 pc
③	1037-1P51	Storage Box	1 pc
④	1037-1P05	Drawer	4 pcs
⑤	1037P04	Knob/Screw	4 sets
⑥	1037-1P03	Caster	4 pcs
⑦	1037P05A	Drawer Stop	4 pcs
8	1037-1P06	Drawer Glide	4 pcs
9	1037P06D	Drawer Support	4 pcs

### STEP 3 : ▼

Insert the shelf between the three legs. Add the fourth leg and secure with a bolt, lock washer and flat washer. Secure the shelf to the legs using Screws (E). Once the shelf is in place, fully tighten all screws and bolts. Attach the four casters (H) to the support wood block with a Flat Washer using the wrench (F)



### STEP 4 : ▼

Carefully turn the assembled table table to the upright position. Put back the drawers. Assembly is now complete.

