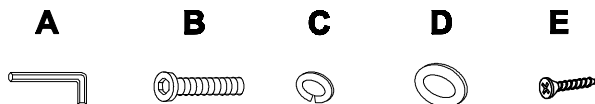


Hardware Kit (1032-3P01)

Ltr	Q'ty	Description	Size
A	1 pc	Allen wrench	4mm
B	8 pcs	Bolt	1/4"Dia*2"
C	8 pcs	Lock washer	1/4"Dia
D	8 pcs	Flat washer	1/4"Dia*3/4"
E	4 pcs	Screw	#8*1-1/2"

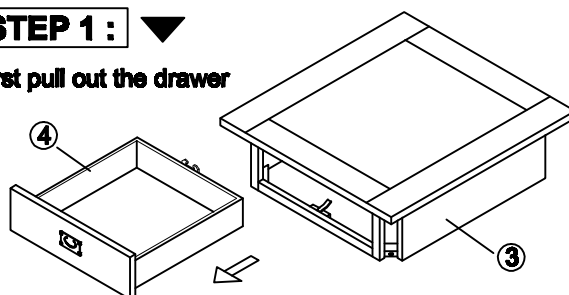
Part List

No.	Parts	Description	Q'ty
①	1032-3P02	Leg	4 pcs
②	1032-3P08	Shelf	1 pc
③	1032-3P51	Storage Box	1 pc
④	1032-3P05	Drawer	1 pc
⑤	1032P01F	Floor Glide	4 pcs
⑥	1032P04	Knob/Screw	1 set
⑦	1032P05A	Drawer Stopper	1 pc
⑧	1032-3P06	Drawer Glide	1pc



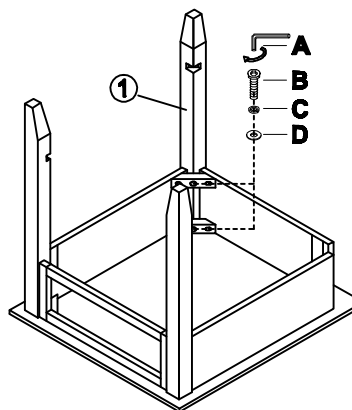
STEP 1 : ▼

First pull out the drawer



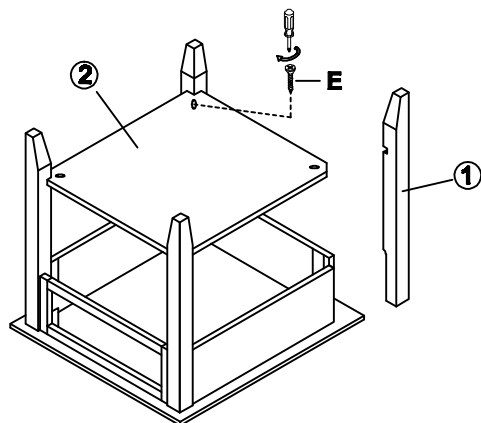
STEP 2 : ▼

Carefully place the table top upside-down on a smooth, flat surface to prevent scratches during assembly. Attach four legs to the table top with Allen bolt (B), Lock washer (C) and Flat washer (D), loosely tightening with provided Allen wrench (A). Do not completely tighten bolts at this point.



STEP 3 : ▼

Secure the shelf to the legs using screws (E). Once the shelf is in place fully tighten all bolts and screws.



STEP 4 : ▼

Carefully turn the assembled table the upright position. Put back the drawer. Assembly is now complete.

