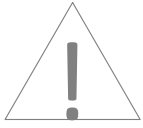




Assembly Instruction

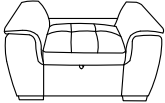
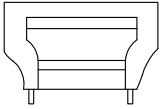
ITEM NO.: 9858GY/TP-1

CHAIR W/PULL-OUT OTTOMAN

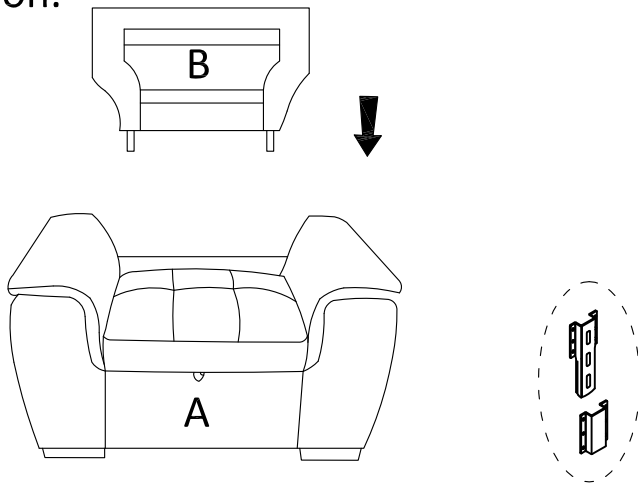


Note: Do not use power tools for assembly. Power tools increase the risk of over tightening which lead to splitting or cracking the wood.

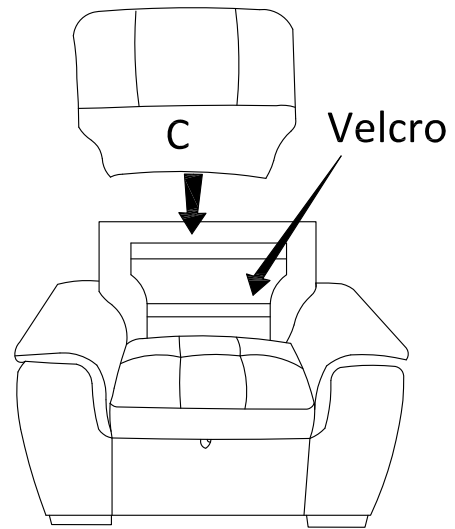
Component list .

No	Drawing	Qty	DESCRIPTION
A		1	CHAIR
B		1	BACK REST
C		1	BACK CUSHION

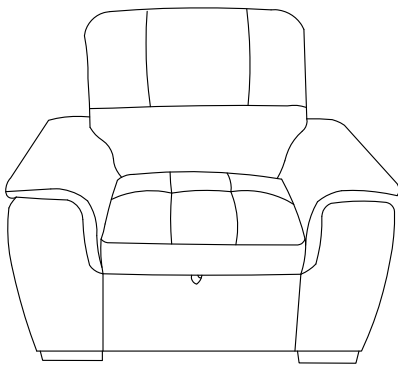
Step #1 Align back rest male bracket onto seat frame female bracket, push to the end to make sure it is secured in position.



Step #2 Align and attach back cushion Velcro to back rest.



Step #3 Chair assembly is completed.



Care Instruction for Furniture:

In order to maintain the original appearance of your furniture , please follow below simple care procedures:

- Avoid exposing furniture directly to sunlight or heating and air conditioning outlets. Sunlight and or exposure to heating and air conditioning outlets will fade/damage.
- Vacuum or wipe with a soft cloth to remove dust.



For items use on wooden floor, hard surfaces or carpets, it is recommended to Install protective pads under all legs and supports to avoid/prevent from damages/scratches and discoloration.