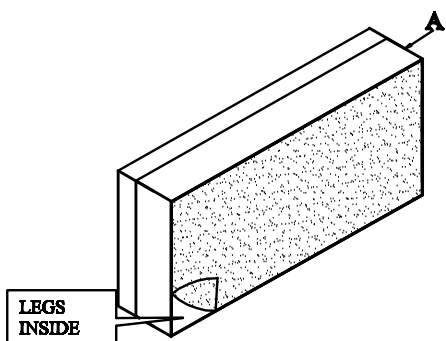




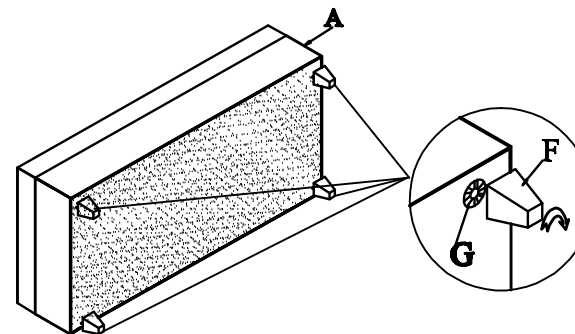
ASSEMBLY INSTRUCTION

ITEM NO :9789BU/DG/TL-4 OTTOMAN

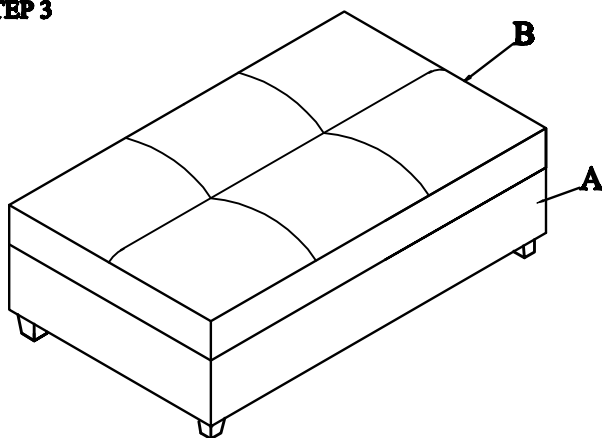
STEP 1



STEP 2

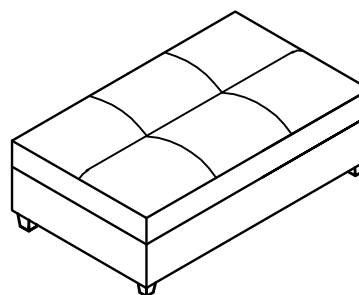


STEP 3



STEP 4

COMPLETED!



A	OTTOMAN	1PC
B	SEAT CUSHION	1PC
F	LEG	4PCS
G	GASKET	4PCS

NOTE: Legs are stored at the bottom of the unit, please take out for assembly .

CARE INSTRUCTION FOR FABRIC:

In order to maintain the original appearance of your fabric furniture, please follow below simple care procedure:

- **Avoid exposing furniture directly to sunlight or heating and air conditioning outlets. Exposure to sunlight or heating and air conditioning outlets will fade/damage fabric.**
- **Wipe gently with a damp soft cloth to remove dust, dirt and any grime build up.**
- **Wipe fabric with professional cleanser.**



It is recommended to install protective pads under all legs and supports to avoid damage or scratches when placing furniture on a wood floor or other hard surface, and to limit indentation and prevent discoloration if placing on carpet.



Il est recommandé de placer des coussins protecteurs sous tous les pieds et toutes les bases des meubles pour éviter d'endommager ou d'égratigner les planchers en bois ou autres surfaces dures, et pour limiter l'empreinte et empêcher la décoloration quand les meubles reposent sur la moquette.