



Assembly Instruction

ITEM NO: 9405BR-AC
ARMLESS CHAIR



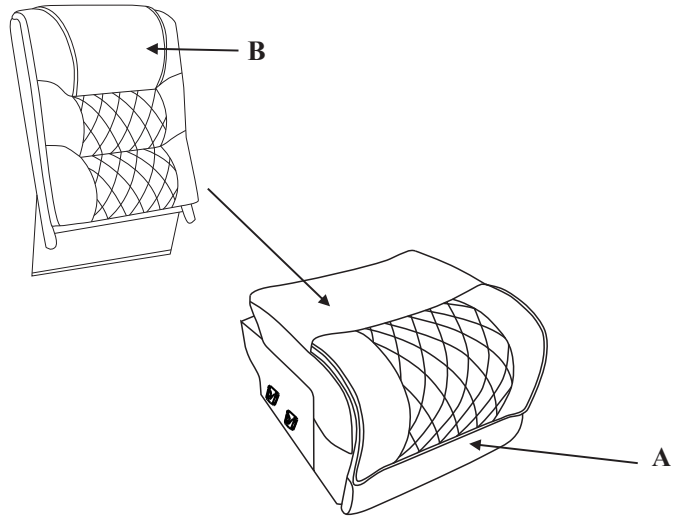
The back rest is placed on the seat, Pls take out for assembly

NOTE: Do not use power tools for assembly. Power tools increase the risk of over tightening which leads to splitting or cracking the wood.

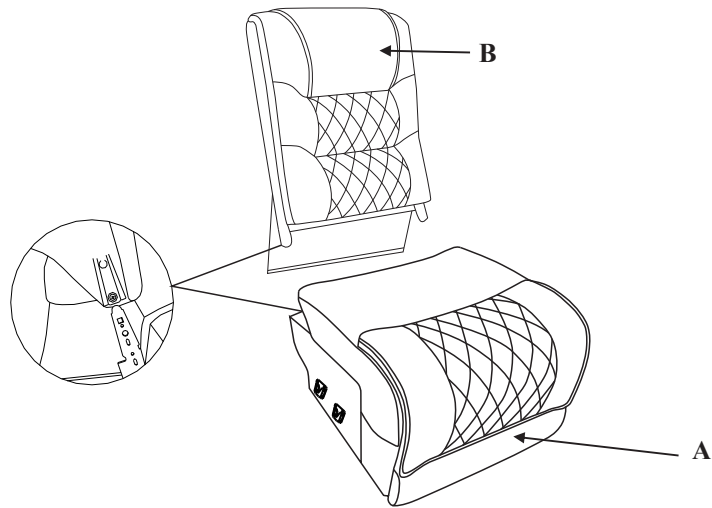
COMPONENT LIST

NO.	DRAWING	QTY	DESCRIPTION
A	A line drawing of a rectangular seat component with a diamond-patterned mesh on top and two small circular details on the side.	1	SEAT
B	A line drawing of a curved back rest component with a diamond-patterned mesh on the front and a curved top edge.	1	BACK REST

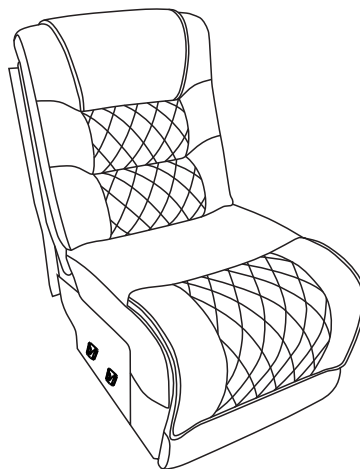
STEP# 1



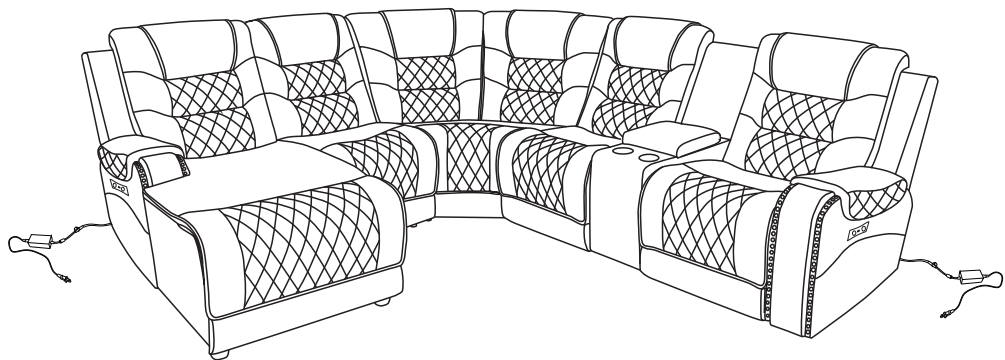
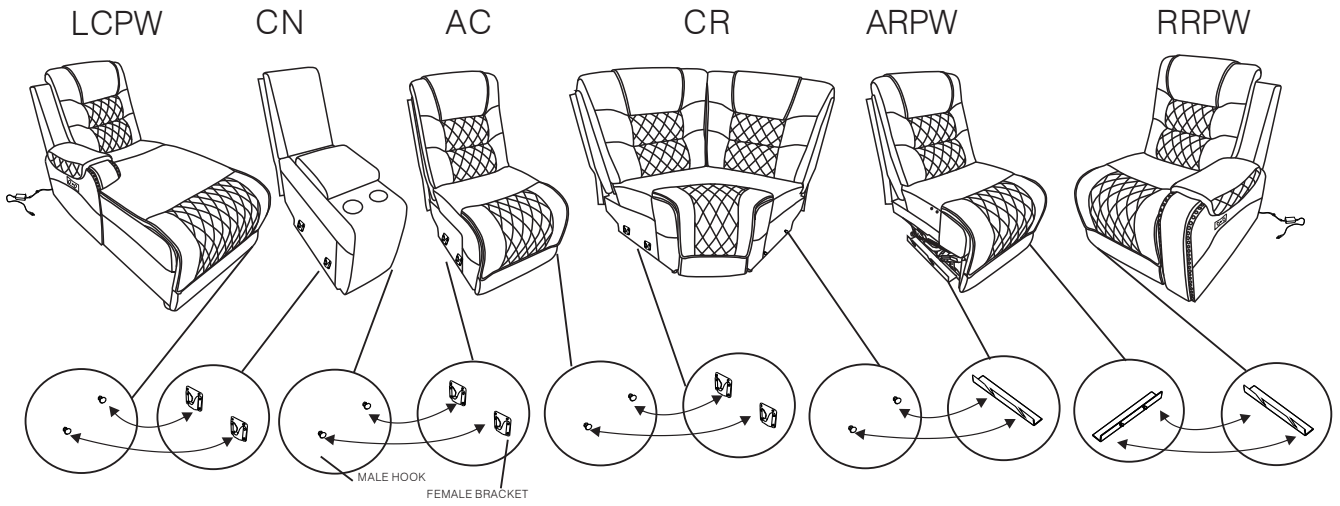
STEP# 2



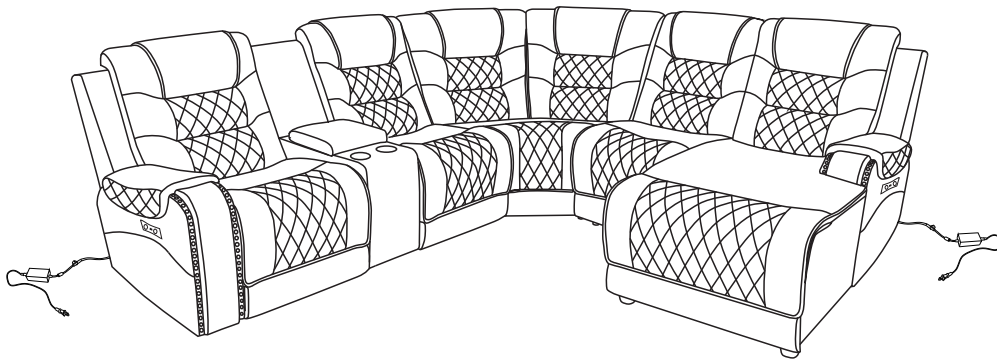
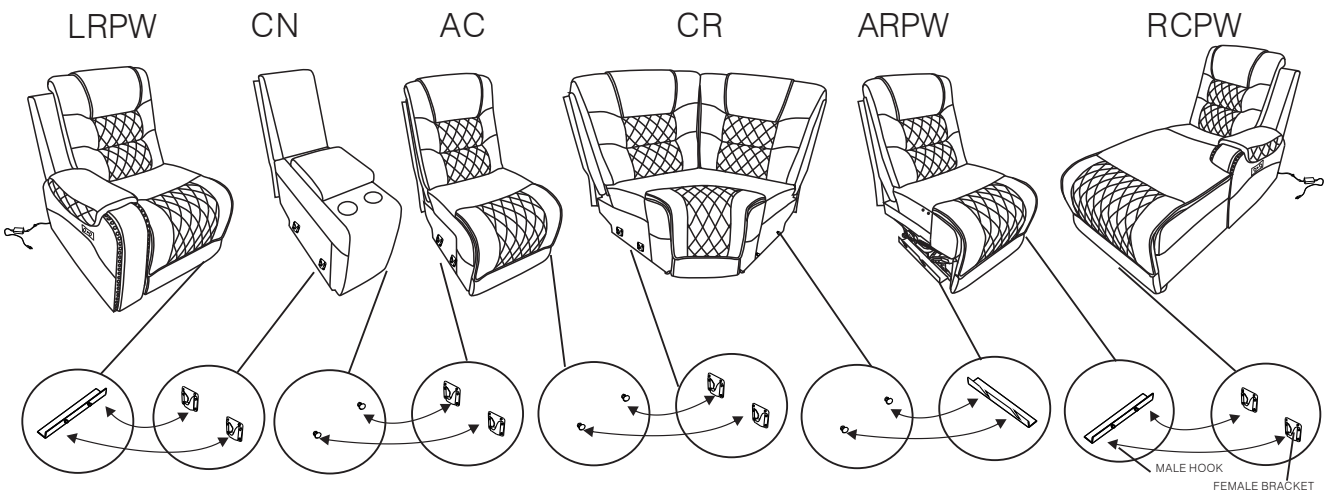
STEP# 3



1



2



Care Instruction for Polished Microfiber Match Furniture.

In order to maintain the original appearance of your polished microfiber match furniture, please follow below simple care procedures:

- Avoid exposing furniture directly to sunlight or heating and air conditioning outlets. Sunlight and/or exposure to heating and air conditioning outlets will fade/damage Leather gel match.
- Do not place your upholstered furniture too close to windows, radiators, or vents, and be sure to use windows, radiators, or vents.
- Vacuum or wipe with a soft brush to remove dust.



For items use on wooden floor, hard surfaces or carpets, it is recommended to Install protective pads under all legs and supports to avoid/prevent from damages/scratches and discoloration.