

ASSEMBLY INSTRUCTIONS

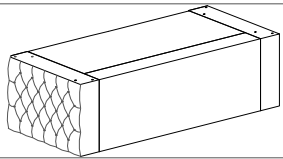
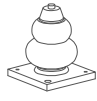
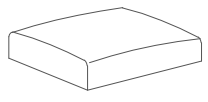
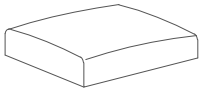
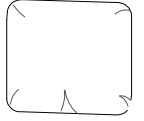
ITEM NO.:9349DBU/GRY-2 LOVE SEAT





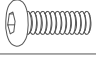

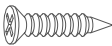
Legs & hardware are located on the item in the box , please take out for assembly.

Note: Do not use power tools for assembly. Power tools increase the risk of over tightening which lead to spilting or cracking the wood.

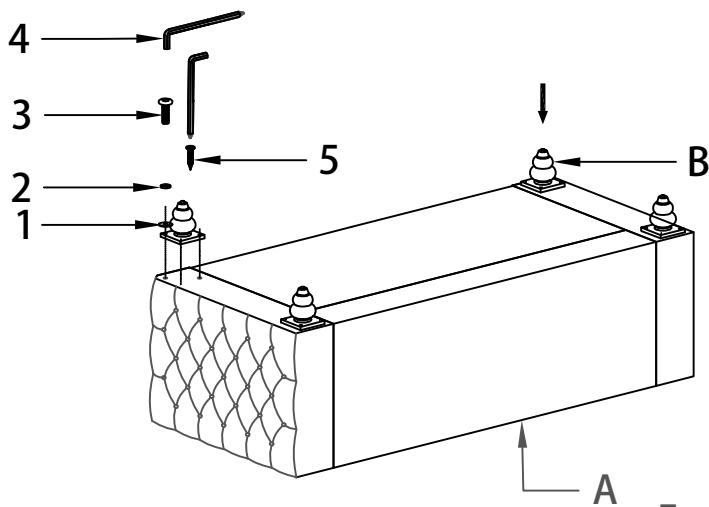
Component List

NO	Drawing	Qty	Description
A		1	SEAT
B		4	ACRYLIC LEG
C		1	RSF SEAT CUSHION
D		1	LSF SEAT CUSHION
E		2	PILLOW 18" * 18"

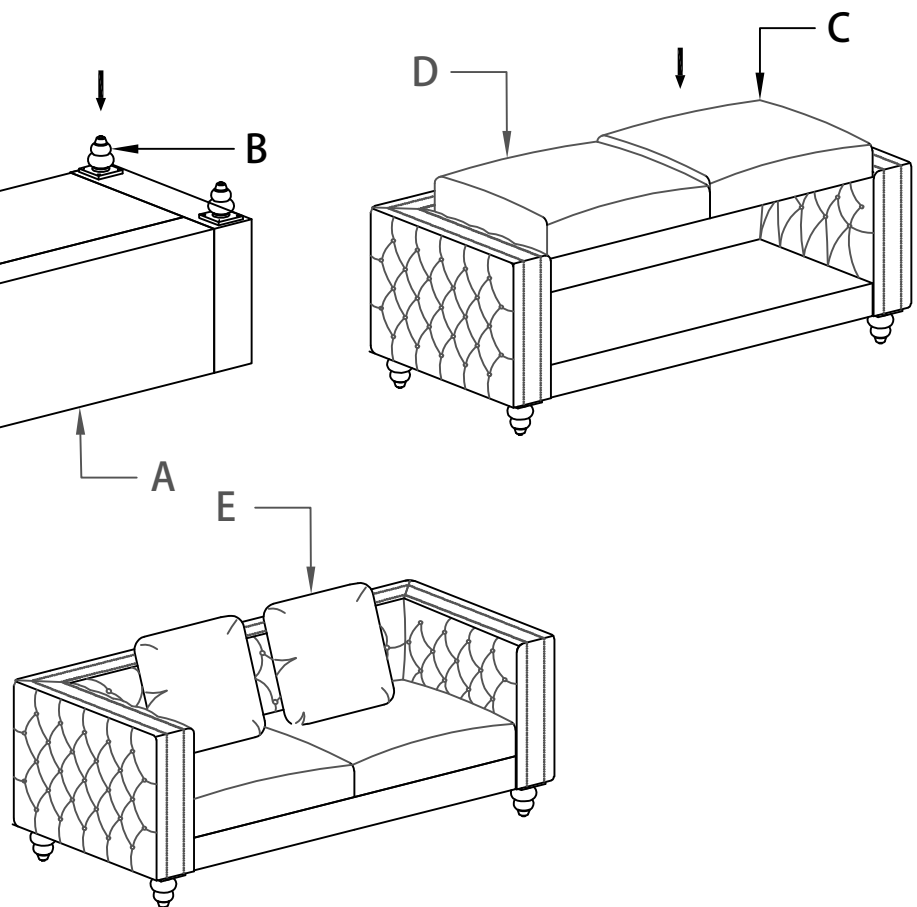
Hardware List

NO	Drawing	QTY	Description
1		8	FLAT WASHER
2		8	LOCK WASHER
3		8	BOLTS 5/16"*1.5"
4		1	ALLEN KEY
5		8	WOOD SCREW 5*1.5"

Step#1



Step#2



Care Instruction for velvet Furniture:

In order to maintain the original appearance of your velvet Furniture, please follow below simple care procedures:

- Avoid exposing furniture directly to sunlight or heating and air conditioning outlets. Sunlight and or exposure to heating and air conditioning outlets will fade/damage velvet
- Do not place your upholstered furniture too close to windows, radiators, or vent, and be sure to use windows,radiators, or vents.
- Vacuum or wipe with a cloth regularly to removed dust.



For items use on wooden floor,hard surfaces or carpets, it is recommended to install protective pads under legs and supports to avoid/provent from damages/scratches and discoloration.