



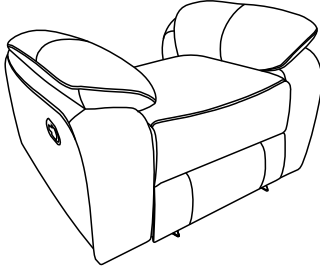
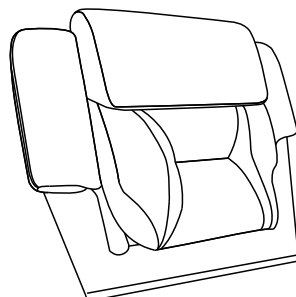
Assembly Instruction

ITEM NO.: 8229NDG-1

GLIDER RECLINING CHAIR

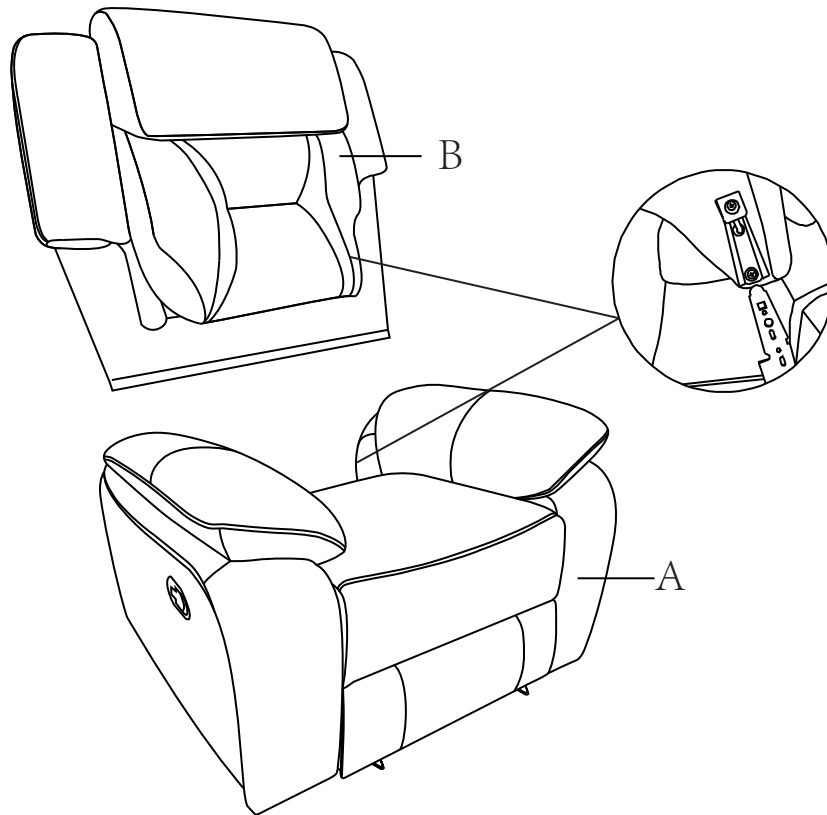
NOTE: Do not use power tools for assembly. Power tools increase the risk of over tightening which leads to splitting or cracking the wood

COMPONENT LIST

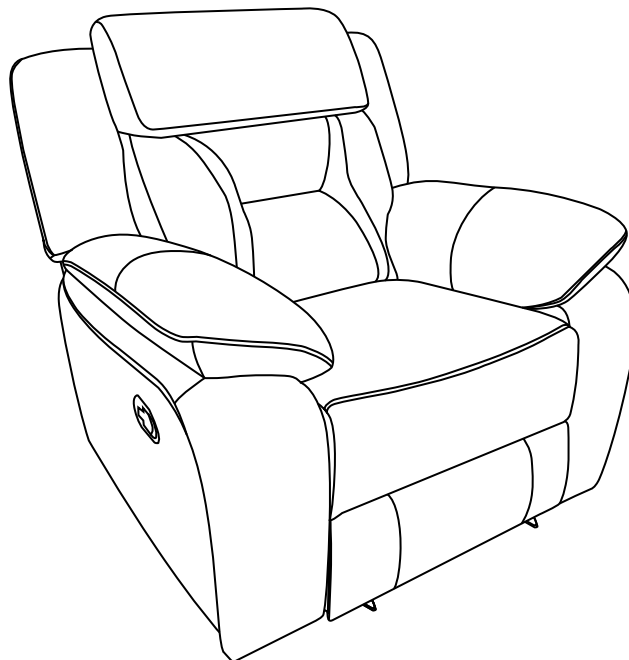
NO.	DRAWING	QTY	DESCRIPTION
A		1	SEAT
B		1	BACK REST

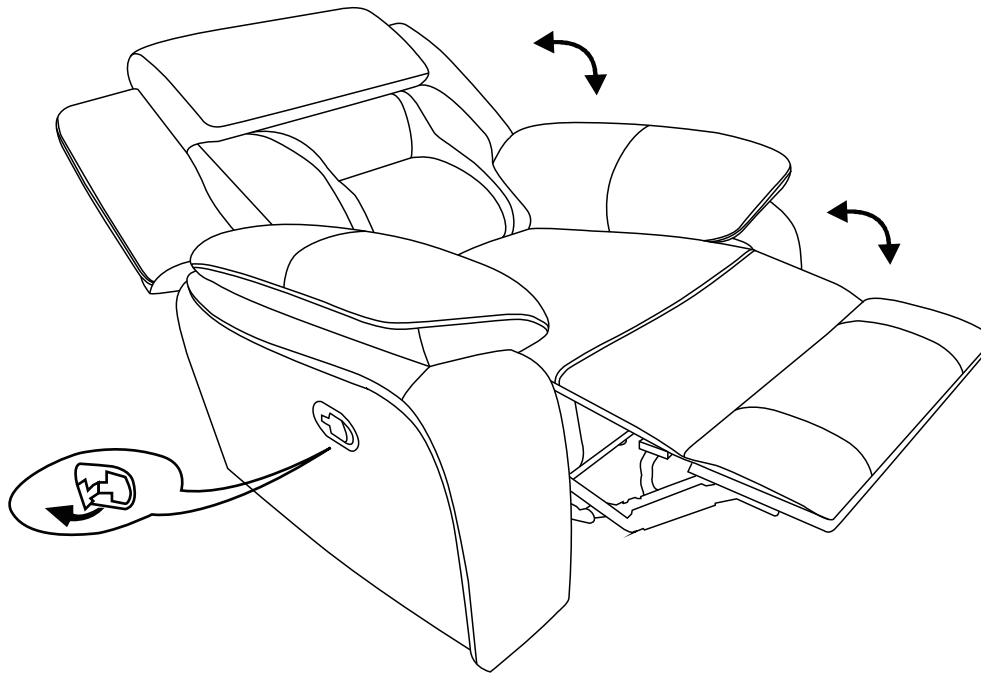
STEP# 1

Attach Back Rest (B) to the Seat(A) .



STEP#3





Care Instruction for Leather air Furniture.

In order to maintain the original appearance of your leather air furniture, please follow below care procedures.

- Avoid exposing furniture directly to sunlight or heating and air conditioning outlets. Sunlight and/or exposure to heating and air conditioning outlets will fade/damage leather air.
- Do not place your upholstered furniture too close to windows, radiators, or vents and be sure to use window, radiators, or vents.
- Vacuum or wipe with a soft brush to remove dust.



For items used on wooden floor, hard surfaces or carpets, it is recommended to install protective pads under all legs supports to avoid/prevent from damages/scratches discoloration.