





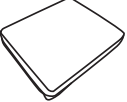
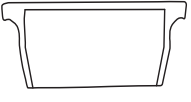



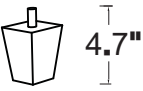
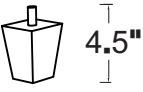



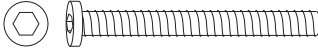
# Assembly Instruction

ITEM NO:8216DG / SD-2

## LOVE SEAT

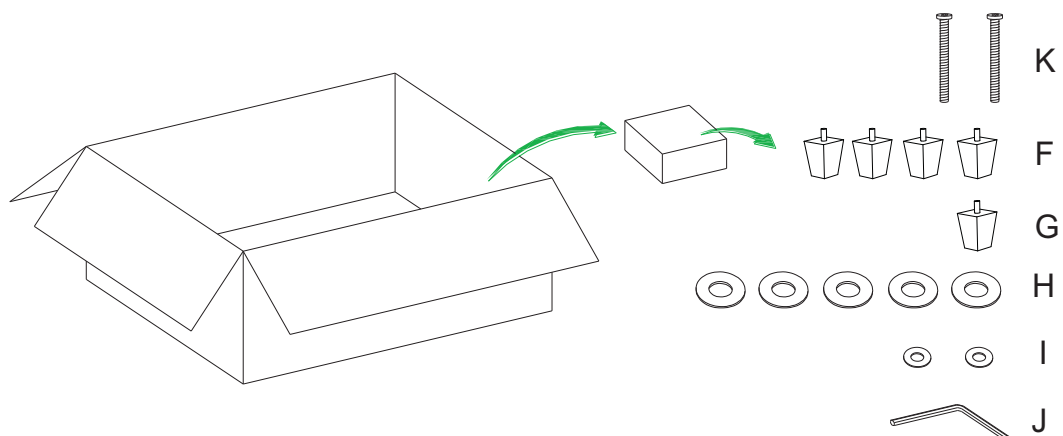
**NOTE: Do not use power tools for assembly. Power tools increase the risk of over tightening which lead to splitting or cracking the wood.**

### COMPONENT LIST

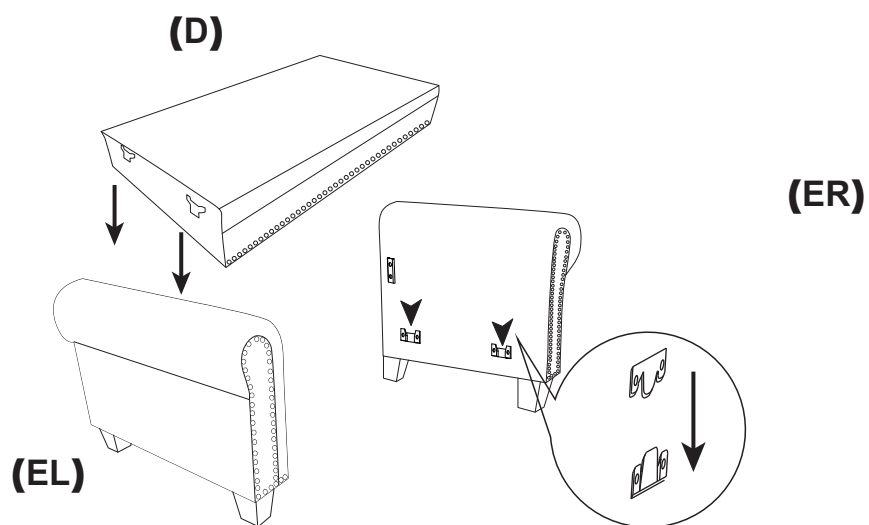
NO.	DRAWING	QTY	DESCRIPTION
AL		1	LSF BACK CUSHION
AR		1	RSF BACK CUSHION
B		2	SEAT CUSHION
C		1	BACK REST
D		1	SEAT FRAME
EL		1	LEFT ARM FRAME
ER		1	RIGHT ARM FRAME
F		4	PLASTIC LEG
G		1	CENTER SUPPORT PLASTIC LEG
H		5	PLASTIC WASHER
I		2	FLAT WASHER
J		1	ALLEN KEY
K		2	BOLT

Please follow the drawings below to assemble the item.  
Plastic legs are stored in the box, please take out for assembly.

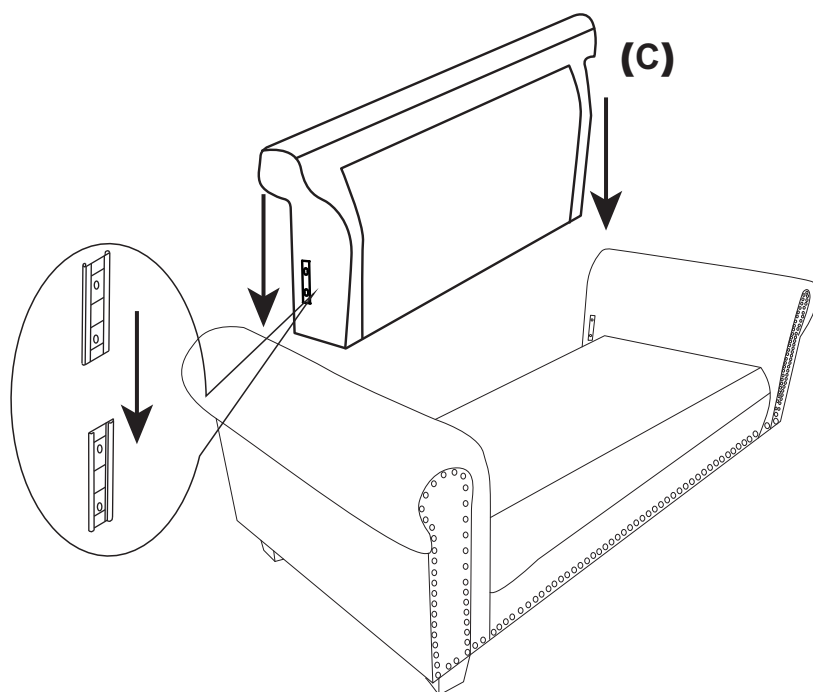
**Step 1.**



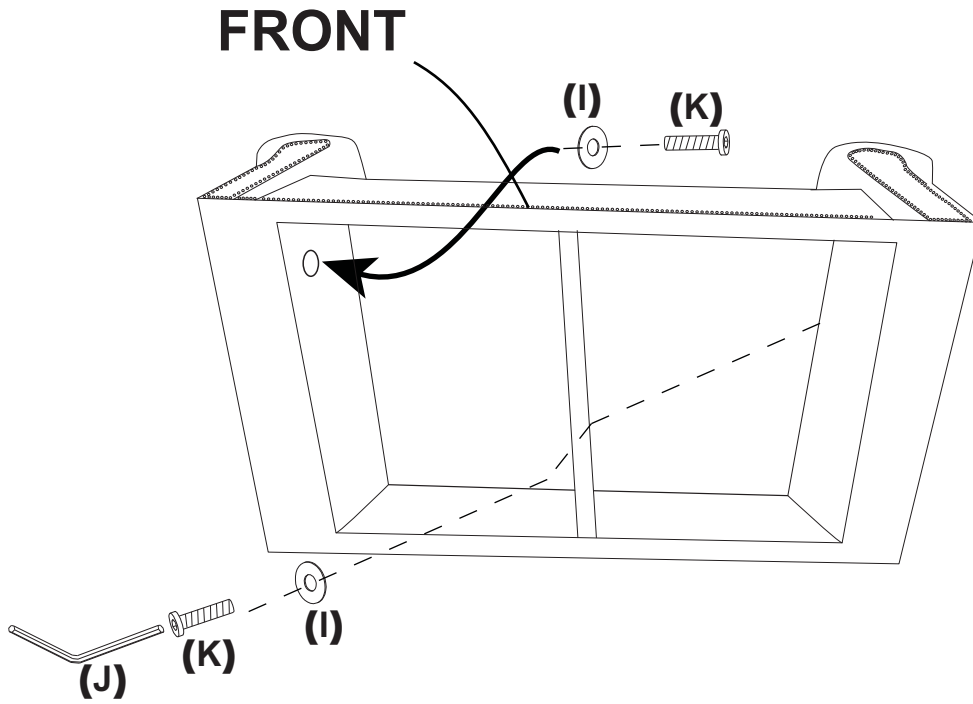
**Step 2.**



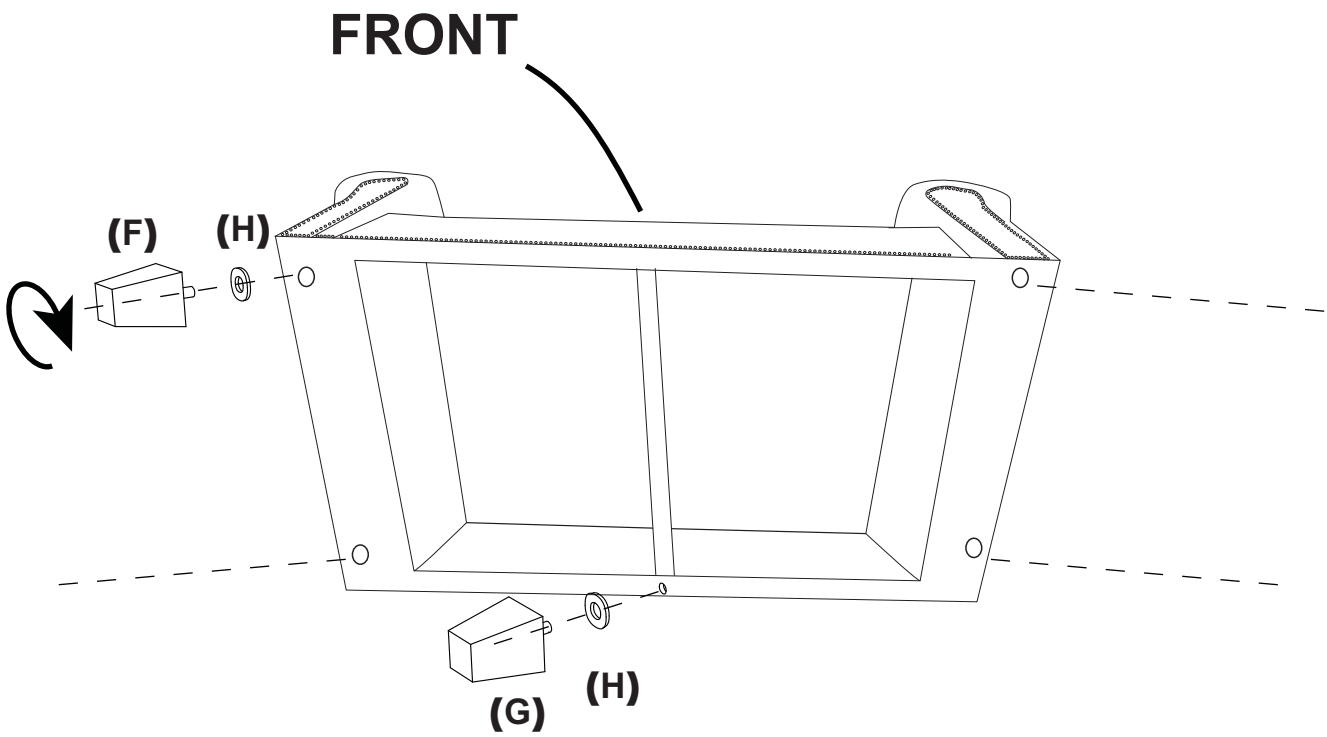
**Step 3.**



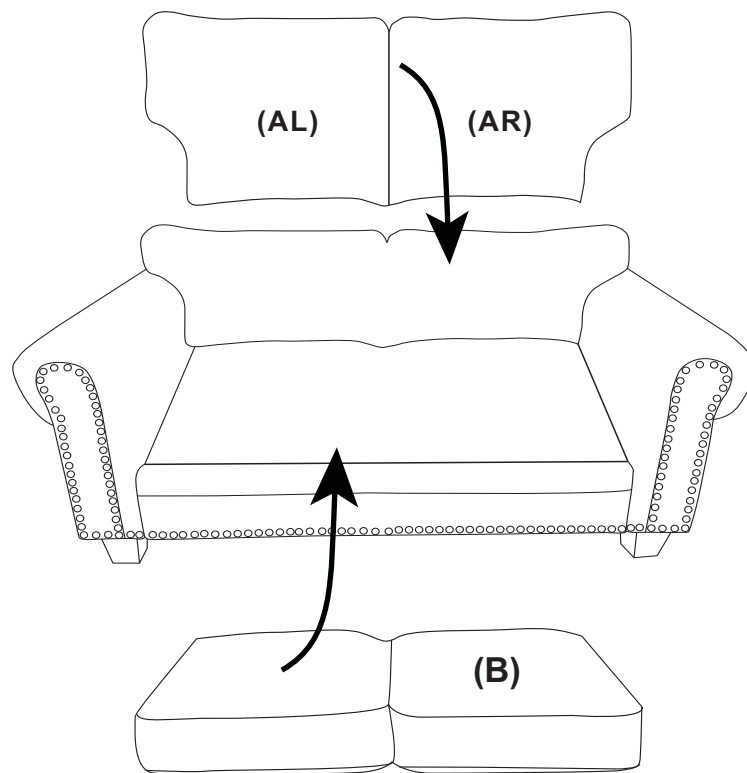
**Step 4.**



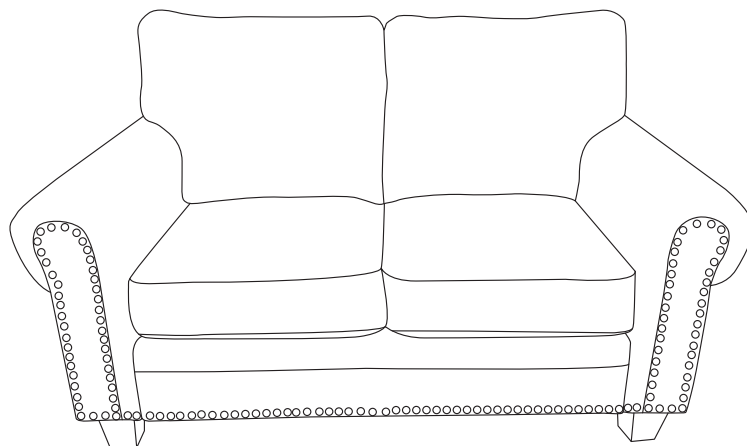
**Step 5.**



## Step 6.



## Completed.



## CARE INSTRUCTION FOR 100% POLYESTER FURNITURE:

In order to maintain the original appearance of your 100% polyester furniture, please follow below care procedures:

- Avoid exposing furniture directly to sunlight or heating and air conditioning outlets. Sunlight and / or exposure to heating and air conditioning outlets will fade/damage 100% polyester. Do not place your upholstered furniture too close to windows, radiators, or vents, and be sure to use window treatments to block the sun's rays.
- Wipe with a soft brush to remove dust.
- Wipe 100% polyester with professional cleanser.



For items use on wooden floor, hard surfaces or carpets, it is recommended to Install protective pads under all legs and supports to avoid/prevent from damages/scratches and discoloration.