

# ASSEMBLY INSTRUCTION INSTRUCTIONS D'ASSEMBLAGE

Item : 5603WW-36

Description : COUNTER HEIGHT TABLE

Thank you for purchasing the product. Please take time to read and follow the instruction below. Check that you have all parts hardware before assembly. Parts apparently missing are often found in the packing materials. If you do not have all the parts listed, have your dealer contact us they will be sent to you immediately.

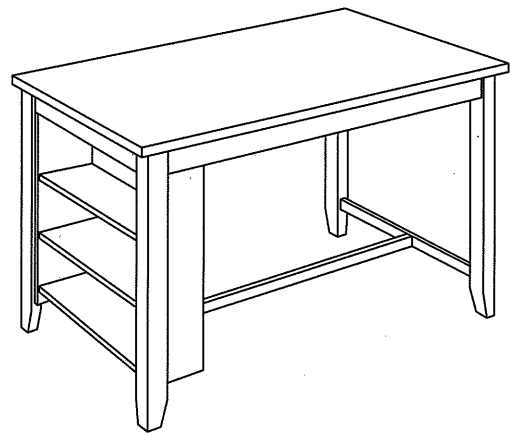
Merci d'avoir achete ce produit. veuillez lire et suivre les instructions ci-dessous. Verifiez avant le montage que vous avez toutes les pieces et fixations. Les pieces qui semblent manquer se trouvent souvent dans les materiaux d emballage. Si vous n avez pas toutes les pieces de la liste, demandez a votre detailliant ety nous vous les enverrons immediatement.

⚠ It is recommended to install protective pads under all legs and supports to avoid damage or scratches when placing furniture on a wood floor or other hard surface, and to limit indentation and prevent discoloration if placing on carpet.

⚠ Il est recommande de placer des coussins protecteurs sous tous les pieds et toutes les bases des meubles pour eviterd endommager ou d egrantigner les planchers en bois ou autres surfaces dures, et pour limiter l'empreinte et empecher la decolorations quand les meubles resposent sur la moquette.

PARTS LIST		
NO	DESCRIPTION	QTY/PCS
1.	TABLE TOP	1 PC
2.	TABLE STORAGE	1 PC
3.	TABLE LEG (MARKRD 1 & 2)	2 PCS
4.	TABLE LEG (MARKRD 3 & 4)	2 PCS
5.	SHORT STRETCHER	1 PC
6.	LONG STRETCHER	1 PC

HARDWARE LIST		
NO	DESCRIPTION	QTY/PCS
A.	JCBC BOLT M6 X 35MM	6 PCS
B.	HEX BOLT 5/16" X 2 1/2"	8 PCS
C.	SPRING WASHER 5/16"	14 PCS
D.	FLAT WASHER M8 X 16MM	6 PCS
E.	FLAT WASHER 5/16"	8 PCS
F.	CSK SCREW M3.5 X 12MM	6 PCS
G.	CSK SCREW M4 X 38MM	2 PCS
H.	'T' METAL BRACKET	1 PC
I.	'L' METAL BRACKET	1 PC
J.	ALLEN KEY M4 (SHORT)	1 PC
K.	WRENCH 12.8MM	1 PC

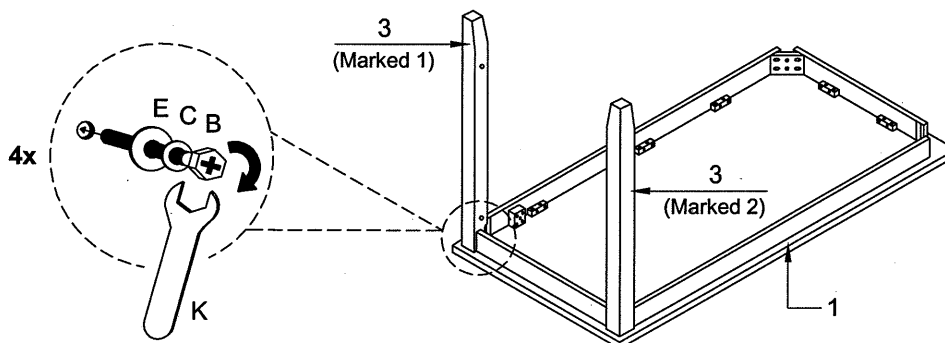


**ASSEMBLY COMPLETED**

NOTE : YOU WILL ALSO NEED A PHILLIP SCREWDRIVER (NOT PROVIDED) / VOUS AUREZ ÉGALAMENT BESOIN D'UN TOURNEVIS PHILIP (NON FOURNI)

## STEP 1

Place the Table Top (1) on a piece of cloth to prevent finish from scratching. Attached Table Leg (3) following the marking given to the corner block of Table Top (1) and secure it with Flat Washer (E), Spring Washer (C) and Hex Bolt (B), tighten it using Wrench (K).



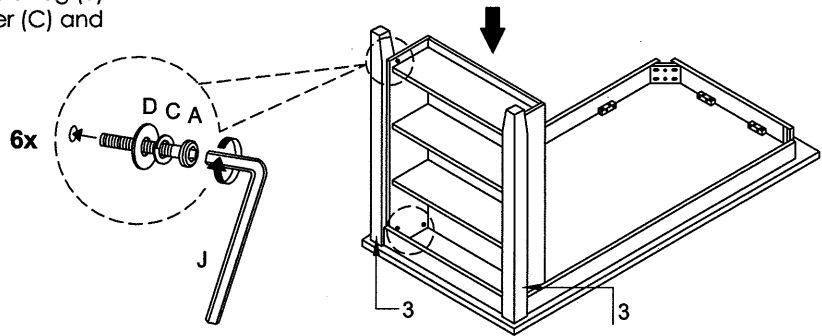
### NOTE:

DO NOT TIGHTEN BOLTS UNTIL COMPLETELY ASSEMBLED.

NE PAS SERRER LES BOULONS JUSQU'À CE QUE LE MONTAGE SOIT COMPLETMENT TERMINE

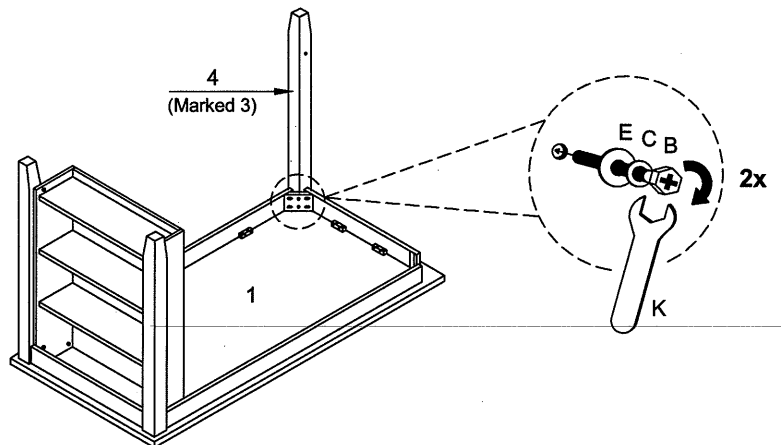
### STEP 2

Insert the complete Table Storage (2) to the Table Leg (3) and secure it with Flat Washer (D), Spring Washer (C) and JCBC Bolt (A) and tighten using Allen Key (J).



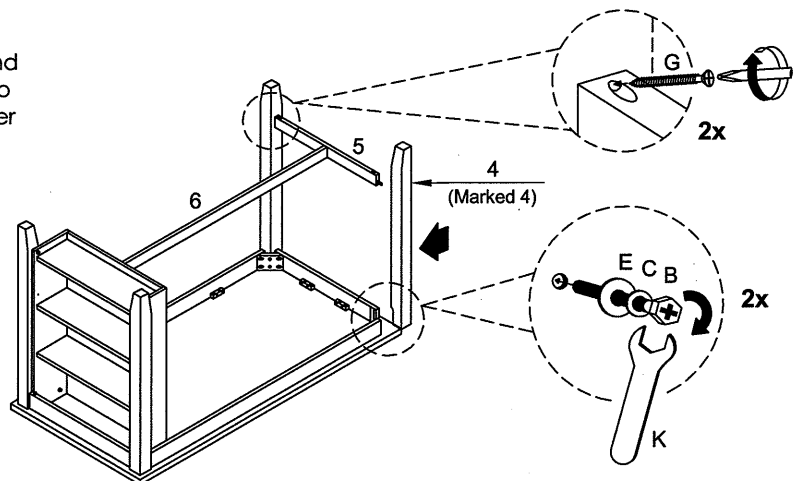
### STEP 3

Attached Table Leg (4) to the corner block of Table Top (1) and secure it with Flat Washer (E), Spring Washer (C) and Hex Bolt (B), tighten it using Wrench (K).



### STEP 4

Connect the Long Stretcher (6) to the Table Storage (2) and Short Stretcher (5). Then attached the Short Stretcher (5) to the Table Leg (4). Secure the Table Leg (4) with Flat Washer (E), Spring Washer (C) and Hex Bolt (B) and tighten with Wrench (K). Insert CSK Screw (G) to the holes at Short Stretcher (5) and tighten all screw with Phillip Head Screwdriver (not provided).



### STEP 5

Place the 'T' Metal Bracket (H) and the 'L' Metal Bracket (I) following the diagram below and secure it with CSK Screw (G).

