

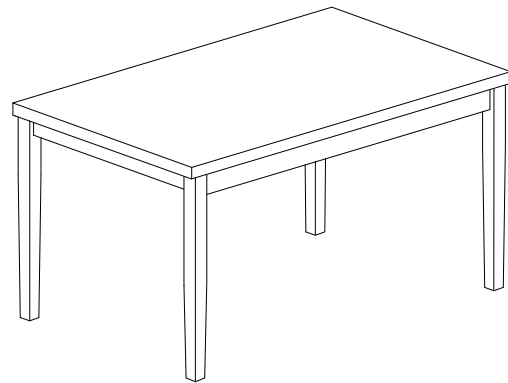
ASSEMBLY INSTRUCTION



ITEM DESCRIPTION : 5039-48 DINING TABLE

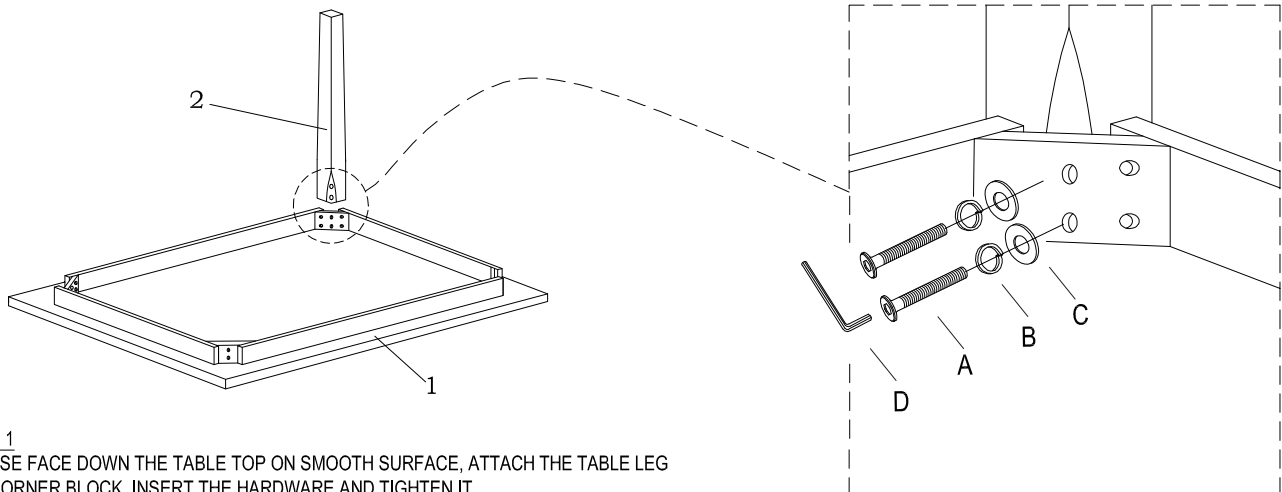
IMPORTANT NOTE:

- PLACE ALL WOODEN PARTS ON A CLEAN AND SMOOTH SURFACE SUCH AS A RUG OR CARPET TO AVOID THE PARTS FROM SCRATCHED.
- BEFORE YOU ASSEMBLE THE TABLE, KINDLY FOLLOW THE ASSEMBLE INSTRUCTIONS STEP BY STEP.

PART LIST		
NO	DESCRIPTION	QTY
1	TABLE TOP	1 PC
2	TABLE LEG	4 PCS



HARDWARE LIST		
NO	DESCRIPTION	QTY
A	JCBC BOLT M6 x 55MM 	8 PCS
B	SPRING WASHER M6 x 12.5MM 	8 PCS
C	FLAT WASHER M6 x 19MM 	8 PCS
D	SHORT ALLEN KEY M4 	1 PC



STEP 1
 PLEASE FACE DOWN THE TABLE TOP ON SMOOTH SURFACE, ATTACH THE TABLE LEG AT CORNER BLOCK. INSERT THE HARDWARE AND TIGHTEN IT.
 **FOLLOW THE SAME STEP FOR OTHER LEG.