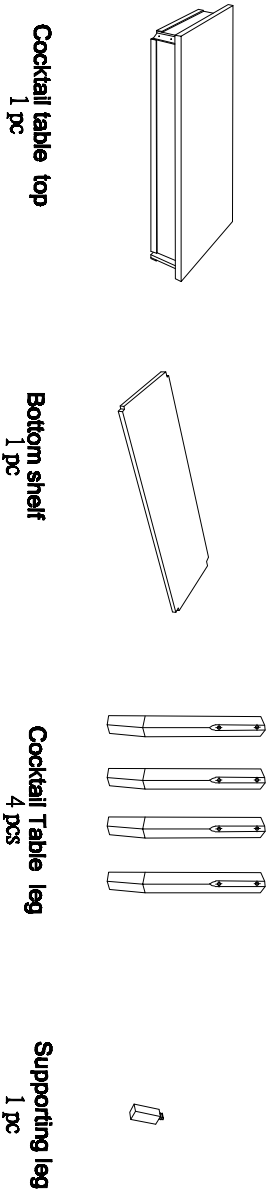


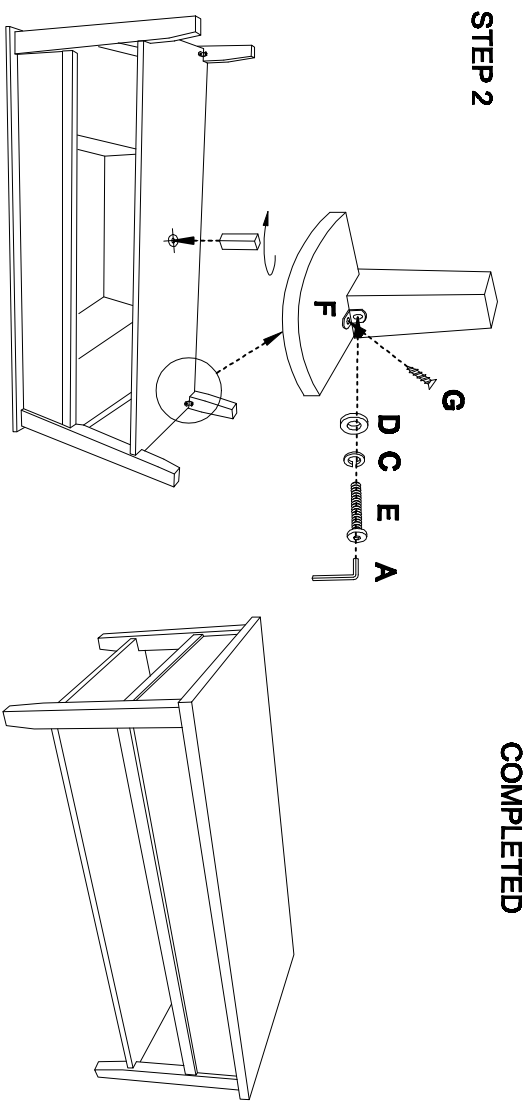
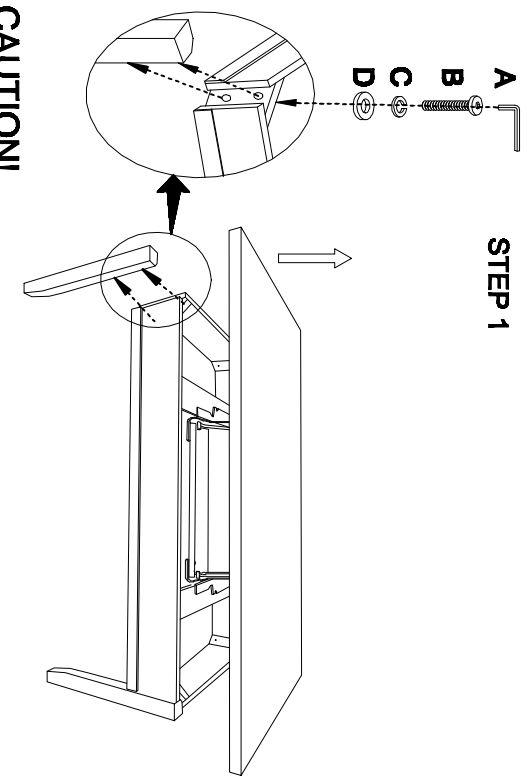
ASSEMBLY INSTRUCTION

3447-30 LIFT TOP CKTL TABLE WITH SHELF

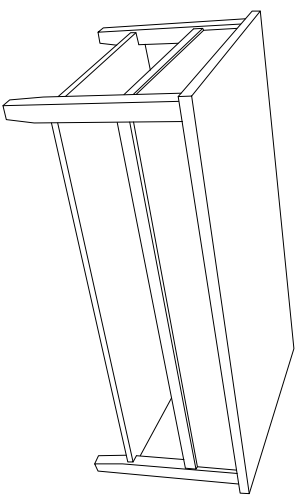
PART LIST:



HARDWARE LIST				
A		L-ALLEN KEY	5mm	1 PC
B		Bolt	Ø6/16"x2"	8 PCS
C		Spring Washer	Ø5/16"	12 PCS
D		Flat Washer	Ø5/16"xØ19mm	12 PCS
E		Bolt	Ø5/16"x3/4"	4 PCS
F		Connector	24"x19"x18m/m	4 PCS
G		Screw	Ø8*5/8"	4 PCS



COMPLETED



CAUTION!
 Do not allow children to play on the mechanized furniture or operate the mechanism. Top surfaces fold down on closing, so that a child could possibly be injured. Always leave furniture in the closed position when unattended. To prevent the table from tipping over, do not place more than 30 pounds on the top when in the open position.
KEEP HANDS CLEAR OF MECHANISM.