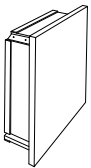


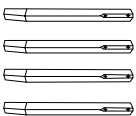
# ASSEMBLY INSTRUCTION

## 3447-04 END TABLE

PART LIST:



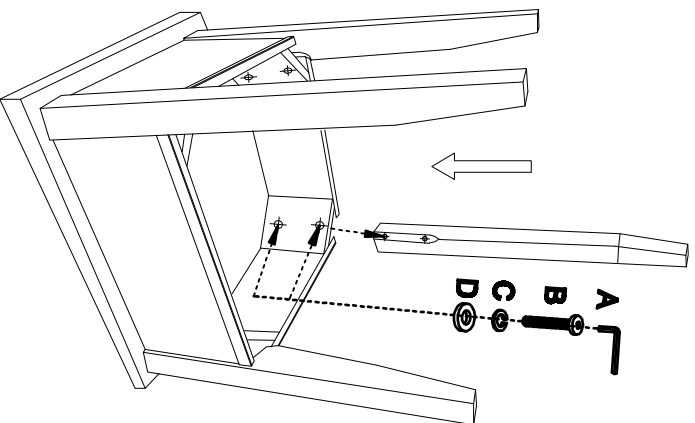
End table top  
1 pc



End Table leg  
4pcs

HARDWARE LIST				
A		L-ALLEN KEY	5mm	1 PC
B		Bolt	Ø5/16"x2"	8 PCS
C		Spring Washer	Ø5/16"	8 PCS
D		Flat Washer	Ø5/16"xØ19mm	8 PCS

STEP 1



COMPLETED

