



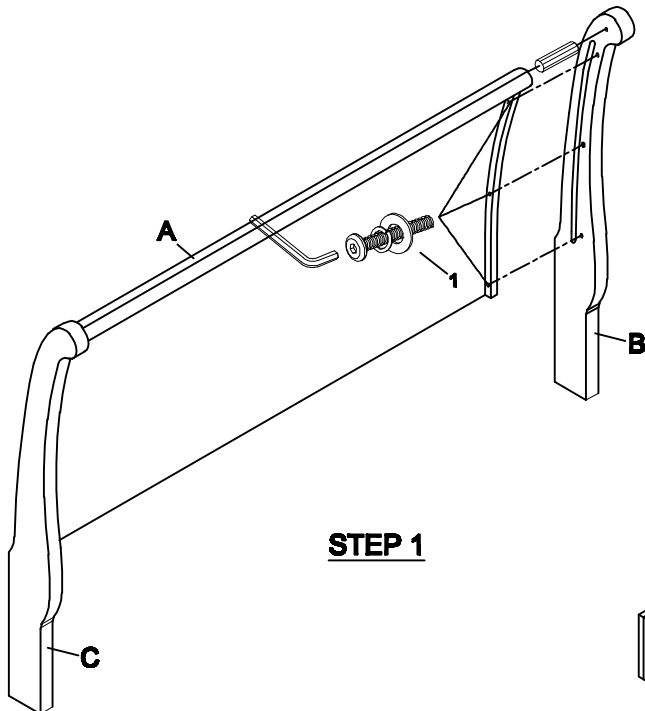
Assembly Instruction

QUEEN BED

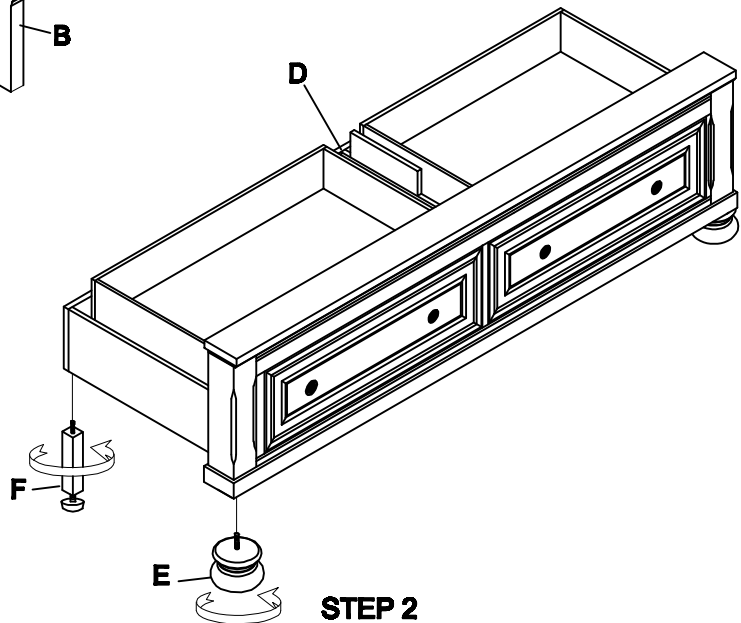
ITEM: #2159-1 QUEEN HEADBOARD
 #2159-2NF QUEEN FOOTBOARD
 2 DRAWERS & SLATS
 #2159-3 QUEEN BED RAILS

NO.	Hardware List		Q' TY
1		Ø5/16" *1-1/2"L Allen Bolt	6PCS
		Ø5/16" Spring washer	6PCS
		Ø5/16"*19mm Flat washer	6PCS
		Allen wrench (4mm)	1PC
2		Ø10mm*40mm Wooden dowel	2PCS
		Ø8*Ø4*1-1/4"L Wood Screw	14PCS

NO.	Parts list		Q' TY
A		Headboard	1PC
B		Left Headboard Leg	1PC
C		Right Headboard Leg	1PC
D		Footboard w / drawers	1PC
E		Bun foot	2PCS
F		Support leg of drawer	3PCS
G		Support legs for slats	5PCS
H		Slats	1PC
I		Rails	2PCS



STEP 1



STEP 2



For items use on wooden floor, hard surfaces or carpets, it is recommended to install protective pads under all legs and supports to avoid/prevent from damages/scratches and discoloration.

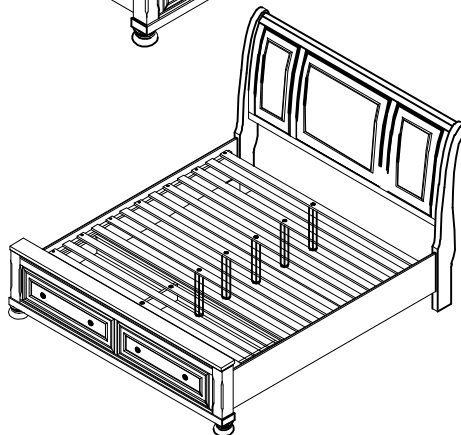
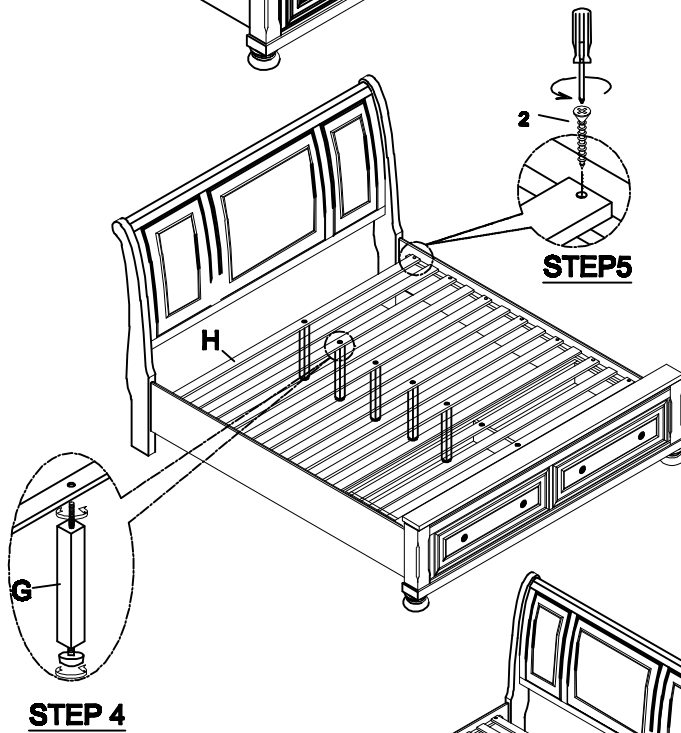
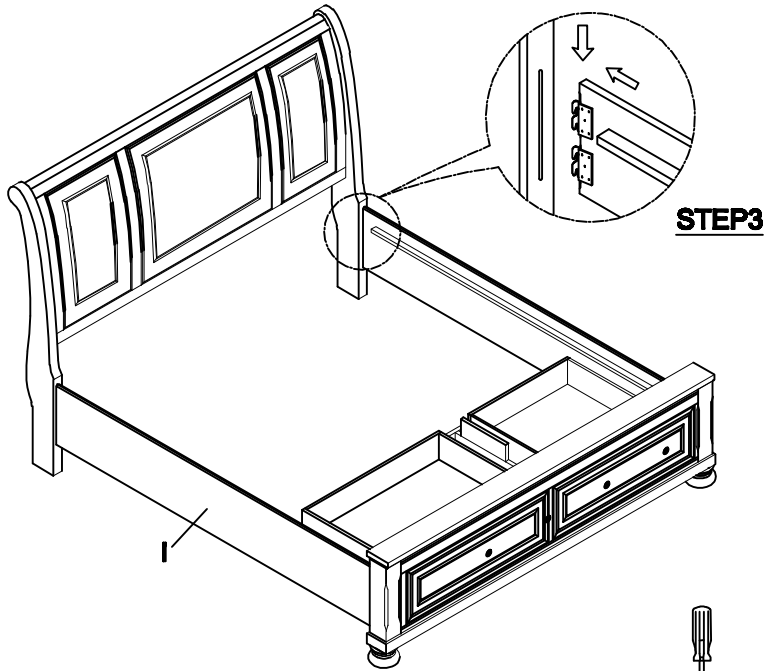
MADE IN VIETNAM



Assembly Instruction

QUEEN BED

- ITEM: #2159-1 QUEEN HEADBOARD
#2159-2NF QUEEN FOOTBOARD
2 DRAWERS & SLATS
#2159-3 QUEEN BED RAILS



Assembly completed

MADE IN VIETNAM