



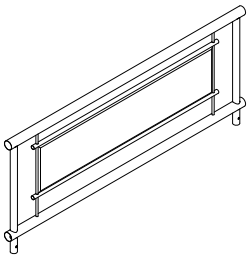
ASSEMBLY INSTRUCTION

HOMELEGANCE

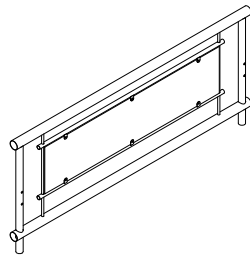
2049F-1

FULL BED, SILVER FRAME

PART LIST:



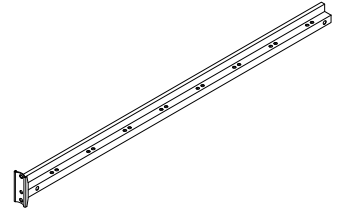
A:Headboard
x 1pc



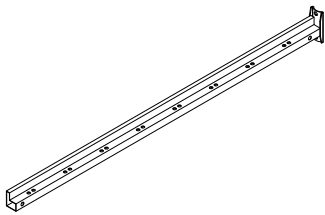
B:Footboard
x 1pc



C:Headboard support legs
x 2pcs



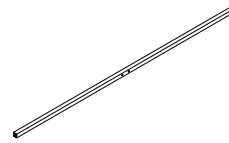
F:Rail Section (1)
x 2pcs



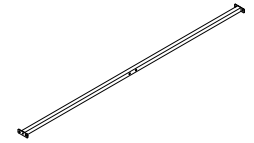
G:Rail Section (2)
x 2pcs



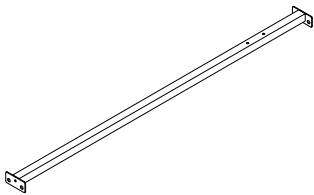
H:Rail Support Leg
x 2pcs



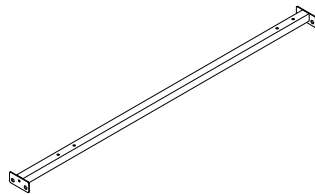
I:Front/Rear Support Bar
x 2pcs



J:Center support Bar
x 1pc



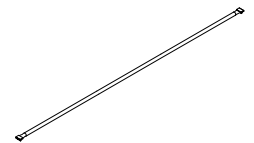
K:Front Center Rail
x 1pc



L:Rear Center Rail
x 1pc



M:Center Support Legs
x 3pcs



N: Slat with Connectors
x 16pcs

HARDWARE LIST:



1: Bolt 1/4*46mm
x8pcs



2: Bolt 1/4*36mm
x2pcs



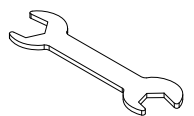
3: Bolt 1/4*16mm
x22pcs



4: Nut
x6pcs



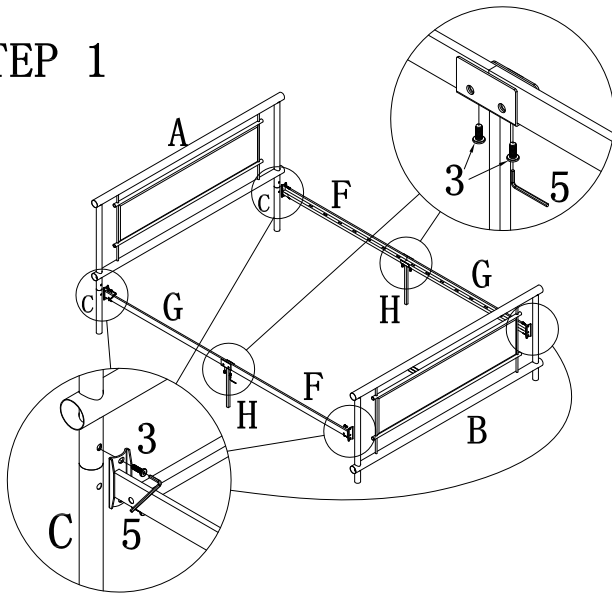
5: Allen Key
x1pc



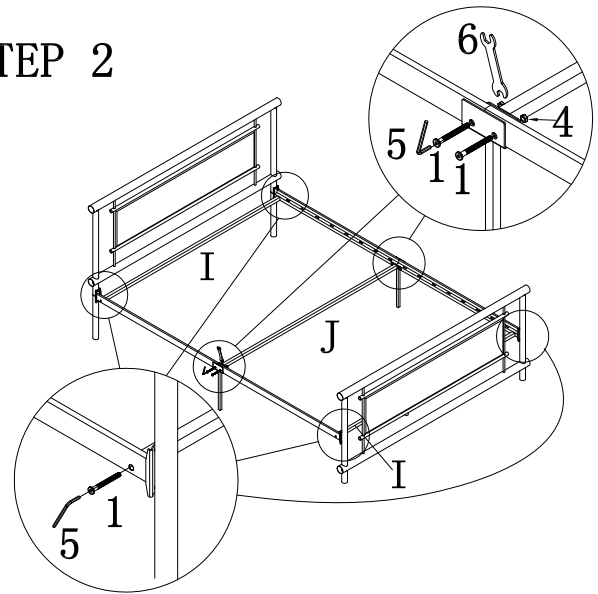
6: Wrench
x1pc

Note: Please do not tighten all bolts until the bed is assembled completely.

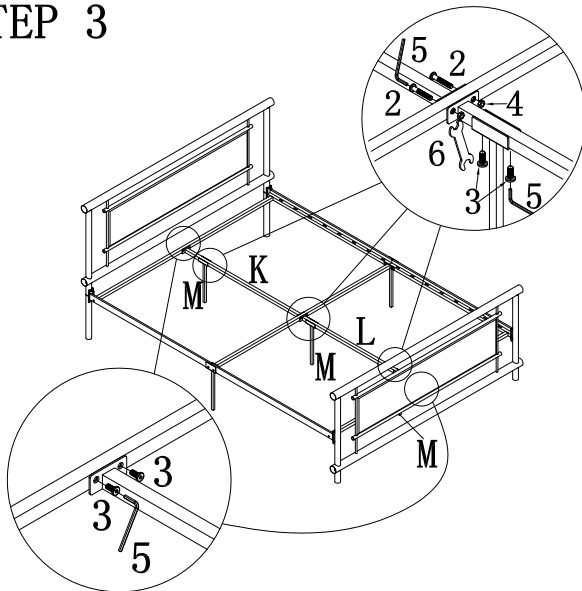
STEP 1



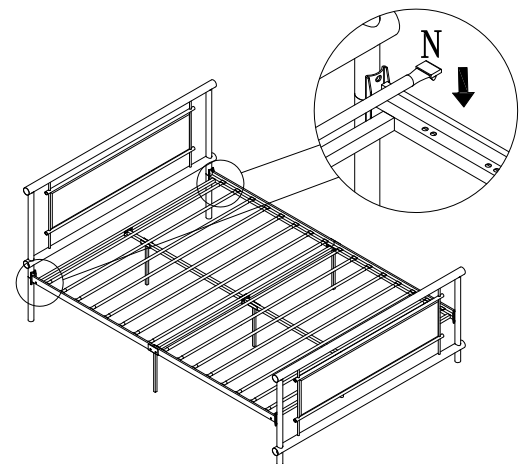
STEP 2



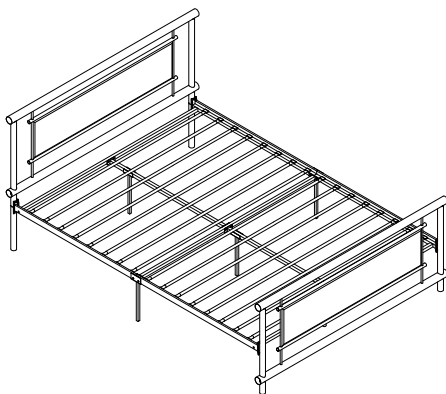
STEP 3



STEP 4



COMPLETED



For items use on wooden floor, hard surfaces or carpets, it is recommended to install protective pads under all legs and supports to avoid/prevent from damages/scratches and discoloration.