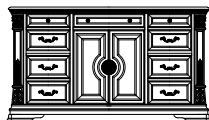


Item#1919NC-6: MIRROR

(A) Dresser



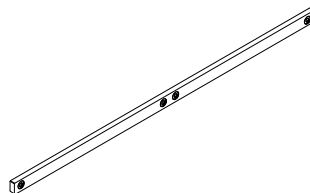
1pc

(B) Mirror



1pc

(C) Wooden mirror support



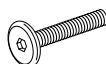
2pcs

(D) Bolt  
Φ1/4"x1-1/4"



4pcs

(E) Bolt  
Ø1/4"x 1-1/2"



4pcs

(F) Flat washer  
(Ø1/4"x19mm)



8pcs

(G) Spring washer  
(Ø1/4")

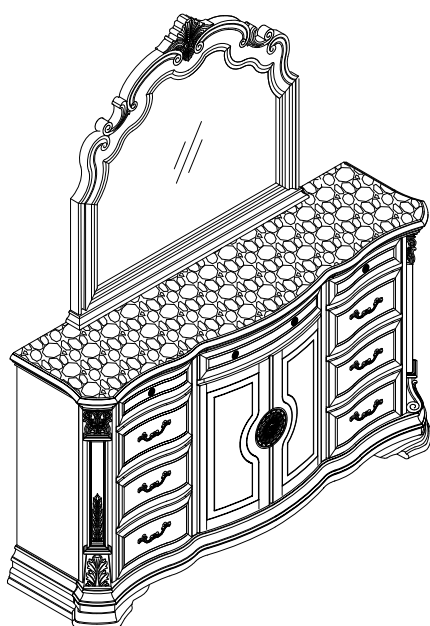


8pcs

(H) Allen key  
(4mm)



1pc



This page lists all the contents included in the box. Please take time to identify the hardware as well as the individual components to this product. As you unpack and prepare for assembly, place the contents on a carpeted or padded area to protect them from damage.

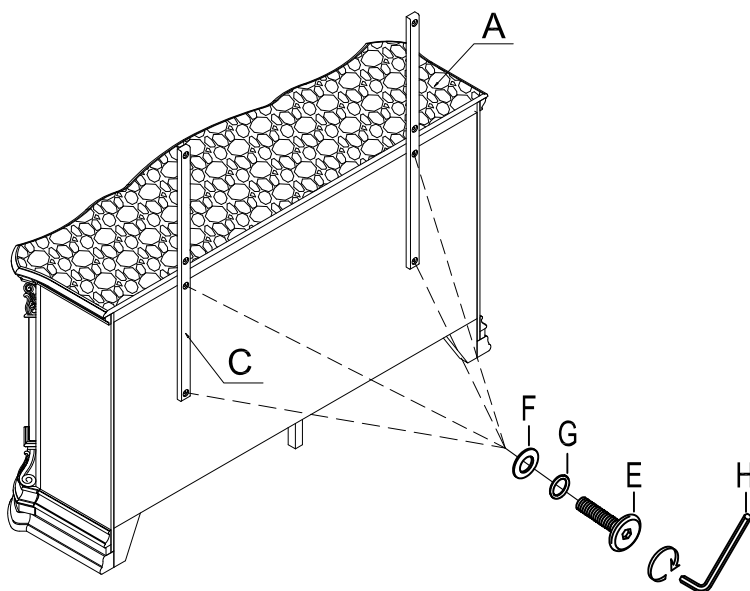
#### Cleaning & Care





Treat surface with care. Clean surfaces with a dry or damp soft cloth. Do not use abrasive cleaners. Hardware may loosen over time. Periodically check that all connections are tight.

Made in Vietnam

**1**

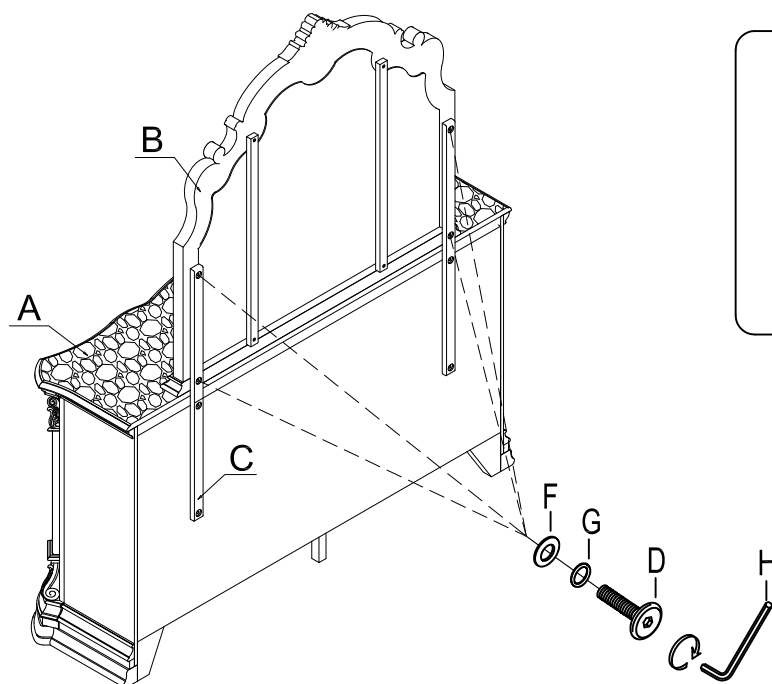
Assemble the wooden mirror support (C) to the dresser (A) with 4 pcs bolt (E), 4 pcs flat washer (F) and 4 pcs spring washer (G) tighten using allen key (H).







E		4 pcs
F		4 pcs
G		4 pcs
H		

**2**

Assemble the mirror (B) wooden mirror support (C) with 4 pcs bolt (D), 4 pcs flat washer (F) and 4 pcs spring washer (G) tighten using allen key (H)



D		4 pcs
F		4 pcs
G		4 pcs
H		

#### Cleaning & Care

Treat surface with care. Clean surfaces with a dry or damp soft cloth. Do not use abrasive cleaners. Hardware may loosen over time. Periodically check that all connections are tight.

Made in Vietnam