

Item#1919-4 : NIGHT STAND-MARBLE TOP

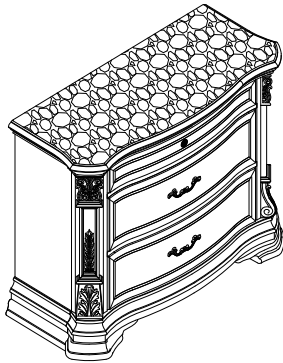
(A) Night stand



1pc

(B) Furniture Tipping Restraint

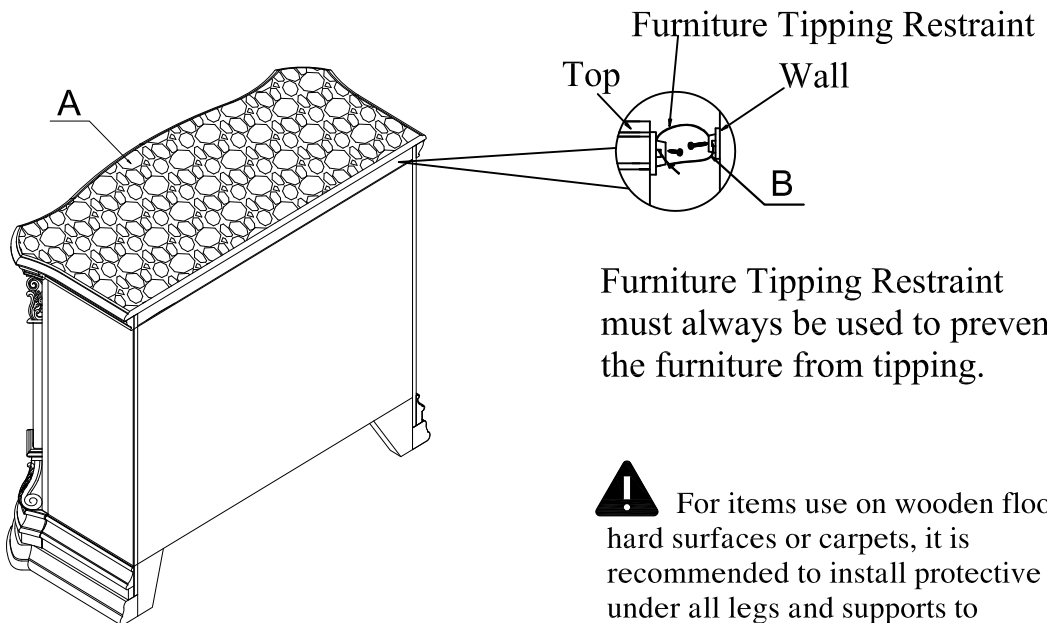
Strap	Anchor	Brackets	Screw (Ø8x1")	Screw (Ø8x5/8")
1pc	1pc	2pcs	1pc	1pc



This page lists all the contents included in the box. Please take time to identify the hardware as well as the individual components to this product. As you unpack and prepare for assembly, place the contents on a carpeted or padded area to protect them from damage.



1 Assemble the furniture Tipping Restraint (B) to the Night stand (A).



Furniture Tipping Restraint must always be used to prevent the furniture from tipping.

! For items use on wooden floor, hard surfaces or carpets, it is recommended to install protective pads under all legs and supports to avoid/prevent from damages/scratches and discoloration.

Cleaning & Care

Treat surface with care. Clean surfaces with a dry or damp soft cloth. Do not use abrasive cleaners. Hardware may loosen over time. Periodically check that all connections are tight.

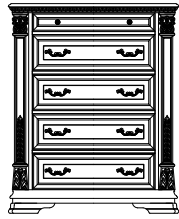
Made in Vietnam



ASSEMBLY INSTRUCTION

Item#1919-9 : CHEST -WOOD TOP

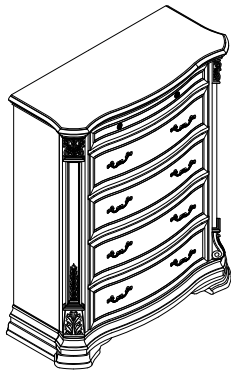
(A) Chest



1pc

(B) Furniture Tipping Restraint

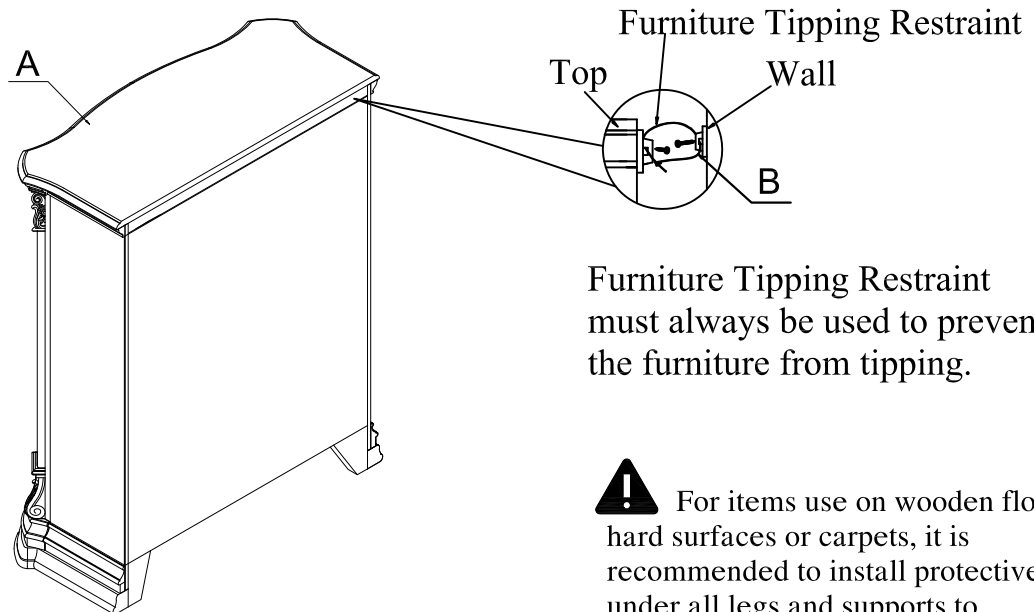
Strap	Anchor	Brackets	Screw (Ø8x1")	Screw (Ø8x5/8")
1pc	1pc	2pcs	1pc	1pc



This page lists all the contents included in the box. Please take time to identify the hardware as well as the individual components to this product. As you unpack and prepare for assembly, place the contents on a carpeted or padded area to protect them from damage.



Assemble the furniture Tipping Restraint (B) to the Chest (A).



Furniture Tipping Restraint must always be used to prevent the furniture from tipping.

! For items use on wooden floor, hard surfaces or carpets, it is recommended to install protective pads under all legs and supports to avoid/prevent from damages/scratches and discoloration.

Cleaning & Care

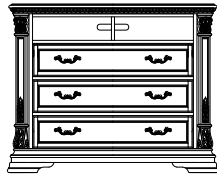
Treat surface with care. Clean surfaces with a dry or damp soft cloth. Do not use abrasive cleaners. Hardware may loosen over time. Periodically check that all connections are tight.

Made in Vietnam

ASSEMBLY INSTRUCTION

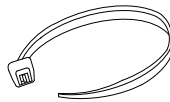
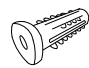



Item#1919-11 :TV CHEST -WOOD TOP

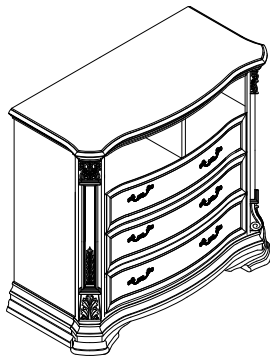
(A) TV chest



1pc

(B) Furniture Tipping Restraint

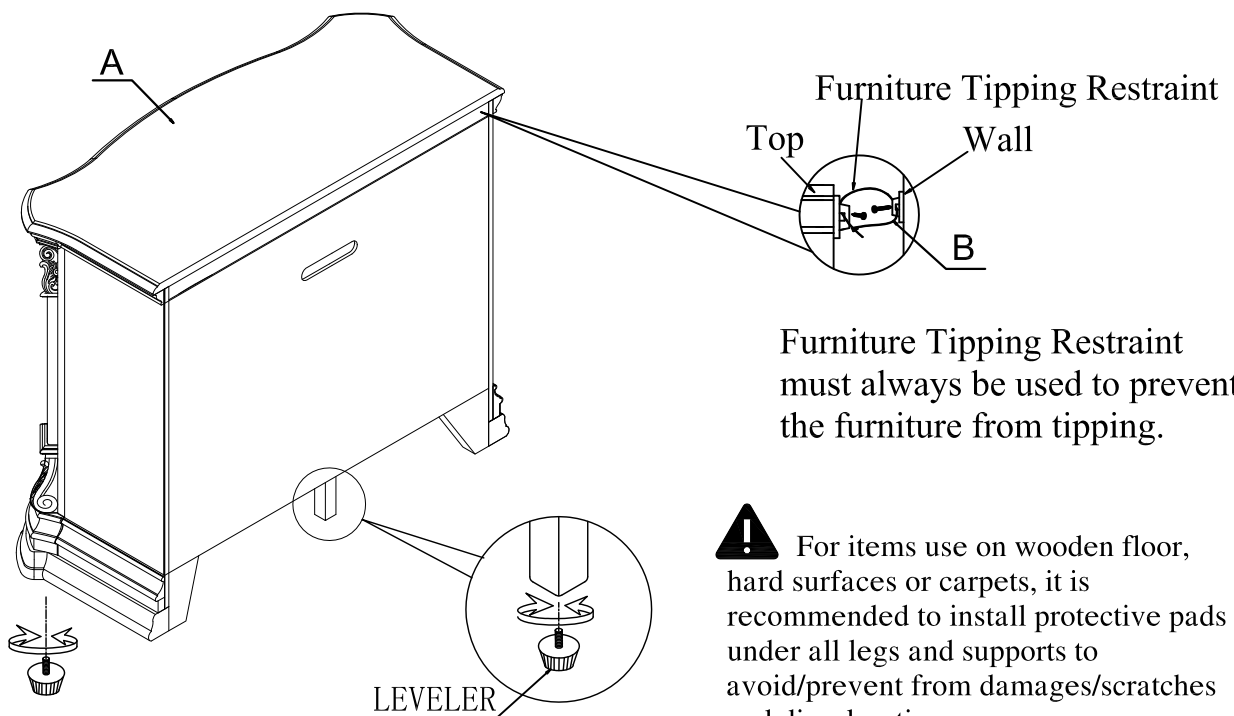
Strap	Anchor	Brackets	Screw (Ø8x1")	Screw (Ø8x5/8")
				
1pc	1pc	2pcs	1pc	1pc



This page lists all the contents included in the box. Please take time to identify the hardware as well as the individual components to this product. As you unpack and prepare for assembly, place the contents on a carpeted or padded area to protect them from damage.



1 Assemble the furniture Tipping Restraint (B) to the TV Chest (A).



Cleaning & Care

Treat surface with care. Clean surfaces with a dry or damp soft cloth. Do not use abrasive cleaners. Hardware may loosen over time. Periodically check that all connections are tight.

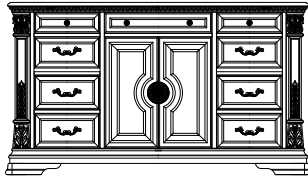
Made in Vietnam



ASSEMBLY INSTRUCTION

Item#1919-5: DRESSER -MARBLE TOP

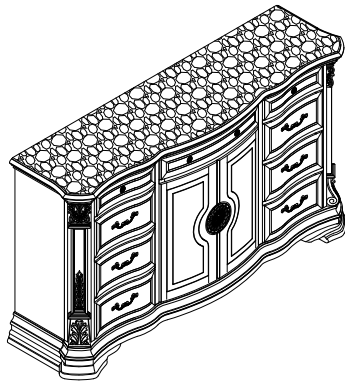
(A) Dresser



1pc

(B) Furniture Tipping Restraint

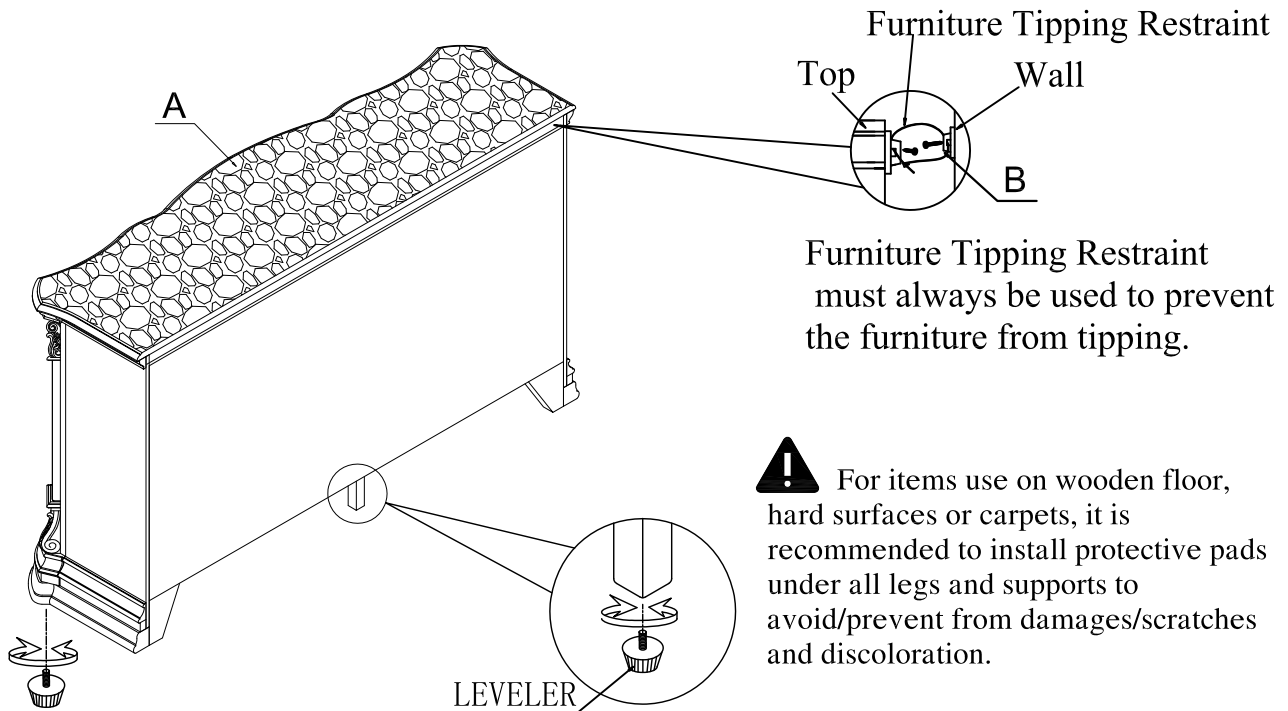
Strap	Anchor	Brackets	Screw (Ø8x1")	Screw (Ø8x5/8")
1pc	1pc	2pcs	1pc	1pc



This page lists all the contents included in the box. Please take time to identify the hardware as well as the individual components to this product. As you unpack and prepare for assembly, place the contents on a carpeted or padded area to protect them from damage.

1

Assemble the furniture Tipping Restraint (B) to the Dresser (A).



! For items use on wooden floor, hard surfaces or carpets, it is recommended to install protective pads under all legs and supports to avoid/prevent from damages/scratches and discoloration.

Cleaning & Care

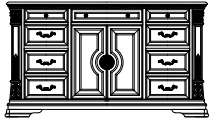
Treat surface with care. Clean surfaces with a dry or damp soft cloth. Do not use abrasive cleaners. Hardware may loosen over time. Periodically check that all connections are tight.

Made in Vietnam

ASSEMBLY INSTRUCTION

Item#1919-6: MIRROR

(A) Dresser



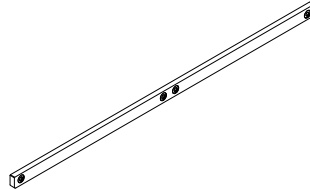
1pc

(B) Mirror



1pc

(C) Wooden mirror supports



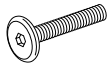
2pcs

(D) Bolt
Φ1/4"x1"



4pcs

(E) Bolt
Ø1/4"x 1-1/2"



4pcs

(F) Flat washer
(Ø1/4"x19mm)



8pcs

(G) Spring washer
(Ø1/4")

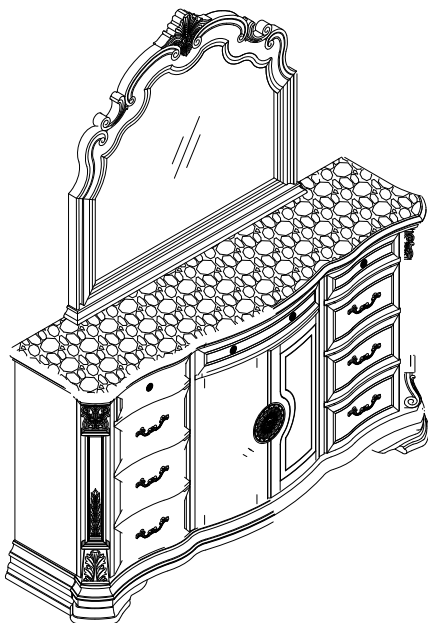


8pcs

(H) Allen key
(4mm)



1pc



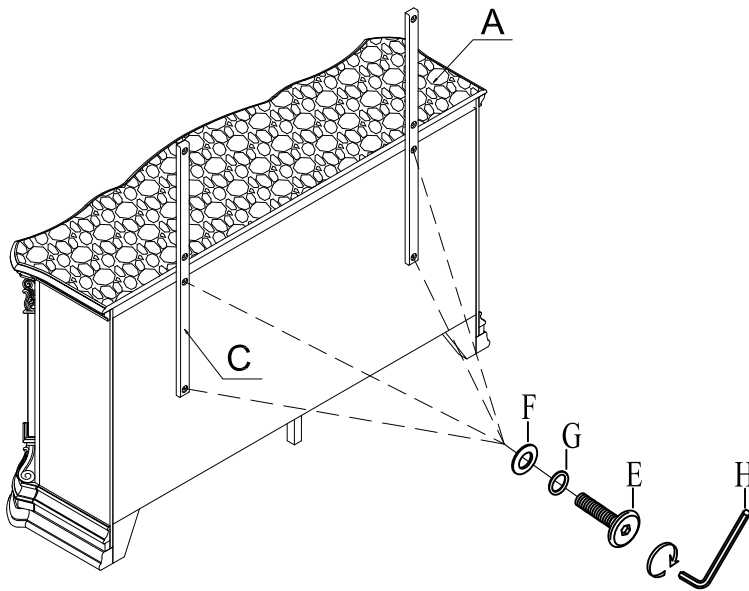
This page lists all the contents included in the box. Please take time to identify the hardware as well as the individual components to this product. As you unpack and prepare for assembly, place the contents on a carpeted or padded area to protect them from damage.





Cleaning & Care

Treat surface with care. Clean surfaces with a dry or damp soft cloth. Do not use abrasive cleaners. Hardware may loosen over time. Periodically check that all connections are tight.

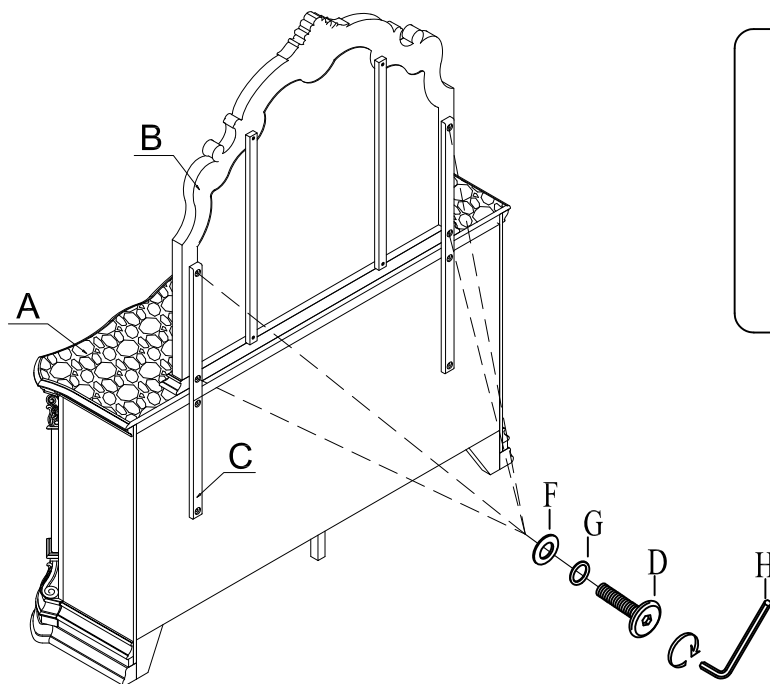
Made in Vietnam





1 Assemble the wooden mirror supports (C) to the dresser (A) with 4 pcs bolt (E), 4 pcs flat washer (F) and 4 pcs spring washer (G) tighten using allen key (H).



E		4 pcs
F		4 pcs
G		4 pcs
H		

2 Assemble the mirror (B) wooden mirror support (C) with 4 pcs bolt (D), 4 pcs flat washer (F) and 4 pcs spring washer (G) tighten using allen key (H)



D		4 pcs
F		4 pcs
G		4 pcs
H		

Cleaning & Care

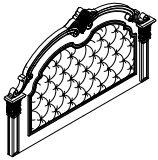
Treat surface with care. Clean surfaces with a dry or damp soft cloth. Do not use abrasive cleaners. Hardware may loosen over time. Periodically check that all connections are tight.

Made in Vietnam

ASSEMBLY INSTRUCTION

Item#1919K-1/1919K-2/1919-3: E-King bed

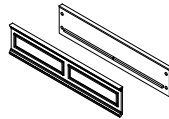
- (A) Headboard (B) Footboard (C) Side rail (D) Slats (E) Post - Leg



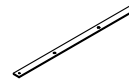
1pc



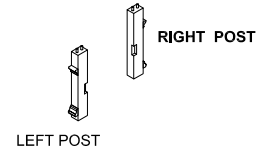
1pc



2pcs



4pcs

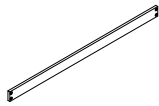


2pcs

- (F) Support (G) Cross bar (H) Support legs (I) Bolt $\Phi 5/16"$ x1-1/2" (J) Bolt $\Phi 5/16"$ x1-3/4" (K) Threaded Bolt ($\Phi 5/16"$ X3-1/2") (L) Flat washer ($\Phi 5/16"$ x $\Phi 19$ mm)



2pcs



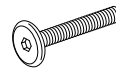
1pc



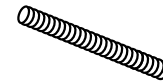
8pcs



4pcs



8pcs



8pcs



12pcs

- (M) Spring washer ($\Phi 5/16"$) (N) Half Round Washer ($\Phi 5/16"$) (O) Hex Nut ($\Phi 5/16"$) (P) Allen key (5mm) (Q) Wrench (12mm) (R) Screw $\Phi 8$ x 1-1/4 (S) Screwdriver (NOT INCLUDED)



12pcs



8pcs



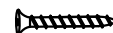
8pcs



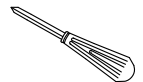
1pc



1pc

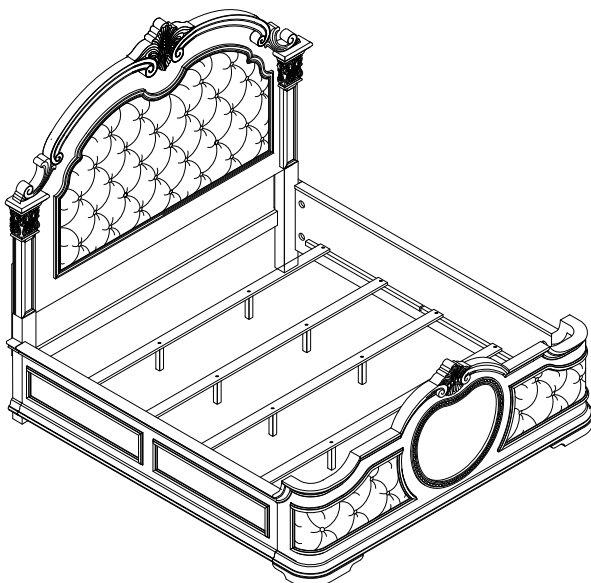


8pcs



1pc

Note: Hardware pack is in 1919K-1



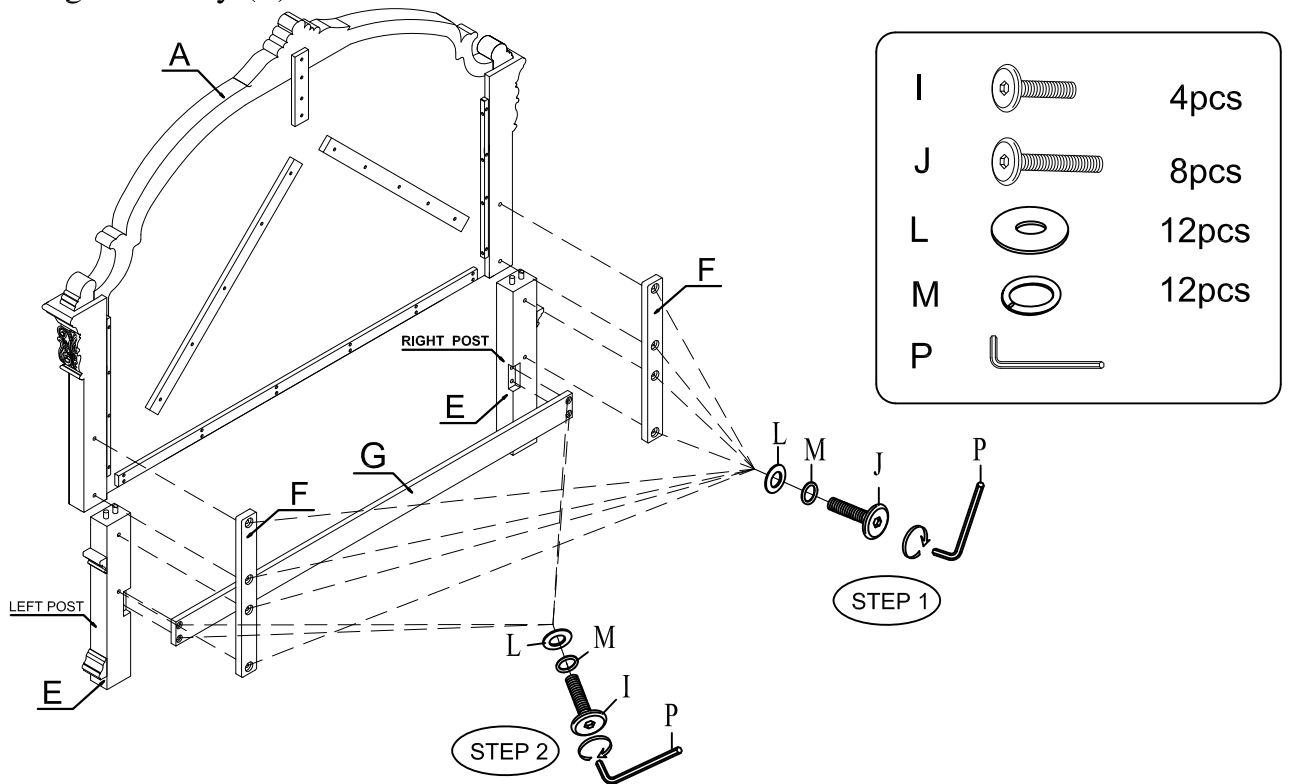
This page lists all the contents included in the box. Please take time to identify the hardware as well as the individual components to this product. As you unpack and prepare for assembly, place the contents on a carpeted or padded area to protect them from damage.

! For items use on wooden floor, hard surfaces or carpets, it is recommended to install protective pads under all legs and supports to avoid/prevent from damages/scratches and discoloration.

Made in Vietnam

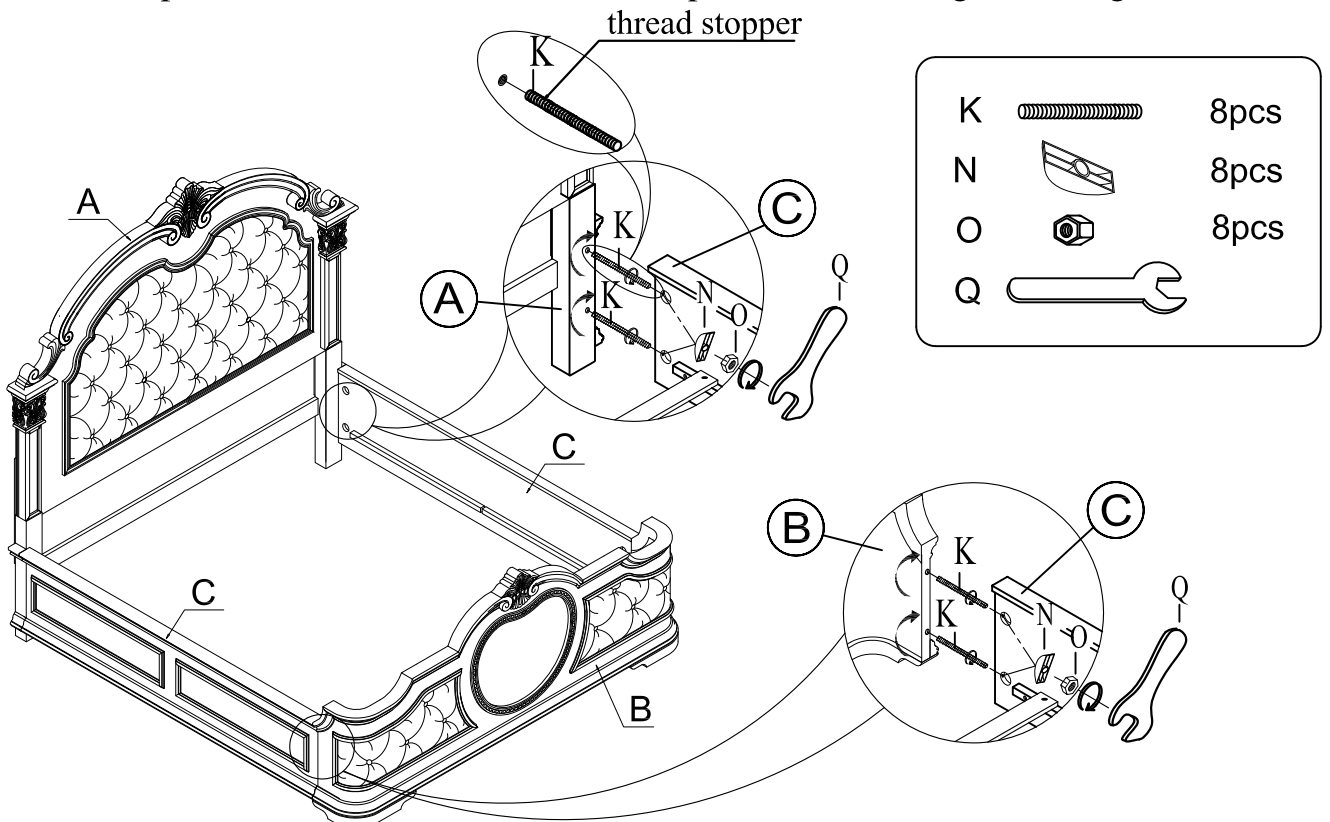
1

Attach the post leg (E), support (F) and cross bar (G) to the headboard (A) with 8 pcs bolt (J) and 4 pcs bolt (I), 12 pcs flat washer (L), 12 pcs spring washer (M) tighten using allen key (P).



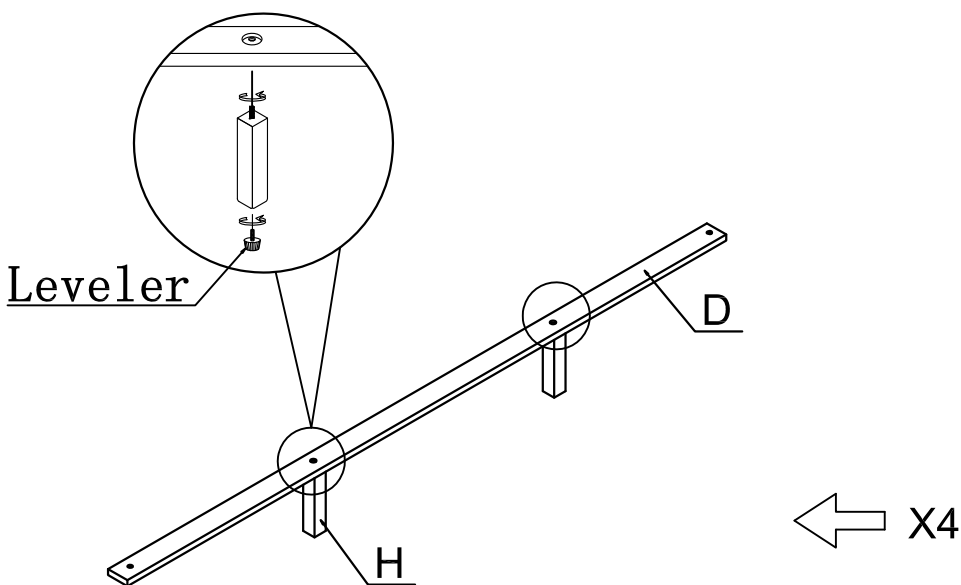
2

Attach the rails (C) to the headboard (A) and footboard (B) with 8 pcs threaded bolt (K), 8 pcs Half Round Washer (N) and 8 pcs hex nut (O) tighten using wrench (Q).

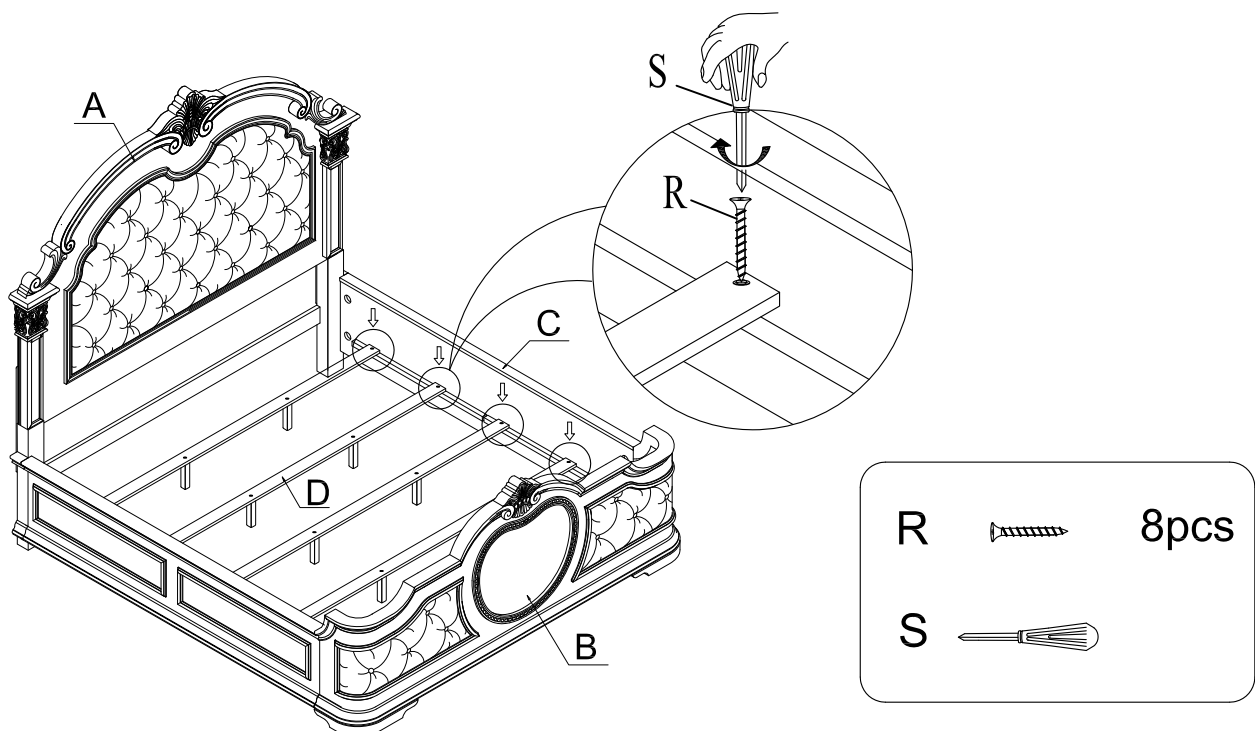


Made in Vietnam

3 Attach the Wooden Support legs (H) by inserting them into the holes in the Slats (D). You may adjust the floor leveler on the bottom as needed.



4 Attach the Slats (D) to the Bed Rails using the Screw (R) provided as shown.



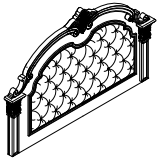
Cleaning & Care
Treat surface with care. Clean surfaces with a dry or damp soft cloth. Do not use abrasive cleaners. Hardware may loosen over time. Periodically check that all connections are tight.

Made in Vietnam

ASSEMBLY INSTRUCTION

Item#1919K-1/1919K-2/1919K-3CK: Cal-King bed

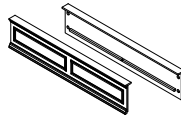
- (A) Headboard
(B) Footboard
(C) Side rail
(D) Slats
(E) Post - Leg



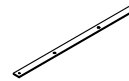
1pc



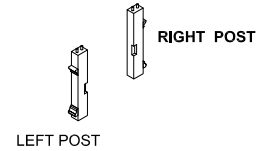
1pc



2pcs



4pcs

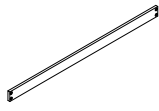


2pcs

- (F) Support
(G) Cross bar
(H) Support legs
(I) Bolt $\Phi 5/16"$ x1-1/2"
(J) Bolt $\Phi 5/16"$ x1-3/4"
(K) Threaded Bolt ($\Phi 5/16"$ X3-1/2")
(L) Flat washer ($\Phi 5/16"$ x $\Phi 19$ mm)



2pcs



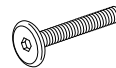
1pc



8pcs



4pcs



8pcs



8pcs



12pcs

- (M) Spring washer ($\Phi 5/16"$)
(N) Half Round Washer ($\Phi 5/16"$)
(O) Hex Nut ($\Phi 5/16"$)
(P) Allen key (5mm)
(Q) Wrench (12mm)
(R) Screw $\Phi 8$ x 1-1/4"
(S) Screwdriver (NOT INCLUDED)



12pcs



8pcs



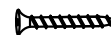
8pcs



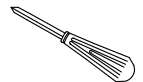
1pc



1pc

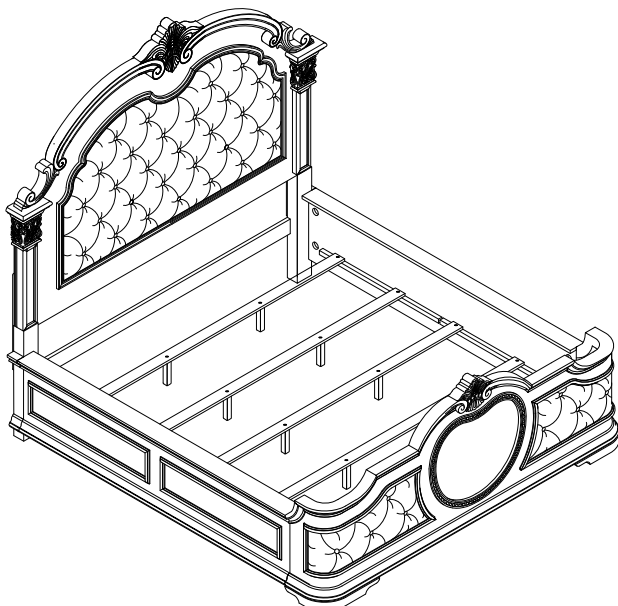


8pcs



1pc

Note: Hardware pack is in 1919K-1



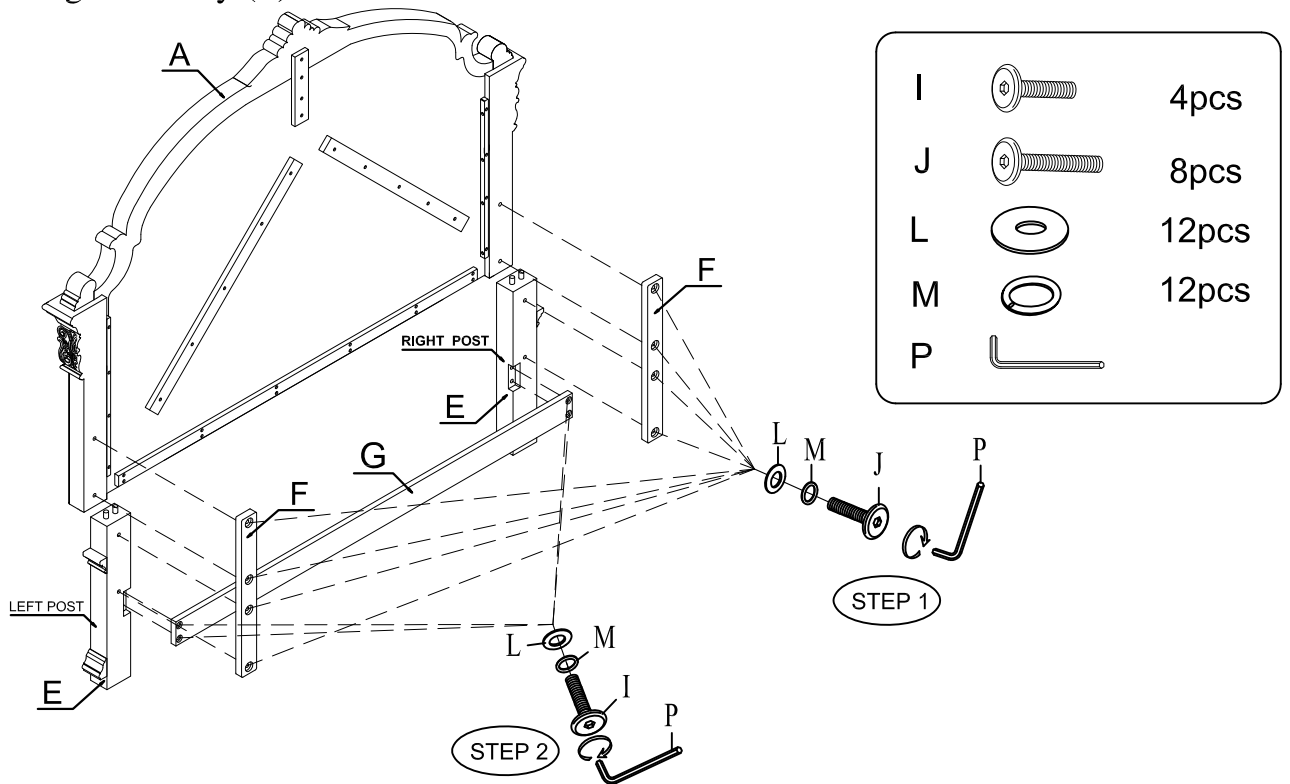
This page lists all the contents included in the box. Please take time to identify the hardware as well as the individual components to this product. As you unpack and prepare for assembly, place the contents on a carpeted or padded area to protect them from damage.

! For items use on wooden floor, hard surfaces or carpets, it is recommended to install protective pads under all legs and supports to avoid/prevent from damages/scratches and discoloration.

Made in Vietnam

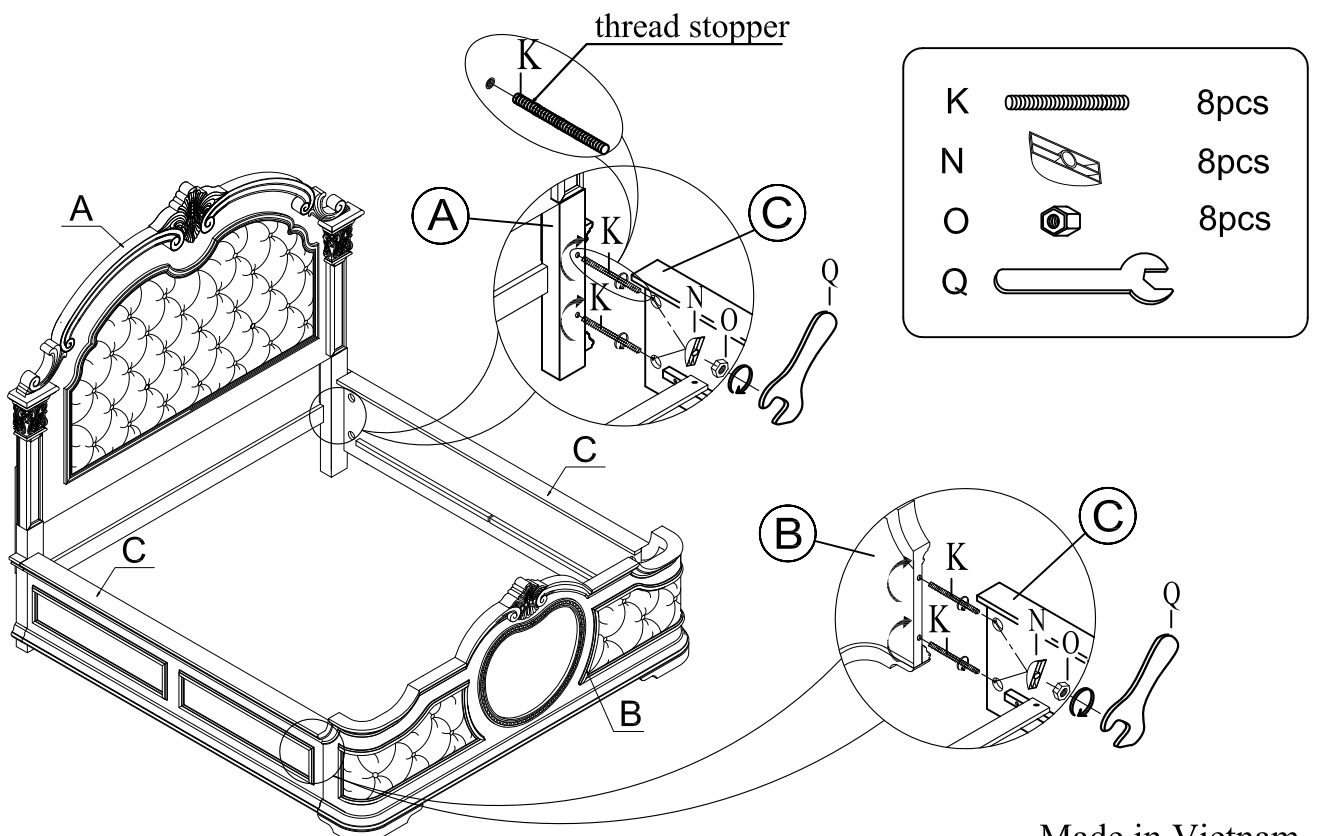
1

Attach the post leg (E), support (F) and cross bar (G) to the headboard (A) with 8 pcs bolt (J) and 4 pcs bolt (I), 12 pcs flat washer (L), 12 pcs spring washer (M) tighten using allen key (P).



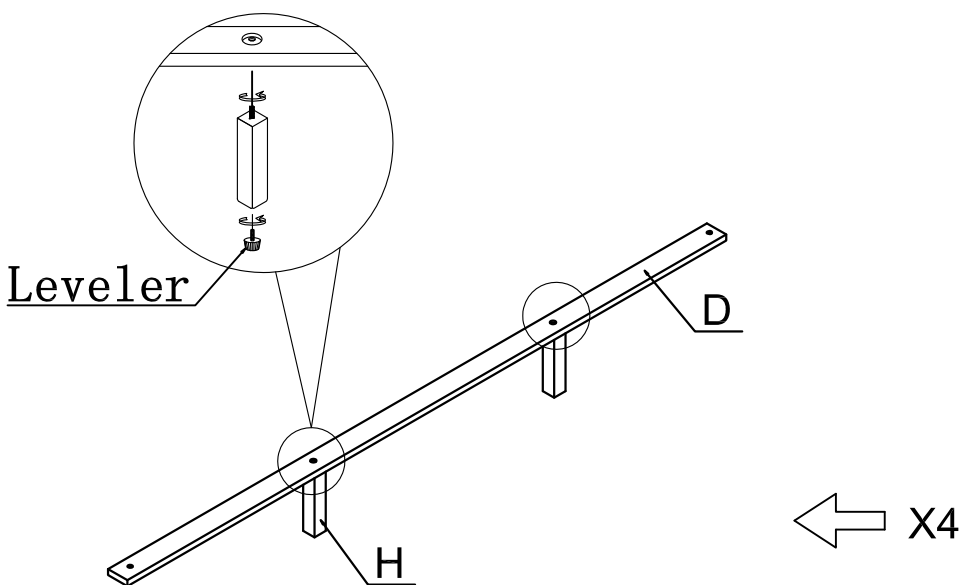
2

Attach the rails (C) to the headboard (A) and footboard (B) with 8 pcs threaded bolt (K), 8 pcs Half Round Washer (N) and 8 pcs hex nut (O) tighten using wrench (Q).

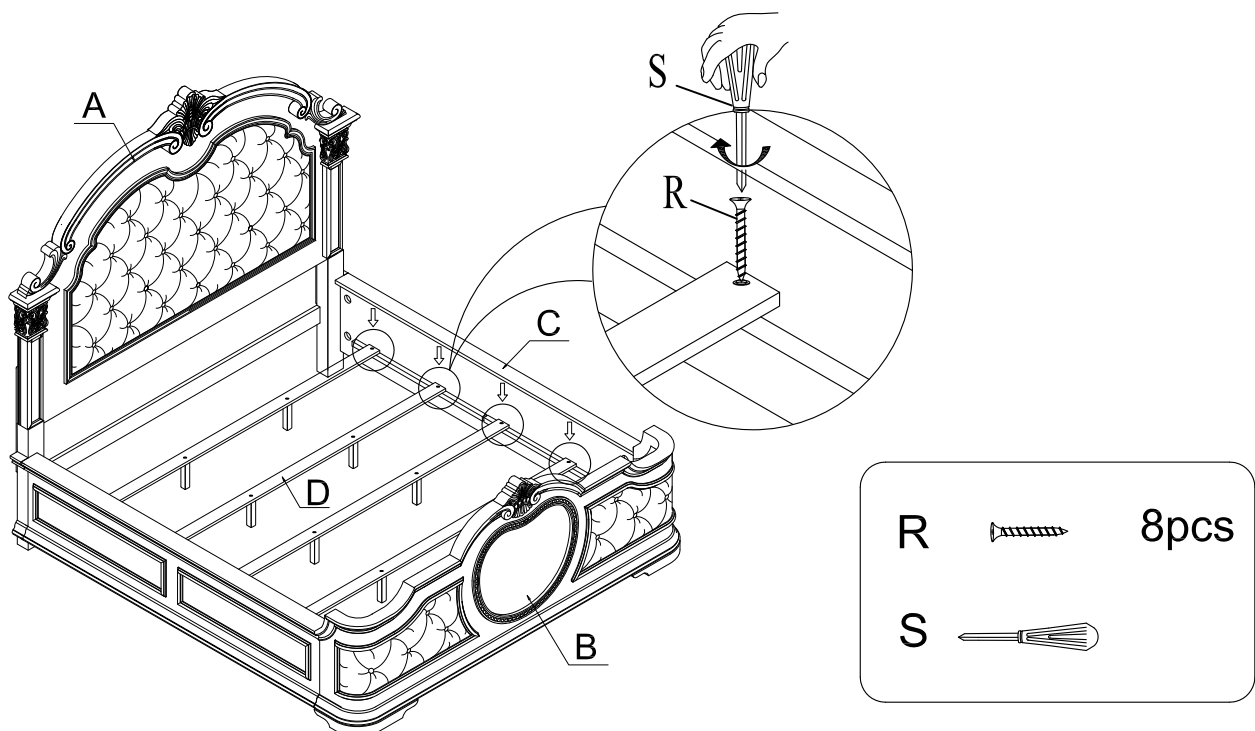


Made in Vietnam

3 Attach the Wooden Support legs (H) by inserting them into the holes in the Slats (D). You may adjust the floor leveler on the bottom as needed.



4 Attach the Slats (D) to the Bed Rails using the Screw (R) provided as shown.



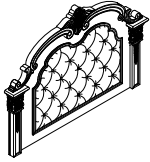
Cleaning & Care
Treat surface with care. Clean surfaces with a dry or damp soft cloth. Do not use abrasive cleaners. Hardware may loosen over time. Periodically check that all connections are tight.

Made in Vietnam

ASSEMBLY INSTRUCTION

Item#1919-1/1919-2/1919-3: Queen bed

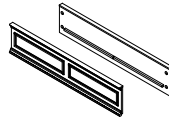
- (A) Headboard
(B) Footboard
(C) Side rail
(D) Slats
(E) Post - Leg



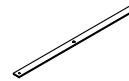
1pc



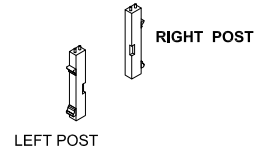
1pc



2pcs

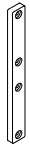


3pcs

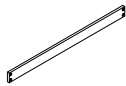


2pcs

- (F) Support
(G) Cross bar
(H) Support legs
(I) Bolt $\Phi 5/16"$ x1-1/2"
(J) Bolt $\Phi 5/16"$ x1-3/4"
(K) Threaded Bolt ($\Phi 5/16"$ X3-1/2")
(L) Flat washer ($\Phi 5/16"$ x $\Phi 19$ mm)



2pcs



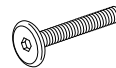
1pc



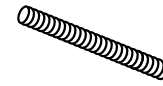
3pcs



4pcs



8pcs



8pcs



12pcs

- (M) Spring washer ($\Phi 5/16"$)
(N) Half Round Washer ($\Phi 5/16"$)
(O) Hex Nut ($\Phi 5/16"$)
(P) Allen key (5mm)
(Q) Wrench (12mm)
(R) Screw $\Phi 8$ x 1-1/4"
(S) Screwdriver (NOT INCLUDED)



12pcs



8pcs



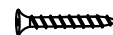
8pcs



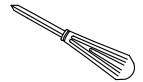
1pc



1pc

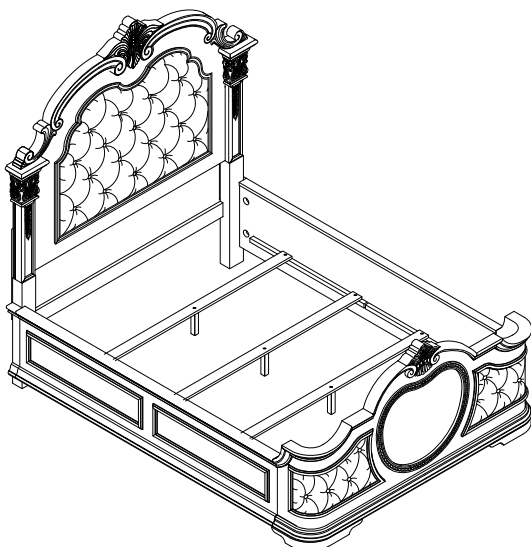


8pcs



1pc

Note: Hardware pack is in 1919-1



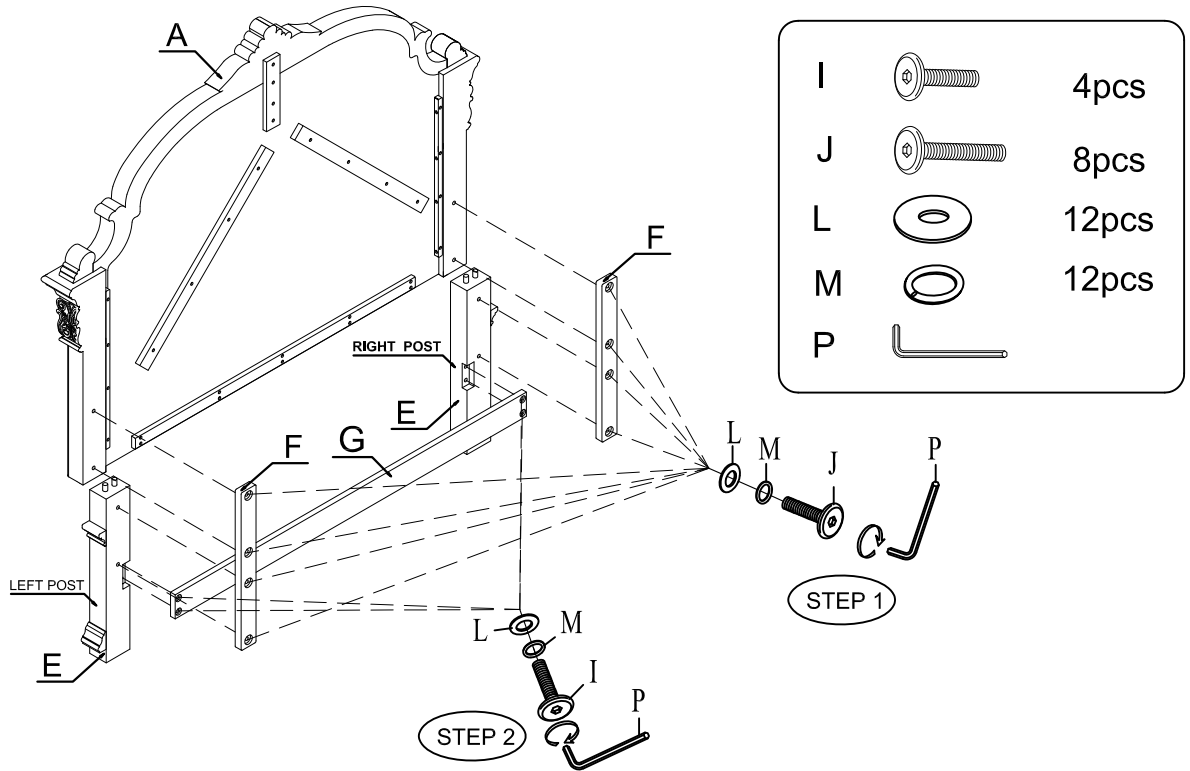
This page lists all the contents included in the box. Please take time to identify the hardware as well as the individual components to this product. As you unpack and prepare for assembly, place the contents on a carpeted or padded area to protect them from damage.

! For items use on wooden floor, hard surfaces or carpets, it is recommended to install protective pads under all legs and supports to avoid/prevent from damages/scratches and discoloration.

Made in Vietnam

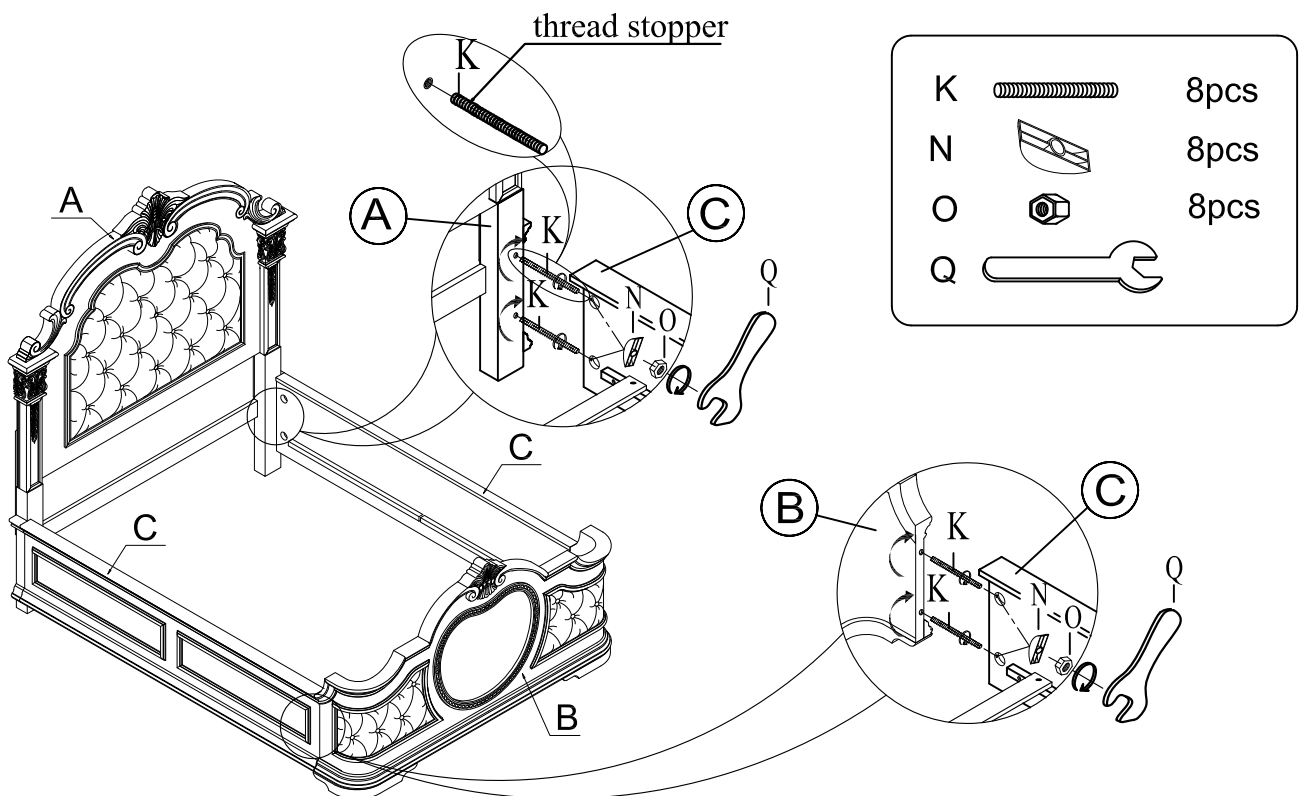
1

Attach the post leg (E), support (F) and cross bar (G) to the headboard (A) with 8 pcs bolt (J) and 4 pcs bolt (I), 12 pcs flat washer (L), 12 pcs spring washer (M) tighten using allen key (P).



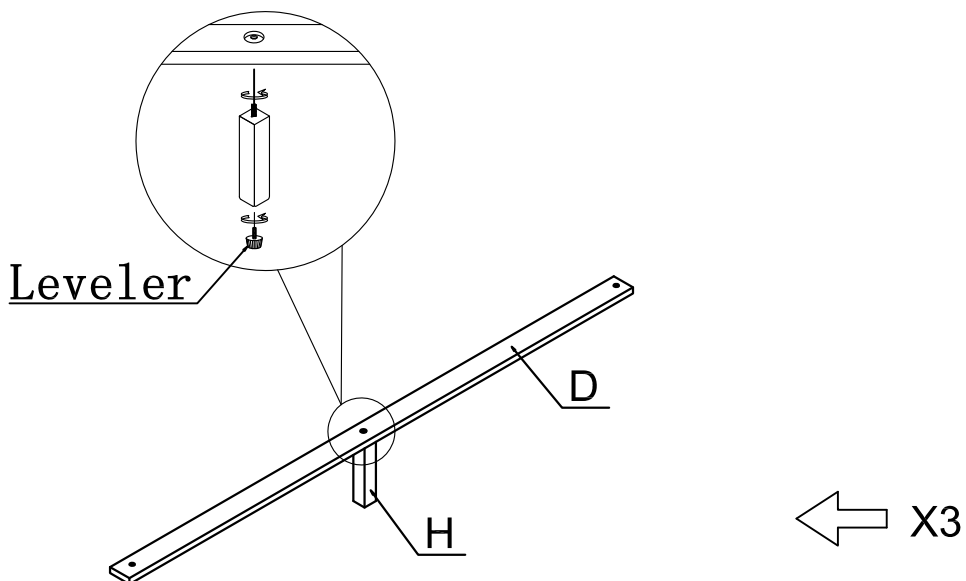
2

Attach the rails (C) to the headboard (A) and footboard (B) with 8 pcs threaded bolt (K), 8 pcs Half Round Washer (N) and 8 pcs hex nut (O) tighten using wrench (Q).

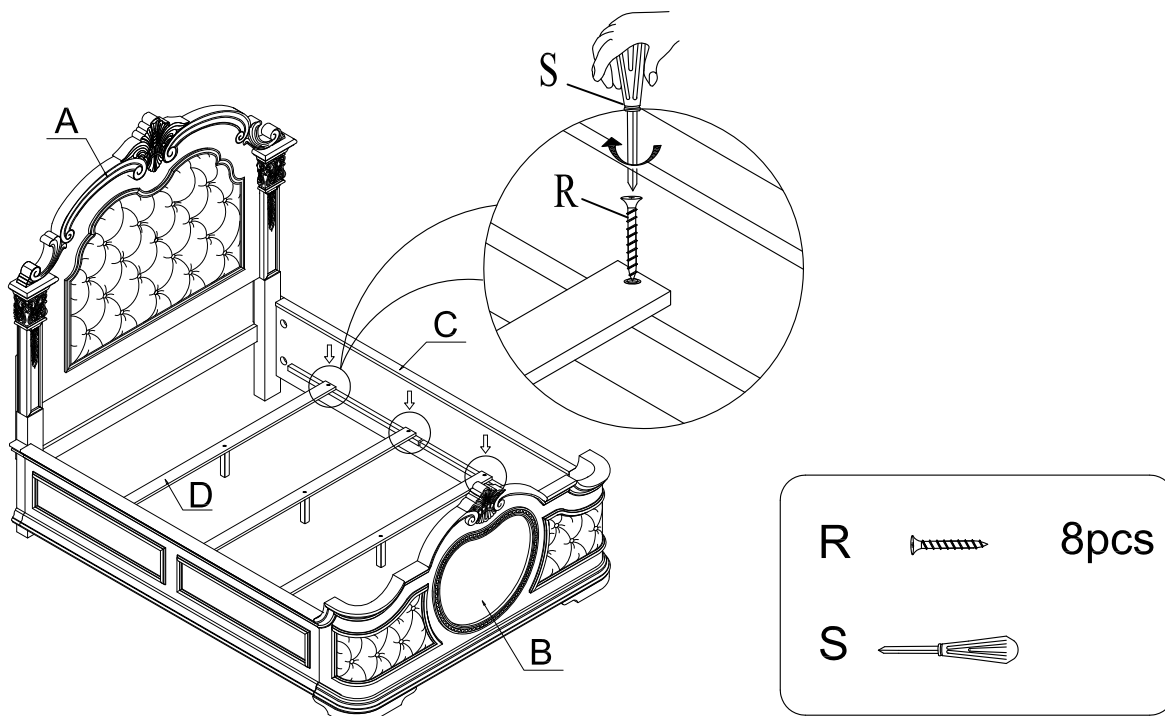


Made in Vietnam

- 3** Attach the Wooden Support legs (H) by inserting them into the holes in the Slats (D). You may adjust the floor leveler on the bottom as needed.



- 4** Attach the Slats (D) to the Bed Rails using the Screw (R) provided as shown.



Cleaning & Care

Treat surface with care. Clean surfaces with a dry or damp soft cloth. Do not use abrasive cleaners. Hardware may loosen over time. Periodically check that all connections are tight.

Made in Vietnam