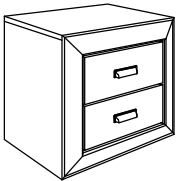
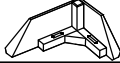
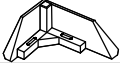
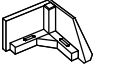
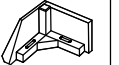






ASSEMBLY INSTRUCTION / INSTRUCTIONS DE MONTAGE

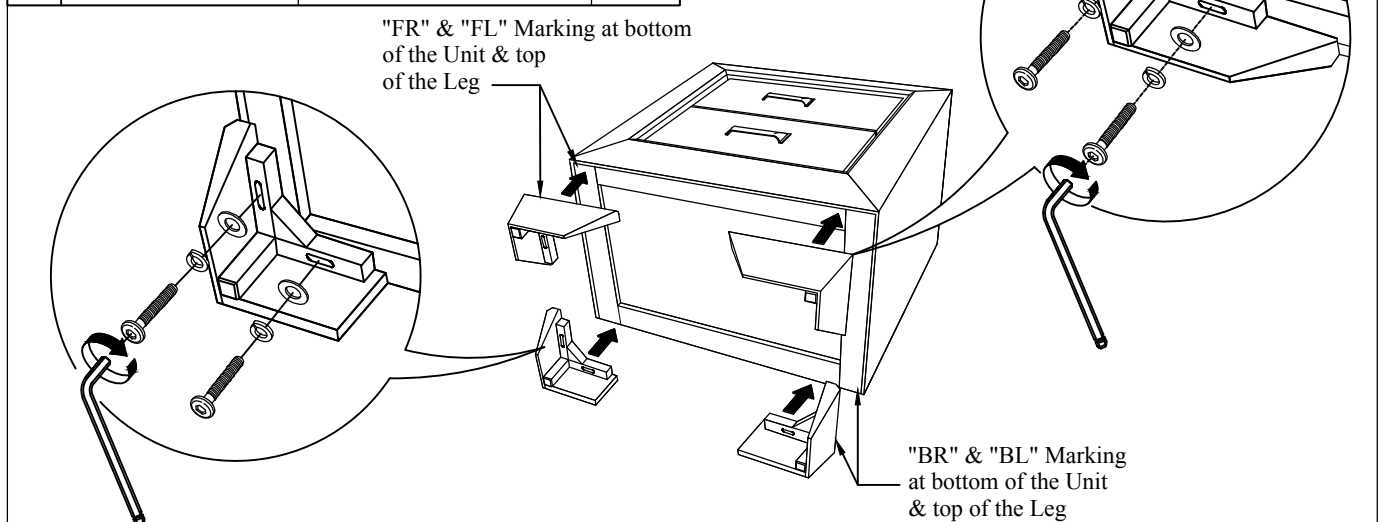
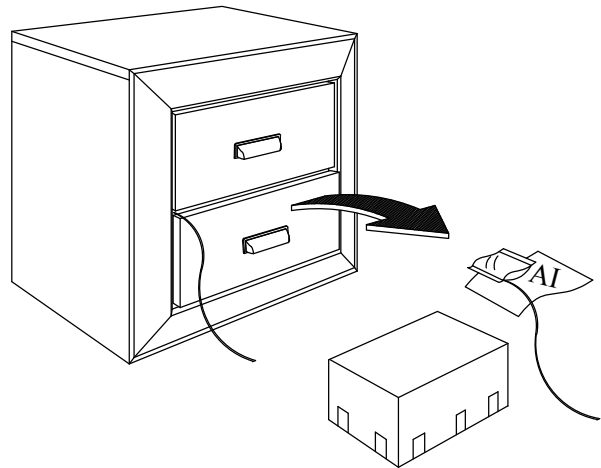
Thanks you for purchasing this product. Please take time to read and follow the instructions below. Check that you have all parts and hardware before assembly. Parts apparently missing are often found in the packing materials. If you do not have the parts listed, call us and they will be sent to you immediately.

Merci d'avoir acheté ce produit . Veuillez lire et suivre les instructions ci-dessous. Vérifiez avant le montage que vous avez toutes les pièces et fixations. Les pièces qui semblent manquer se trouvent dans les matériaux d'emballage. Si vous n'avez pas toutes les pièces de la liste, appelez-nous et nous vous les enverrons immédiatement.

NO	PARTS LIST / LISTE DE PIÈCES		
A	Night Stand Table De Nuit		1
B	Front Right Feet Pieds Avant Droite		1
C	Front Left Feet Pieds Avant Gauche		1
D	Rear Right Feet Pieds Arrière Droite		1
E	Rear Left Feet Pieds Arrière Gauche		1
NO	HARDWARE LIST / LISTE DE QUINCAILLERIE		
F	Bolt / Boulon 35mm		8
G	SpringWasher / Rondelle de ressort		8
H	Washer / Rondelle Plate Ø4" x 20mm		8
I	Allen Key / Clé Allen M4		1

STEP 1 / ETAPE 1

Take out Assembly Instruction sheet, Hardware Pack and Feet Packaging from the Drawer which marked with the rope.



STEP 2 / ETAPE 2

Align & tighten feet (B),(C),(D) and (E) to Unit according to the position left and right.
follow the label correctly using bolt (F), lock washer (G) and flat washer (H) and fully tighten with Allen Key (I).



For items use on wooden floor, hard surfaces or carpets, it is recommended to Install protective pads under all legs and supports to avoid/prevent from damages/scratches and discoloration.