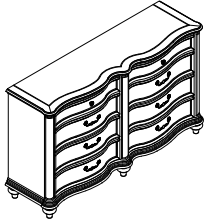


ASSEMBLY INSTRUCTION

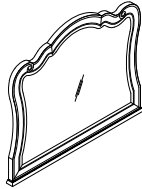
Item#1682-6: MIRROR

(A) Dresser



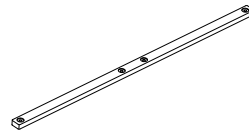
1pc

(B) Mirror



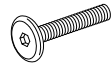
1pc

(C) Wooden mirror supports



2pcs

(D) Bolt
Φ1/4"x1-1/4"



8pcs

(E) Flat washer
(Ø1/4"x19mm)



8pcs

(F) Spring washer
(Ø1/4")

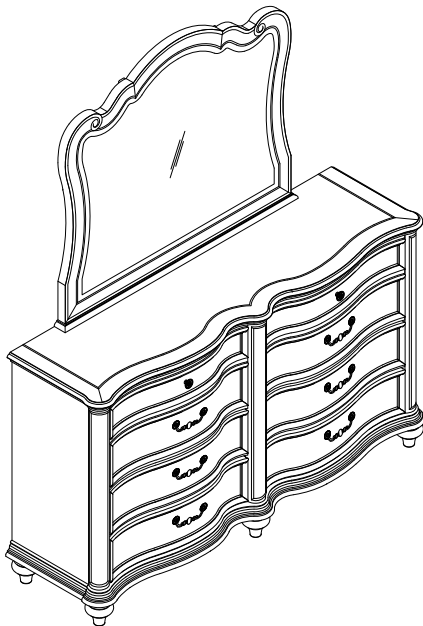


8pcs

(G) Allen key
(4mm)



1pc



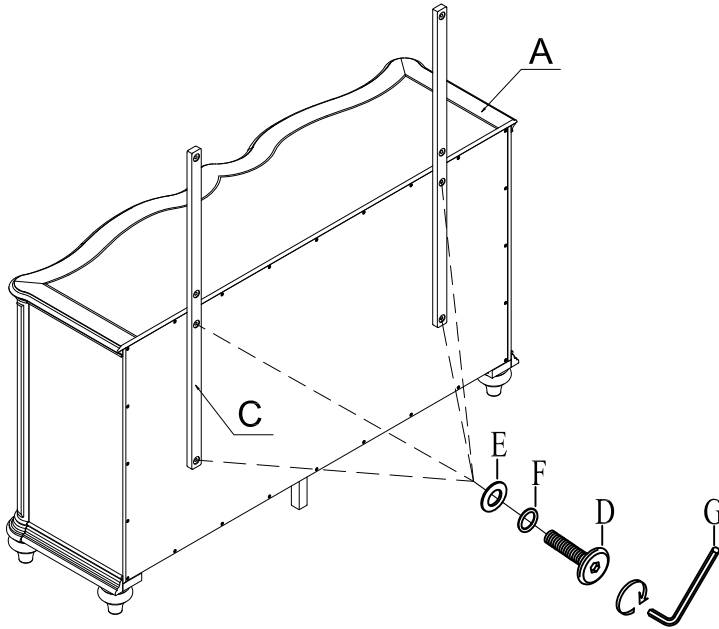
This page lists all the contents included in the box. Please take time to identify the hardware as well as the individual components to this product. As you unpack and prepare for assembly, place the contents on a carpeted or padded area to protect them from damage.





Cleaning & Care

Treat surface with care. Clean surfaces with a dry or damp soft cloth. Do not use abrasive cleaners. Hardware may loosen over time. Periodically check that all connections are tight.

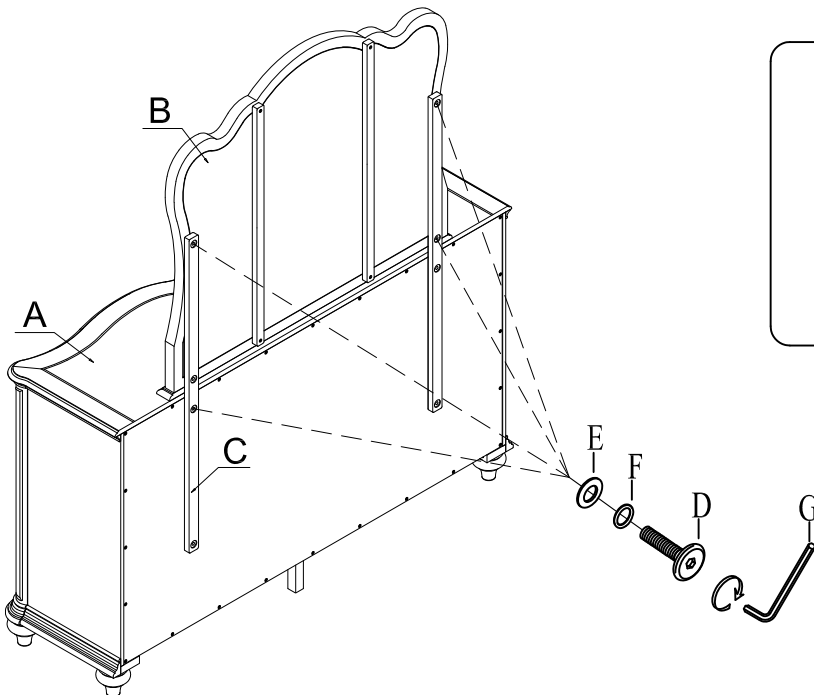
Made in Vietnam





1 Assemble the wooden mirror supports (C) to the dresser (A) with 4 pcs bolt (D), 4 pcs flat washer (E) and 4pcs spring washer (F) tighten using allen key (G).



D		4 pcs
E		4 pcs
F		4 pcs
G		

2 Assemble the mirror (B) wooden mirror support (C) with 4pcs bolt (D), 4pcs flat washer (E) and 4pcs spring washer (F) tighten using allen key (G)



D		4 pcs
E		4 pcs
F		4 pcs
G		

Cleaning & Care

Treat surface with care. Clean surfaces with a dry or damp soft cloth. Do not use abrasive cleaners. Hardware may loosen over time. Periodically check that all connections are tight.

Made in Vietnam