



ASSEMBLY INSTRUCTION

1638K-1EK KING BED

HOMELEGANCE

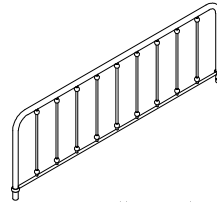
PART LIST:



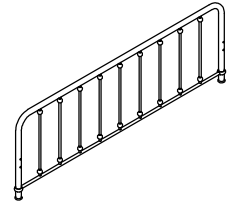
A:Headboard Leg
1PC



B:Headboard Leg
1PC



C:Headboard
1PC



D:Footboard
1PC



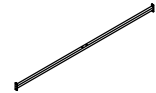
E:Front Rail
Section
2PCS



F:Rear Rail
Section
2PCS



G:Front / Rear
Support Bar
2PCS



H:Center Support
Bar
1PC



I:Front Center
Rail
1PC



J:Rear Center
Rail
1PC



K:Rail Support
Legs
2PCS



L:Center Support
Legs
3PCS



M:Slat
16PCS



N:Slat Connector
32PCS

HARDWARE LIST:



1: Bolt 1/4*16mm
X 28pcs



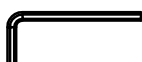
2: Bolt 1/4*46mm
X 8pcs



3: Bolt 1/4*36mm
X 2pcs



4: Nut 1/4
X 6pcs



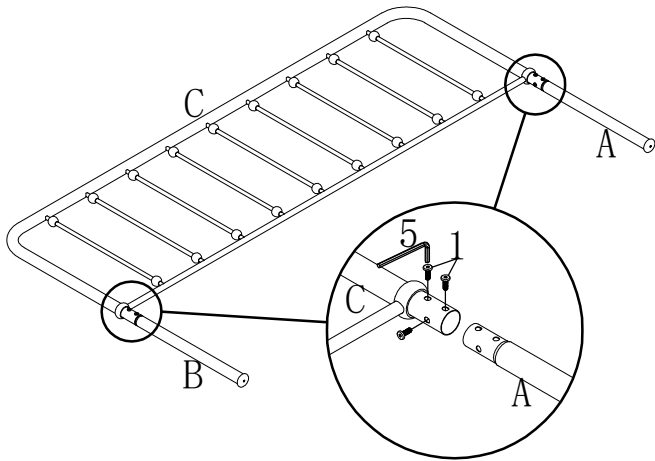
5: Allen Key
X 1pc



6: Wrench
X 1PC

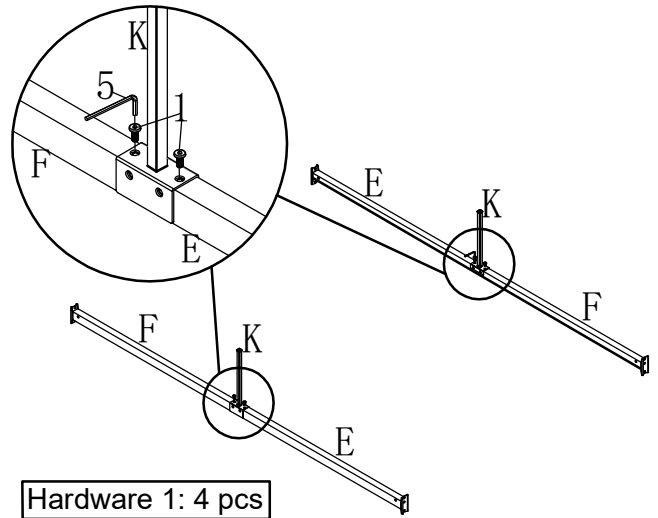
Note: Please do not tighten all bolts until the bed is assembled completely.

STEP 1



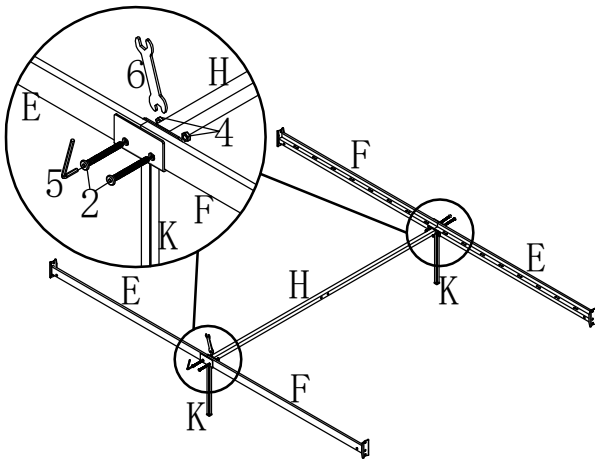
Hardware 1: 6 pcs

STEP 2



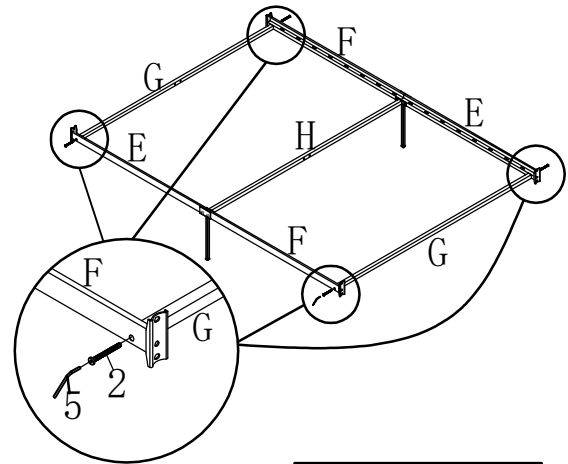
Hardware 1: 4 pcs

STEP 3



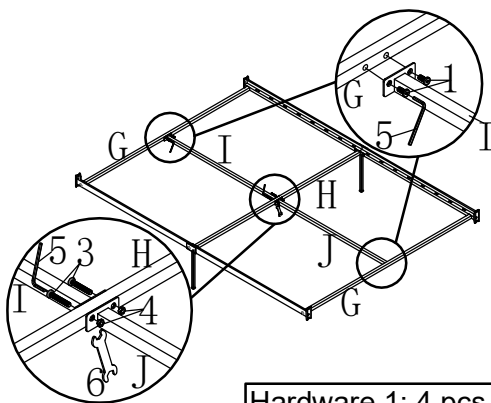
Hardware 2: 4 pcs
Hardware 4: 4 pcs

STEP 4



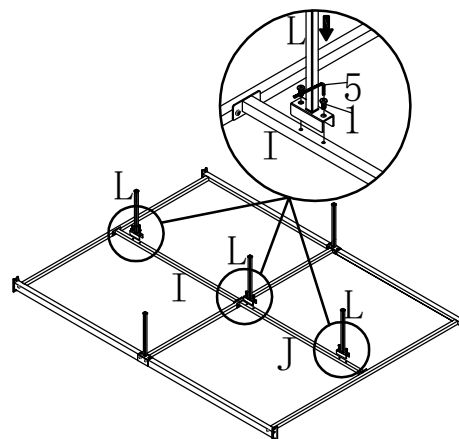
Hardware 2: 4 pcs

STEP 5



Hardware 1: 4 pcs
Hardware 3: 2 pcs
Hardware 4: 2 pcs

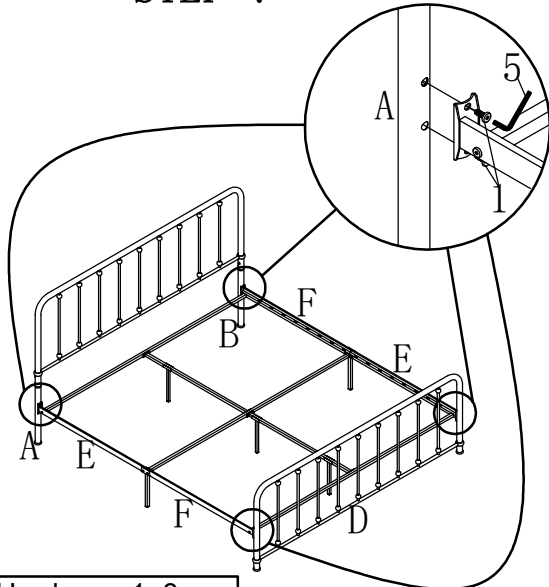
STEP 6



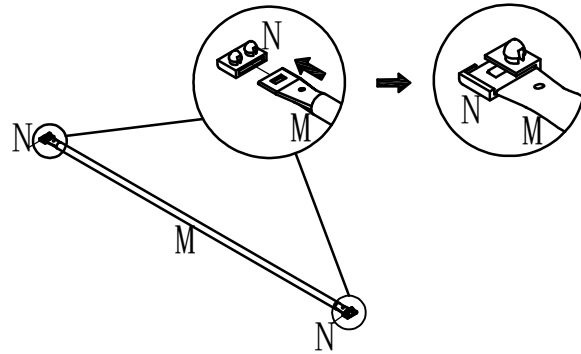
Hardware 1: 6 pcs

Note: Please do not tighten all bolts until the bed is assembled completely.

STEP 7

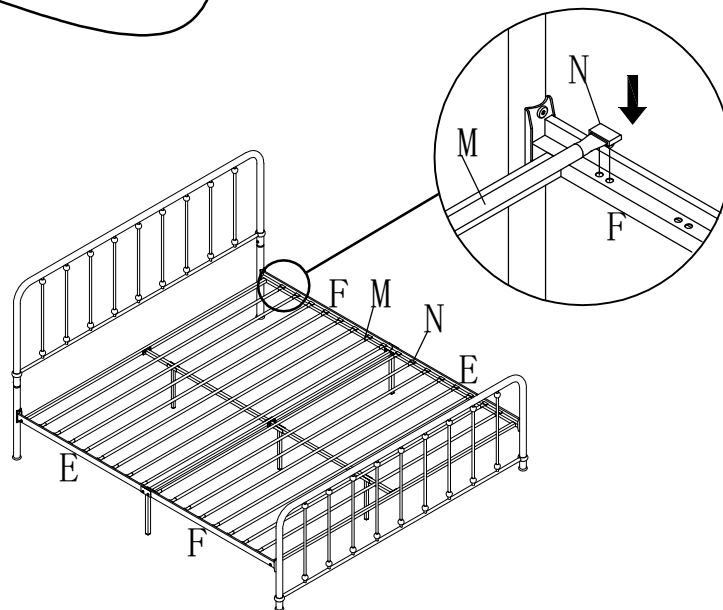


STEP 8

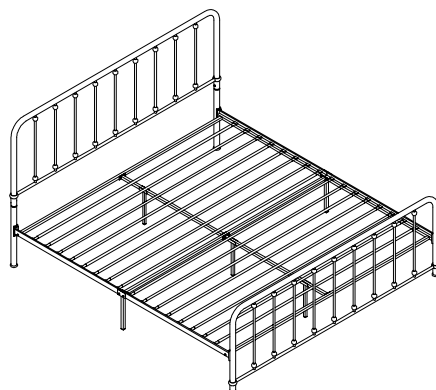


Hardware 1: 8 pcs

STEP 9



COMPLETED



For items use on wooden floor, hard surfaces or carpets, it is recommended to install protective pads under all legs and supports to avoid/prevent from damages/scratches and discoloration.