



Assembly Instruction

ITEM#: 1575K-1 EK/CK HEADBOARD

1575K-2 EK/CK FOOTBOARD W/(18) SLATS & (12) SUPPORT LEGS

1575-3 QUEEN/KING SIDE RAILS

PART LIST

1	HEADBOARD	1 PC
2	HEADBOARD POST LSF	1 PC
3	HEADBOARD POST RSF	1 PC
4	STRETCHER	1 PC
5	FOOT BOARD	1 PC
6	RAIL	2 PCS
7	SLAT	18 PCS
8	SLAT SUPPORT LEG	12 PCS

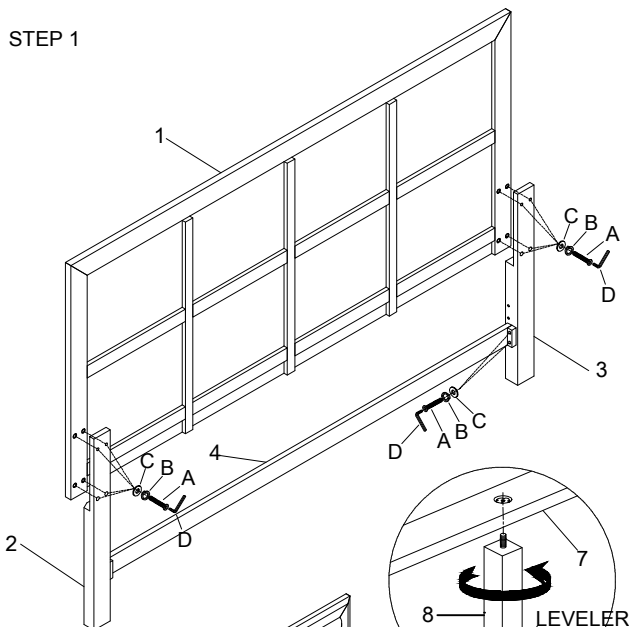
HARDWARE LIST IN -1

A		BOLT \varnothing 5/16"x1-1/2"L	12 PCS
B		SPRING WASHER \varnothing 1/2"x \varnothing 5/16"	12 PCS
C		FLAT WASHER \varnothing 3/4"x \varnothing 5/16"	12 PCS
D		ALLEN KEY 5/16"	1 PC

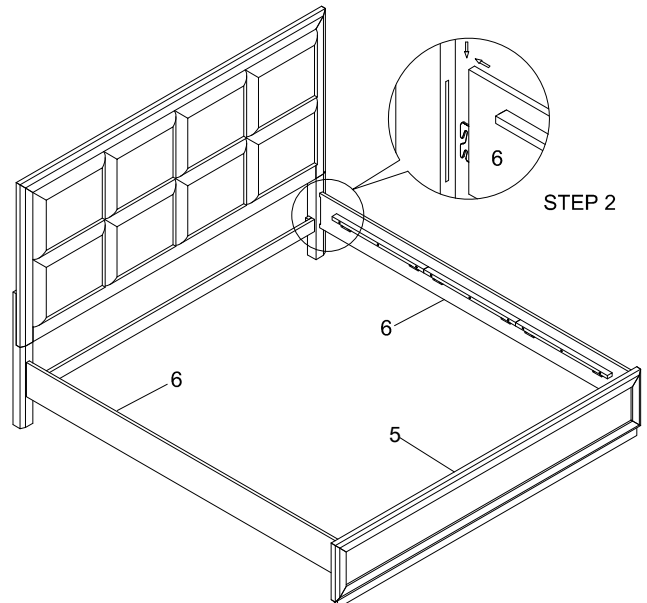
HARDWARE LIST IN -2

E		SCREW 8#x1-1/4"	20 PCS
---	--	-----------------	--------

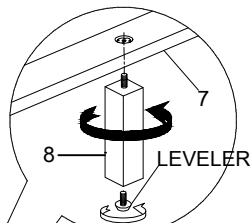
STEP 1



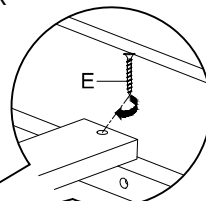
STEP 2



STEP 3



STEP 4



Assembly completed



**For items use on wooden floor hard surfaces or carpets
It is recommended to install protective pads under all legs and supports
to avoid/prevent from damages/scratches and discoloration**

MADE IN VIETNAM